

Andl 4 18200

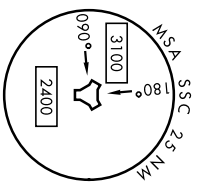
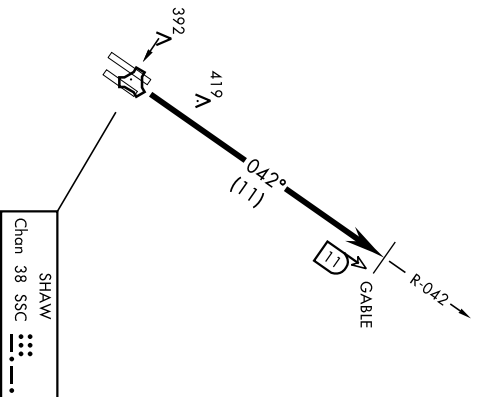
# GABLE-FOUR DEPARTURE (GABLE4 • GABLE)

SHAW AFB (KSSC)  
SUMTER, SOUTH CAROLINA

SHL-409° [USAF]

ATIS ★ 132.125 270.1  
 CLNC DEL  
 126.1 275.8  
 GND CON  
 126.1 275.8  
 SHAW TOWER ★  
 126.65 234.25  
 SHAW DEP CON  
 125.4 318.1  
 JACKSONVILLE CENTER  
 124.7 298.9

A 1573



RWY 4R, Terrain 0 ft inward of DER, 500 ft left of centerline, 236 ft MSL.  
 EMERG SAFE ALT 100 NM 3800

## DEPARTURE ROUTE DESCRIPTION

TAKE-OFF RWY 4R/L: Climbing to 2000, intercept SSC TACAN R-042 until SSC 1.1 DME, then as directed by ATIS.

SE-2, 22 FEB 2024 to 21 MAR 2024

SE-2, 22 FEB 2024 to 21 MAR 2024

# GABLE-FOUR DEPARTURE (GABLE4 • GABLE)

SUMTER, SOUTH CAROLINA  
SHAW AFB (KSSC)

Amhd 4 18200

# PINIE FOUR DEPARTURE (PINIE4•PINIE)

SHAW AFB (KSSC)  
SUMTER, SOUTH CAROLINA

ATIS ★ 132.125 270.1

SHL-409 [USAF]

CLNC DEL

126.1 275.8

GND CON

126.1 275.8

SHAW TOWER ★

126.65 234.25

SHAW DEP CON

125.4 318.1

JACKSONVILLE CENTER

124.7 298.9

1573

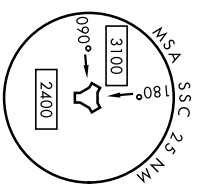
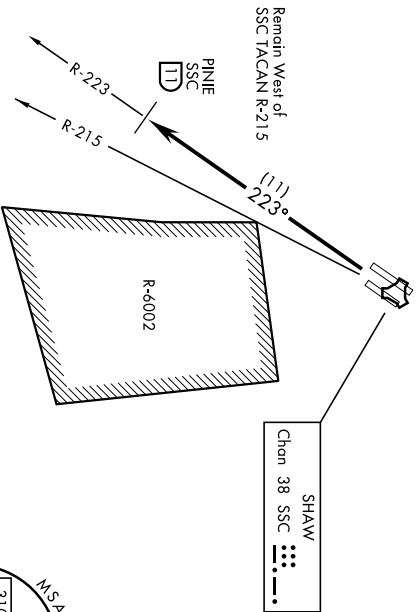
A

RWY 22L, Radio-tower 5137' from DER, 1701' left of centerline, 140' AGL/369' MSL.

RWY 22L, Fl 6 tail 46' from DER, 224' right of centerline, 16' AGL/249' MSL.

RWY 22L, Terrain 0' inward of DER, 500' right of centerline, 236' MSL.

RWY 22L, GS-rwy 0.4L 563' from DER, 500' right of centerline, 40' AGL/273' MSL.



## RADAR REQUIRED

(When R-6002 is active)

EMERG SAFE ALT 100 NM 3800



### DEPARTURE ROUTE DESCRIPTION

TAKE-OFF RWY 22L/R: Climbing to 2000, intercept SSC TACAN R-223 until SSC 1.1 DME, then as directed by ATIS.

# PINIE FOUR DEPARTURE (PINIE4•PINIE)

SUMTER, SOUTH CAROLINA  
SHAW AFB (KSSC)