

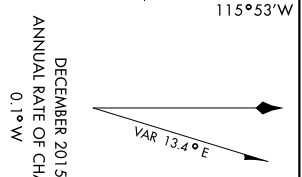
15344

AIRPORT DIAGRAM

AFD-323 [USAF]

MOUNTAIN HOME AFB (KMUO)
MOUNTAIN HOME, IDAHO

ATIS 273.5
 CLNC DEL 127.1 290.425
 GND CON 120.5 275.8
 MOUNTAIN HOME
 TOWER
 133.85 253.5



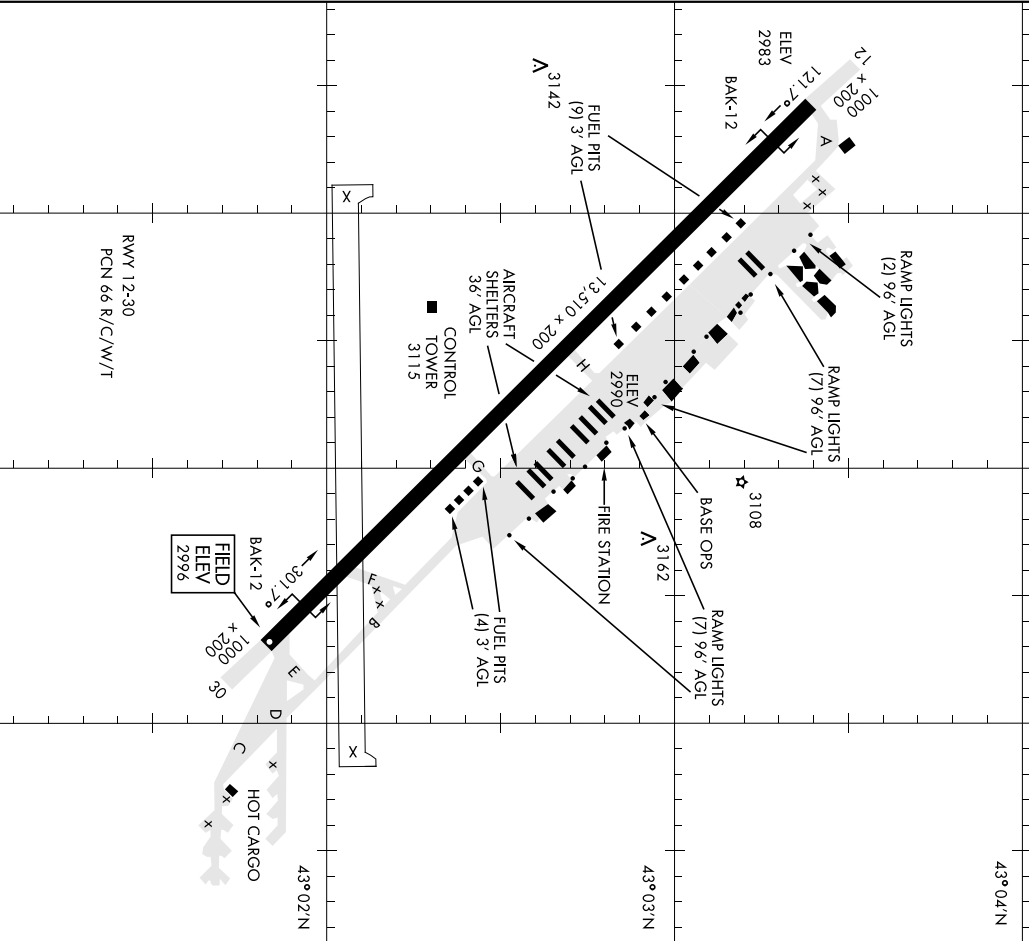
43° 04' N

115° 53' W

115° 52' W

115° 51' W

NW-1, 22 FEB 2024 to 21 MAR 2024



RWY 12-30
 PCN 66 R/C/W/T

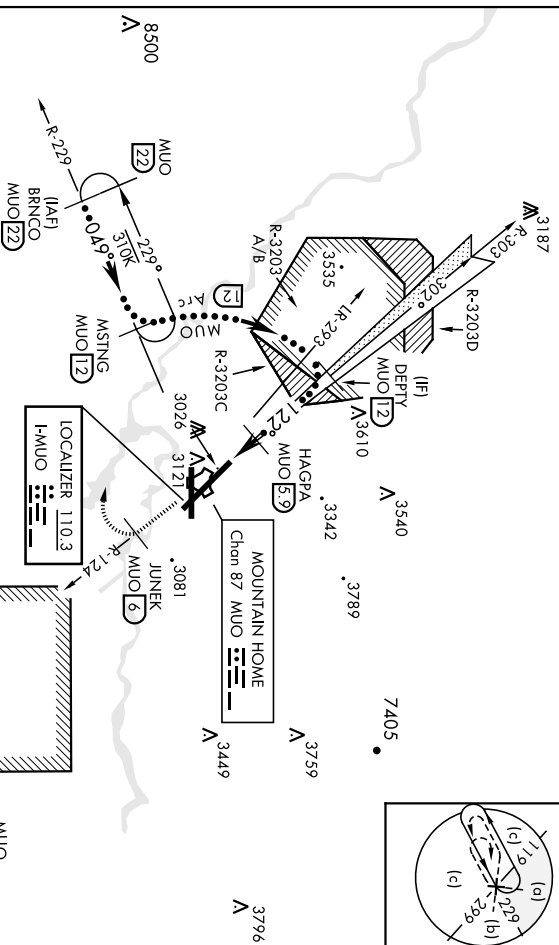
NW-1, 22 FEB 2024 to 21 MAR 2024

AIRPORT DIAGRAM

MOUNTAIN HOME, IDAHO
MOUNTAIN HOME AFB (KMUO)

LOC 1#MUO	APCH CRS	Rev./Idg	13.5110
110.3	122°	TDZE	2987
		App'l Elev	2996
** When ALS Inop., increase CAT CDE RVR to 40 and vis to 3/4 mile. *** When ALS Inop., increase CAT CDE vis to 1 3/8 miles. *** Circling NA NE of Rwy 12-30.		JAL-323 [USA#]	MOUNTAIN HOME AFB (KMMU)
ATIS	MOUNTAIN HOME APP CON	MOUNTAIN HOME TOWER	GND CON
273.5	124.8 259.1	133.85 253.5	120.5 275.8
		127.1 290.425	CINC DEL

ALS#-1
 MISSED APPROACH: Climb to 10,000 via MUO R-124 to JUNEK/6 DME, turn right and intercept MUO R-229 to MSTNG/12 DME and hold. Continue climb to hold to 10,000.
 (A1)



RADAR or DME REQUIRED

EMERG SAFE ALT 100 NM 14,200
 VGSF and ILS glidepath not coincident
 (VGSF Angle 2.50°/TCH 41°)

10,000	JUNEK	MSTNG
MUO	MUO	MUO
R-124	R-229	R-229
6	6	17

ELEV	2996	TDZE	2987
-------------	-------------	-------------	-------------

BRNCO	MSTNG	HAGPA	TACAN
R-229	R-229	R-229	R-229
22	12	59	28
12	12	59	12
10,000	6000	4300	3026
0.49°	1.22°	4.300	3142
5900	4300	4300	3109
Arc	Arc	GS 2.50°	13.610°
17	17	TCH 50	200
			4.7 NM
			564

CATEGORY	C	D	E
S-ILS 12 *	3190/24	203	(200-1/2)
S-LOC 12 ***	3460/50	473	(500-1)
CIRCLING ***	3560-1 1/2	3560-2	3700-2 1/2
	564 (600-1/2)	564 (600-2)	704 (800-2 1/2)

HILLS or LOC Y RWY 12

LOC I-BRN	APCH CRS	Rwy/Idg	13.5/10
111.7	302°	TDZE	2996
		Appr Elev	2996

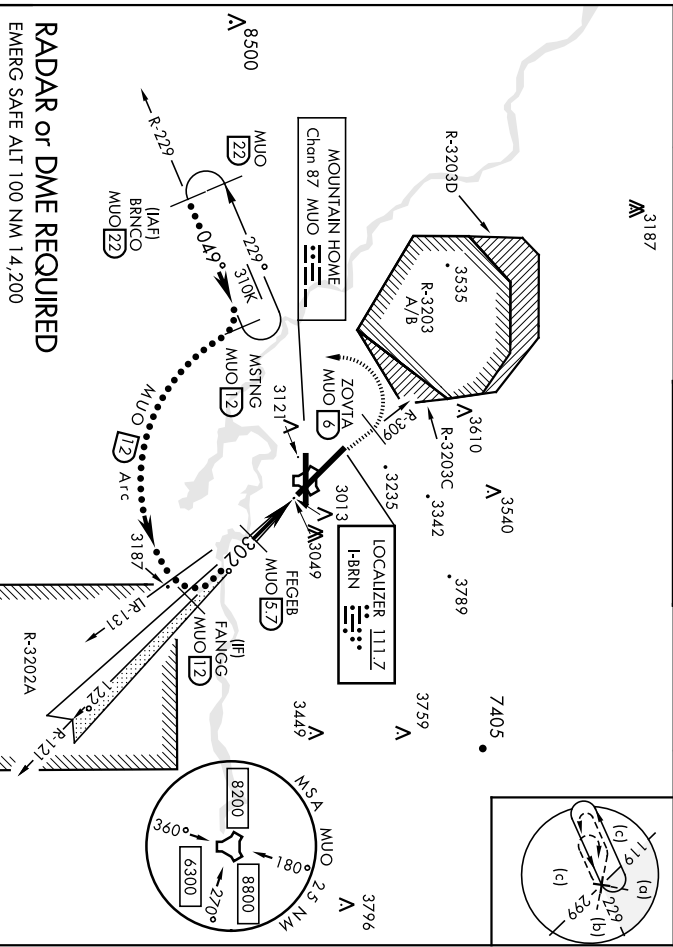
JAL-323 [USAF]

MOUNTAIN HOME AFB (KMUO)

ATIS	MOUNTAIN HOME APP CON	MOUNTAIN HOME TOWER	GND CON	CINC DEL
273.5	124.8 259.1	133.85 253.5	120.5 275.8	127.1 290.425

▲ When ALS Inop, increase CAT CDE RVR to 47 and vis to 1 mile.
 *** When ALS Inop, increase CAT CDE vis to 1 3/8 miles.
 *** Circling NA NE of Rwy 12-30.

▲1 MISSED APPROACH: Climb to 10,000 via MUO R-309 to ZOVTA/6 DME, turn left and Inrp MUO R-229 to MSTNG/12 DME and hold. Continue climb in hold to 10,000.



RADAR or DME REQUIRED
 EMERG SAFE ALT 100 NM 14,200

ELEV 2996	TDZE 2996	10,000	ZOVTA	MSTNG	VGSI and ILS glidepaths not coincident (VGSI Angle 2.50/TCH 40).
		MUO R-309	MUO 6	MUO R-229	
			MUO R-229	MUO 12	

CATEGORY	C	D	E
S-ILS 30 *	3246/40	250 (300-341)	
S-LOC 30 **	3460/50	464 (500-11)	
☑ CIRCLING ***	3560-1 1/2 564 (600-1 1/2)	3560-2 564 (600-2)	3700-2 1/2 704 (800-2 1/2)

HRL Rwy 12-30
 MOUNTAIN HOME, IDAHO
 Andh 3 18UN20
 43°03'N-115°52'W
 MOUNTAIN HOME AFB (KMUO)

HILLS or LOC Y RWY 30

MOUNTAIN HOME, IDAHO

HI-TACAN Y RWY 12 20198

TACAN MUO Chan 87	APCH CRS 129°	Req'd Idg 13.510
	TDZE 2987	
	Appt Elev 2996	

JAL-323 [USAF]

MOUNTAIN HOME AFB (KMUO)

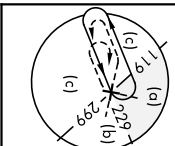
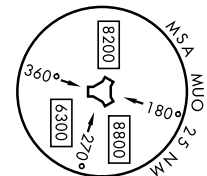
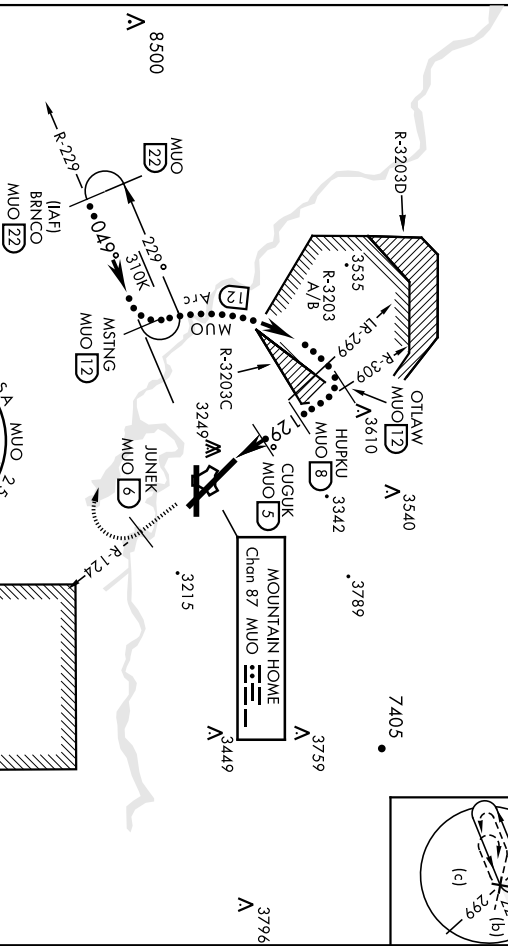
▲ * When AIS inop, increase CAT CDE vis to 1 1/2 miles.
** Circling N/A NE of Rwy 12-30.

AISF-1
⚡

MISSED APPROACH: Climb to 10,000 via MUO R-124 to JUNEK/6 DME turn right and intercept MUO R-229 to MSTNG/12 DME and hold. Continue climb in hold to 10,000.

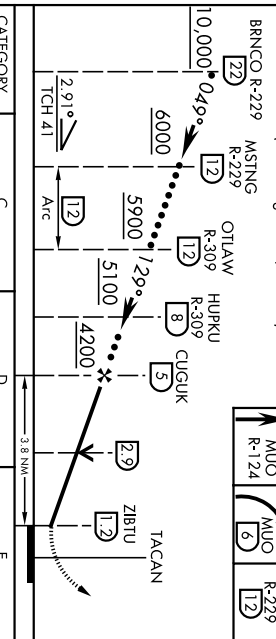
ATIS 273.5	MOUNTAIN HOME APP CON	MOUNTAIN HOME TOWER	GND CON	CINC DEL
	124.8 259.1	133.85 253.5	120.5 275.8	127.1 290.425

3187 **M**



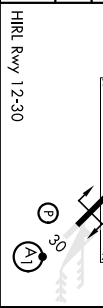
EMERG SAFE ALT 100 NM 14,200

VGSI and descent angles not coincident!
(VGSI Angle 2.50/TCH 41).



ELEV 2996	TDZE 2987
-----------	-----------

CATEGORY	C	D	E
S-12 *	3480/50	493 (500-1)	
G CIRCLING **	3560-1 1/2 564 (600-1 1/2)	3560-2 564 (600-2)	3700-2 1/2 704 (800-2 1/2)



MOUNTAIN HOME, IDAHO MOUNTAIN HOME AFB (KMUO)
 Arr'd 3 18JUN20 HI-TACAN Y RWY 12
 43°03'N-115°52'W

HI-TACAN Y RWY 30

TACAN MUO Chan 87	APCH CRS 295°	Rwy Idg 2996	TDZE 2996	Appt Elev 2996
----------------------	-------------------------	-----------------	--------------	-------------------

JAL-323 [USAF]

MOUNTAIN HOME AFB (KMUO)

▲ When AIS Inop, Increase CAT COE vis to 1% miles.
 ** Circling NA NE of Rwy 12-30.



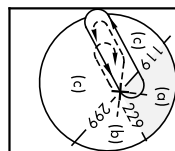
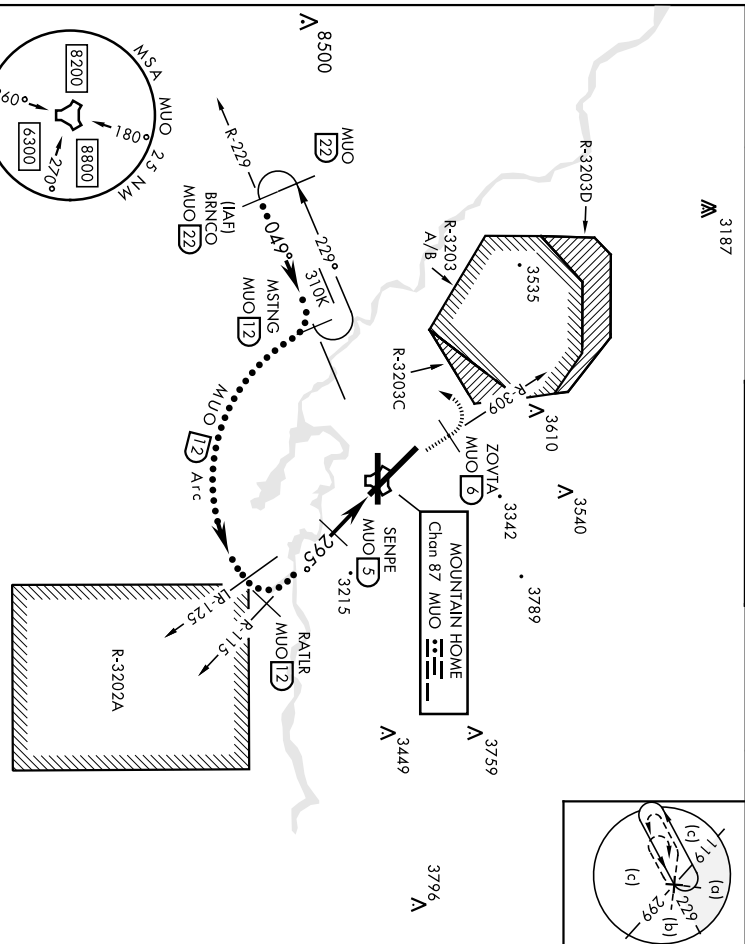
MISSED APPROACH: Climb to 10,000 via MUO R-309 to ZOYTA/6 DME, turn left and intercept MUO R-229 to MSTNG/1/2 DME and hold. Continue climb in hold to 10,000.

ATIS 273.5	MOUNTAIN HOME APP CON 124.8 259.1
----------------------	---

MOUNTAIN HOME TOWER 133.85 253.5
--

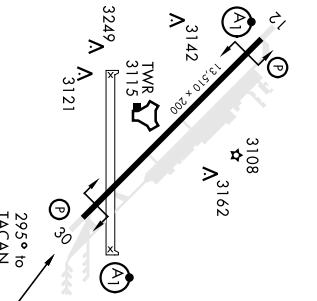
GND CON 120.5 275.8

CINC DEL 127.1 290.425



EMERG SAFE ALTI 100 NM 14,200	ELEV 2996	TDZE 2996
-------------------------------	-----------	-----------

10,000 MUO R-309 6	ZOYTA MUO R-229 12	MSTNG R-229 12	RATIR R-115 12	MSTNG R-229 12	BRNCO R-229 22	10,000
TACAN JERLU 1D	SENPE 5	4100	5000	6100	10,000	
CATEGORY		C		D		E
S-30 *		3480/50		484 (500-1)		
CIRCLING **		3560-1 1/2		3560-2		3700-2 1/2
		564 (600-1 1/2)		564 (600-2)		704 (800-2 1/2)



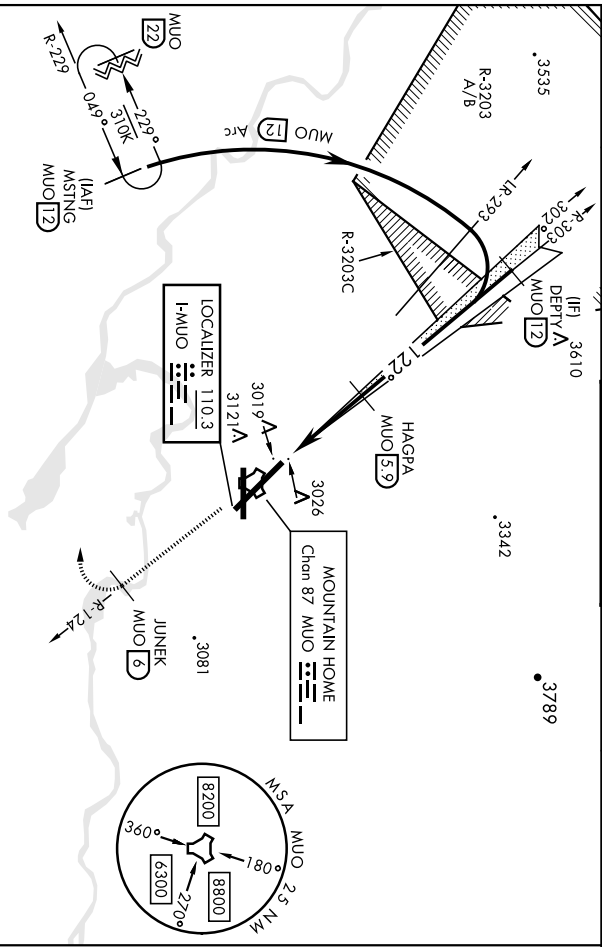
MOUNTAIN HOME, IDAHO
 MOUNTAIN HOME AFB (KMUO)
 And 3 12SEP19

HI-TACAN Y RWY 30

ILS or LOC Z RWY 12

MOUNTAIN HOME AFB (KMUU)

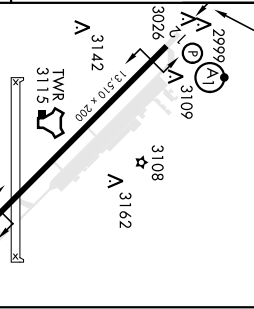
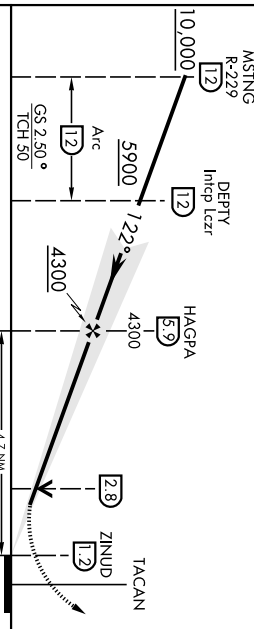
LOC I-MUO	APCH CRS	Rwy Idg	13.5/10	AL-323 [USAF]	MISSED APPROACH: Climb to 10,000 via MUO R-124 to JUNEK/6 DME, turn right and intercept MUO R-229 to M5TNG/12 DME and hold. Continue climb in hold to 10,000. *** Circling NA NE of rwy 12-30.
110.3	122°	TDZE	2987		
		Appr Elev	2996		
ATIS	MOUNTAIN HOME APP CON	MOUNTAIN HOME TOWER	133.85 253.5	GND CON	CINC DEL
273.5	124.8 259.1	138.85 253.5	120.5 275.8	127.1 290.425	



RADAR or DME REQUIRED
EMERG SAFE ALT 100 NM 14,200

VGSI and ILS glidepath not coincident (VGSI Angle 2.50/TCH 411).	10,000 MUO R-124	JUNEK MUO R-229	M5TNG MUO R-229

ELEV 2996	TDZE 2987



CATEGORY	A	B	C	D	E
S-ILS 12 **		3190/24	203 (200-1/2)		
S-LOC 12 **	3460/24	473 (500-1/2)	3460/50	473	
CIRCLING ***	3520-1	3560-1	3560-1 1/2	3560-2	3700-2 1/2
	524 (600-1)	564 (600-1)	564 (600-1 1/2)	564 (600-2)	704 (800-2 1/2)

MOUNTAIN HOME, IDAHO
43°03'N-115°52'W
MOUNTAIN HOME AFB (KMUU)
Arndt 4 18JUN20
ILS or LOC Z RWY 12

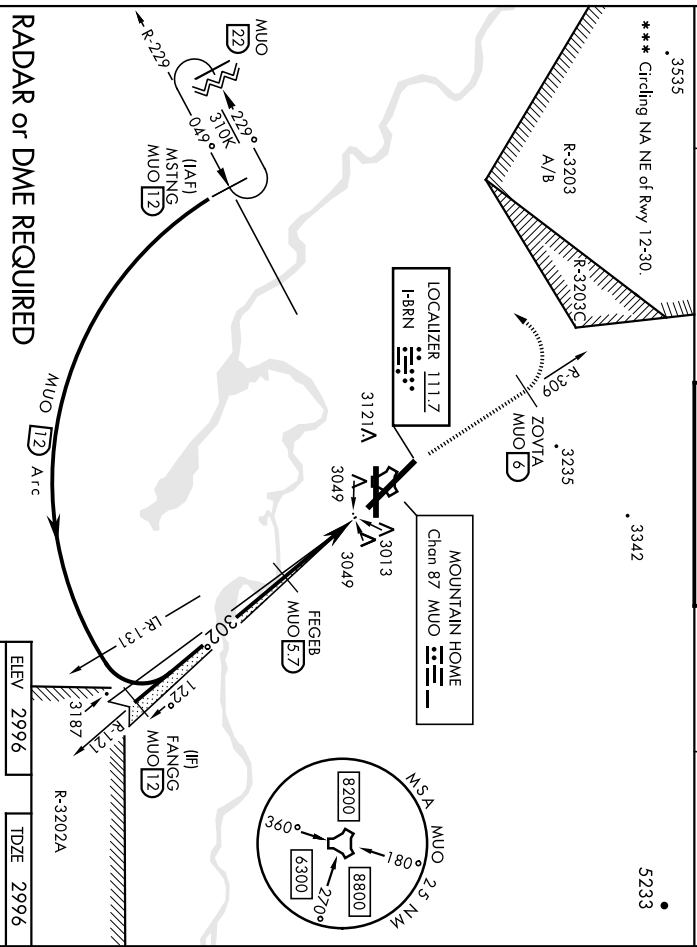
AL-323 [USAF]

MOUNTAIN HOME AFB (KMUO)

LOC I-BRN 111.7	APCH CRS 302°	Rwy Idg TDZE App'l Elev 2996	AL-323 [USAF]	MISSED APPROACH: Climb to 10,000 via MUO R-309 to vis to 1 mile. ** When A1S Inop, increase CAT AB RVR to 55 and vis to 1 mile. *** When A1S Inop, increase CAT AB RVR to 55 and vis to 1 mile. CAT CDE vis to 1/8 miles.	A1	ILS-1 ZOVYA/6 DME: turn left and intercept MUO R-229 to MSTNG/ 1.2 DME end hold. Continue climb in hold to 10,000.
ATIS 273.5	MOUNTAIN HOME APP CON 124.8 259.1	MOUNTAIN HOME TOWER 133.85 253.5	GND CON 120.5 275.8	CINC DEL 127.1 290.425		

*** Circling NA NE of Rwy 12-30.

5233



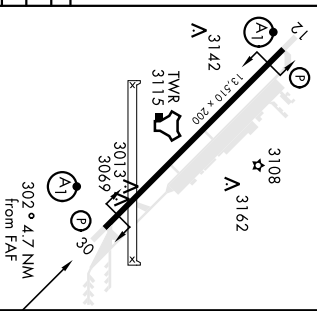
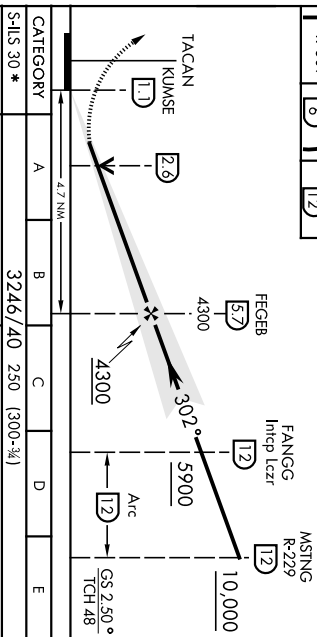
NW-1, 22 FEB 2024 to 21 MAR 2024

NW-1, 22 FEB 2024 to 21 MAR 2024

RADAR or DME REQUIRED

EMERG SAFE ALT 100 NM 14,200

10,000	ZOVYA MUO	MSTNG MUO	VGSI and ILS glidepath not coincident (VGSI Angle 2.50/TCH 40).
R-309	MUO 6	R-229 12	



CATEGORY	A	B	C	D	E
SLIS 30 *	3246/40 250 (300-3/4)				
S-LOC 30 **	3460/24 464 (500-1/2)	3460/50 464 (500-1)			

CIRCLING ***	3520-1	3560-1	3560-1 1/2	3560-2	3700-2 1/2
	574 (600-1)	564 (600-1)	564 (600-1 1/2)	564 (600-2)	704 (800-2/4)

MOUNTAIN HOME, IDAHO

43°03'N-115°52'W

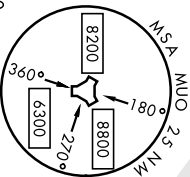
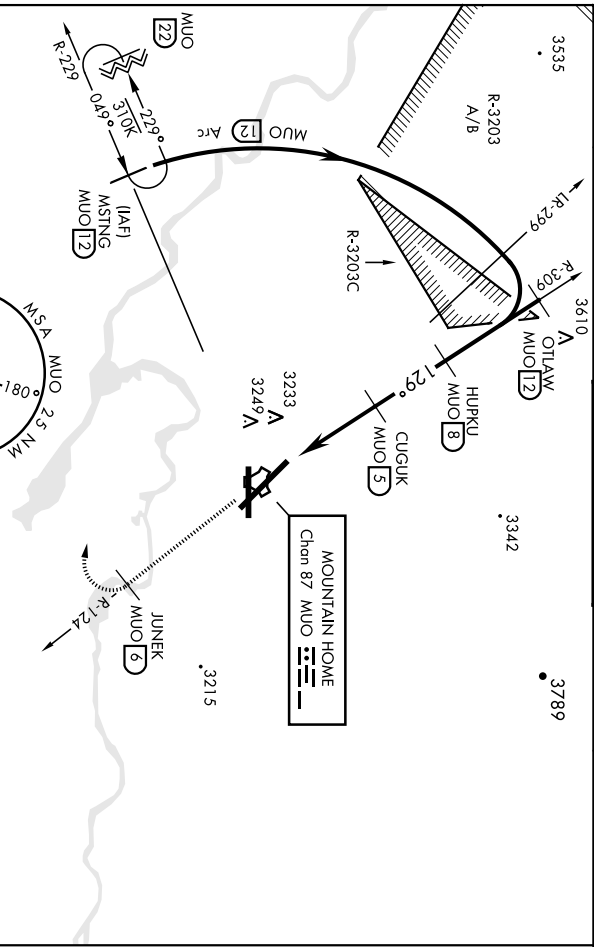
MOUNTAIN HOME AFB (KMUO)

Archt 3 18JUN20

ILS or LOC Z RWY 30

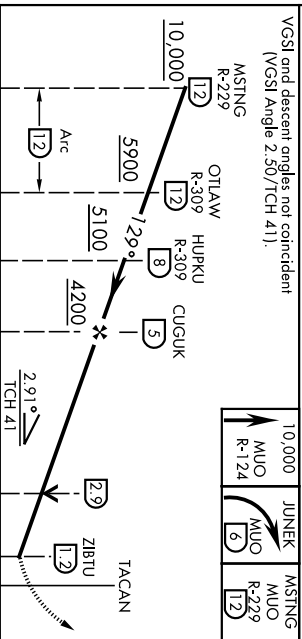
TACAN Z RWY 12

TACAN MUO Chon 87	APCH CRS 129°	Rwy Idg TDZE 2987 Appl Elev 2996	AL-323 (USAF)	MISSED APPROACH: Climb to 10,000 via MUO R-124 to JUNEK/6 DME, turn right and intercept MUO R-229 to M5TING/1.2 DME and hold. Continue climb in hold to 10,000	GND CON	CINC DEL
ATIS 273.5	MOUNTAIN HOME APP CON	124.8 259.1	ALSF-1 	MOUNTAIN HOME TOWER 133.85 253.5	120.5 275.8	127.1 290.425

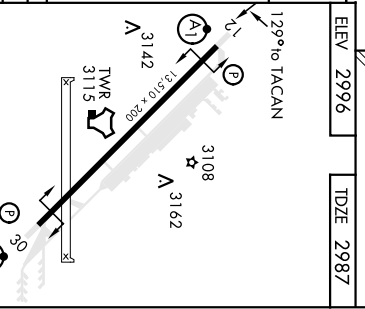


EMERG SAFE ALT 100 NM 14,200

VGSI and descent angles not coincident (VGSI Angle 2.50/TCH 41)



CATEGORY	A	B	C	D	E
S-12 *	3480/40 493 (500-34)	3560-1	3480/50 493 (500-1)		
CIRCLING **	3520-1 (600-1) 524 (600-1)	3560-1 (600-1) 564 (600-1)	3560-1 1/2 (600-1 1/2) 564 (600-2)	3700-2 1/2 (800-2 1/2) 704 (800-2 1/2)	

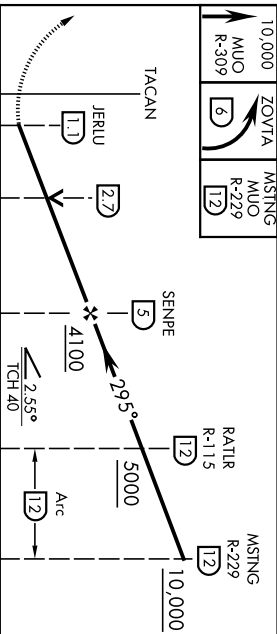
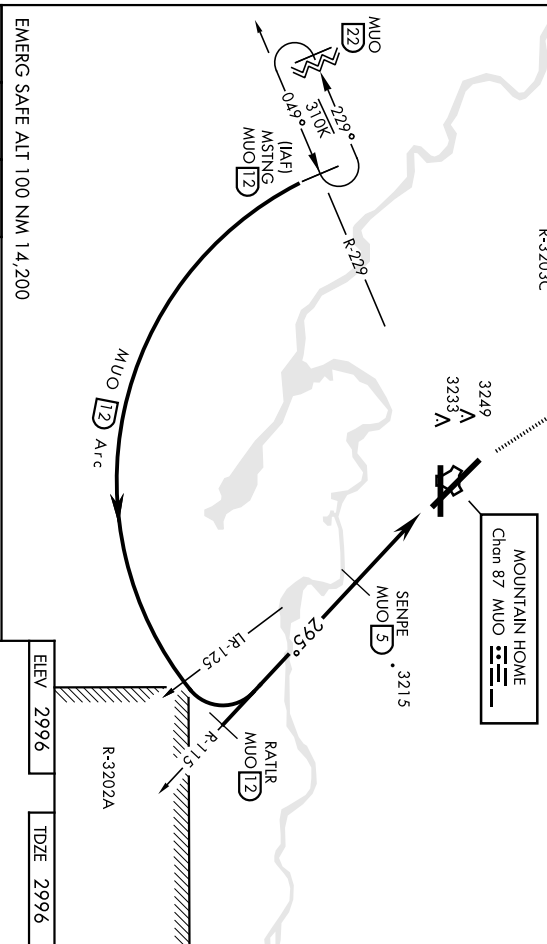
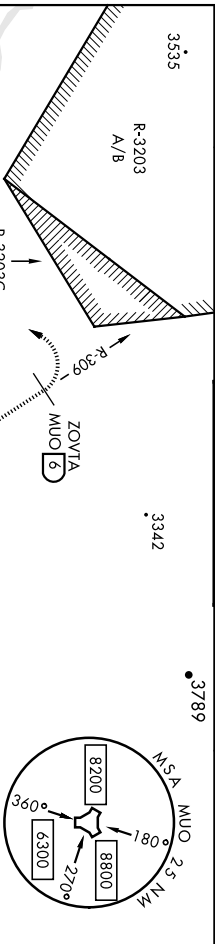


MOUNTAIN HOME, IDAHO
43°03'N-115°52'W

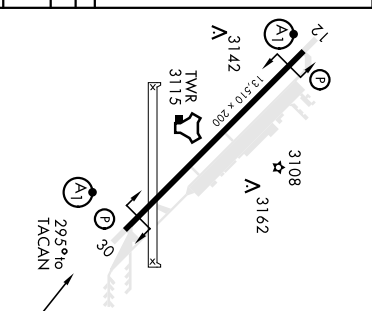
MOUNTAIN HOME AFB (KMUU)
TACAN Z RWY 12

MOUNTAIN HOME AFB (KMUU)
TACAN Z RWY 12

TACAN MUO Chan 87	APCH CRS 295°	Rwy Idg TDZE App'l Elev	13,510 2996 2996	AL-323 [USAF]	MOUNTAIN HOME AFB (KMUO)
ATIS 273.5	MOUNTAIN HOME APP CON	124.8 259.1	ALSF-1 A1	MISSED APPROACH: Climb to 10,000 via MUO R-309 to ZOYTA/6 DME, turn left and intercept MUO R-229 to MASTING/12 DME and hold. Continue climb in hold to 10,000.	MOUNTAIN HOME TOWER 133.85 253.5
					GND CON 120.5 275.8
					CINC DEL 127.1 290.425



CATEGORY	A	B	C	D	E
S-30 *	3480/24 484 (500-½)	3560-1	3480/50 484 (500-1)	3560-2 484 (500-1)	3700-2½
CIRCLING **	524 (600-1)	564 (600-1)	564 (600-1½)	564 (600-2)	704 (800-2½)



MOUNTAIN HOME, IDAHO
 43°03'N-115°52'W
 MOUNTAIN HOME AFB (KMUO)
 Amdt 3 17AUG17
 TACAN Z RWY 30

TAKEOFF MINIMUMS, (OBSTACLE) DEPARTURE PROCEDURES, AND DIVERSE VECTOR AREA (RADAR VECTORS)

24025

INSTRUMENT APPROACH PROCEDURE CHARTS

IFR TAKEOFF MINIMUMS AND (OBSTACLE) DEPARTURE PROCEDURES

Civil Airports and Selected Military Airports

ALL USERS: Airports that have Departure Procedures (DPs) designed specifically to assist pilots in avoiding obstacles during the climb to the minimum enroute altitude, and/or airports that have civil IFR takeoff minimums other than standard, are listed below. Takeoff Minimums and Departure Procedures apply to all runways unless otherwise specified. An entry may also be listed that contains only Takeoff Obstacle Notes. Altitudes, unless otherwise indicated, are minimum altitudes in MSL.

DPs specifically designed for obstacle avoidance are referred to as Obstacle Departure Procedures (ODPs) and are textually described below, or published separately as a graphic procedure. If the ODP is published as a graphic procedure, its name will be listed below, and it can be found in either this volume (civil), or the applicable military volume, as appropriate. Users will recognize graphic obstacle DPs by the term "(OBSTACLE)" included in the procedure title; e.g., TETON TWO (OBSTACLE). If not specifically assigned an ODP, SID, or RADAR vector as part of an IFR clearance, an ODP may be required to be flown for obstacle clearance, even though not specifically stated in the IFR clearance. When doing so in this manner, ATC should be informed when the ODP being used contains a specified route to be flown, restrictions before turning, and/or altitude restrictions.

Some ODPs, which are established solely for obstacle avoidance, require a climb in visual conditions to cross the airport, a fix, or a NAVAID in a specified direction, at or above a specified altitude. These procedures are called Visual Climb Over Airport (VCOA). To ensure safe and efficient operations, the pilot must verbally request approval from ATC to fly the VCOA when requesting their IFR clearance.

At some locations where an ODP has been established, a diverse vector area (DVA) may be created to allow RADAR vectors to be used in lieu of an ODP. DVA information will state that headings will be as assigned by ATC and climb gradients, when applicable, will be published immediately following the specified departure procedure.

Graphic DPs designed by ATC to standardize traffic flows, ensure aircraft separation and enhance capacity are referred to as "Standard Instrument Departures (SIDs)". SIDs also provide obstacle clearance and are published under the appropriate airport section. ATC clearance must be received prior to flying a SID.

CIVIL USERS NOTE: Title 14 Code of Federal Regulations Part 91 prescribes standard takeoff rules and establishes takeoff minimums for certain operators as follows: (1) For aircraft, other than helicopters, having two engines or less – one statute mile visibility. (2) For aircraft having more than two engines – one-half statute mile visibility. (3) For helicopters – one-half statute mile visibility. These standard minima apply in the absence of any different minima listed below.

MILITARY USERS NOTE: Civil (nonstandard) takeoff minima are published below. For military takeoff minima, refer to appropriate service directives.

AFTON, WY

AFTON MUNI (AFO)

TAKEOFF MINIMUMS AND (OBSTACLE) DEPARTURE PROCEDURES

AMDT 1 28SEP06 (06271) (FAA)

DEPARTURE PROCEDURE:

Rwy 16, Use LUNDI DEPARTURE.**Rwy 34**, use AFTON DEPARTURE.

ALBANY, OR

ALBANY MUNI (S12)

TAKEOFF MINIMUMS AND (OBSTACLE) DEPARTURE PROCEDURES

AMDT 2C 24MAR22 (22083) (FAA)

DEPARTURE PROCEDURE:

Rwy 16, climbing right turn direct CVO VOR/DME, thence...**Rwy 34**, climbing left turn direct CVO VOR/DME, thence...

...continue climb in CVO VOR/DME holding pattern (hold east, right turns, 261° inbound) to cross CVO VOR/DME at or above 3400.

TAKEOFF OBSTACLE NOTES:

Rwy 16, lighting 40' from DER, 101' left of centerline, 3' AGL/228' MSL.

Trees, sign beginning 50' from DER, 189' right of centerline, up to 317' MSL.

Tree 58' from DER, 453' left of centerline, 253' MSL.

Trees 339' from DER, 465' left of centerline, 313' MSL.

Trees, poles, sign, electrical system beginning 419' from DER, 5' left of centerline, up to 322' MSL.

Trees, vehicles on road, lighting, poles, electrical system, sign beginning 576' from DER, 20' right of centerline, up to 323' MSL.

Trees, pole beginning 1676' from DER, 128' right of centerline, up to 331' MSL.

Trees, pole beginning 1865' from DER, 3' left of centerline, up to 336' MSL.

Trees beginning 1947' from DER, 148' right of centerline, up to 335' MSL.

Trees 3249' from DER, 1250' left of centerline, 347' MSL.

Rwy 34, building, vehicles on road beginning 58' from DER, 157' left of centerline, up to 26' AGL/250' MSL.

Building 63' from DER, 416' right of centerline, 31' AGL/258' MSL.

Tree 440' from DER, 503' right of centerline, 266' MSL.

Trees, building beginning 465' from DER, 280' right of centerline, up to 270' MSL.

Tree, pole beginning 684' from DER, 69' right of centerline, up to 271' MSL.

CON'T

TAKEOFF MINIMUMS, (OBSTACLE) DEPARTURE PROCEDURES, AND DIVERSE VECTOR AREA (RADAR VECTORS)

24025

NW-1

TAKEOFF MINIMUMS, (OBSTACLE) DEPARTURE PROCEDURES, AND DIVERSE VECTOR AREA (RADAR VECTORS)

24025

ALBANY, OR (CON'T)

ALBANY MUNI (S12) (CON'T)

Rwy 34 (CON'T), tree 776' from DER, 233' left of centerline, 254' MSL.
Trees, poles beginning 904' from DER, 21' left of centerline, up to 38' AGL/260' MSL.
Trees, poles beginning 944' from DER, 104' right of centerline, up to 283' MSL.
Poles beginning 996' from DER, 16' left of centerline, up to 40' AGL/262' MSL.
Trees beginning 1155' from DER, 74' left of centerline, up to 306' MSL.
Trees beginning 1167' from DER, on centerline, up to 296' MSL.
Trees beginning 1615' from DER, 9' right of centerline, up to 301' MSL.
Trees beginning 1807' from DER, 307' right of centerline, up to 305' MSL.
Trees beginning 1858' from DER, 9' right of centerline, up to 312' MSL.
Trees beginning 2098' from DER, 303' right of centerline, up to 337' MSL.
Tree 2236' from DER, 810' right of centerline, 359' MSL.
Trees beginning 2294' from DER, 583' right of centerline, up to 372' MSL.
Trees beginning 3019' from DER, 375' left of centerline, up to 310' MSL.
Tree 3097' from DER, 319' left of centerline, 312' MSL.
Tree 3129' from DER, 243' left of centerline, 318' MSL.
Tree 3178' from DER, 341' left of centerline, 327' MSL.

ANACONDA, MT

BOWMAN FLD (3U3)

TAKEOFF MINIMUMS AND (OBSTACLE) DEPARTURE PROCEDURES

AMDT 1 05JUL07 (21112) (FAA)

TAKEOFF MINIMUMS:

Rwy 4, std. w/min. climb of 417' per NM to 9000, or 2800-3 for climb in visual conditions.
Rwy 17, std. w/min. climb of 321' per NM to 10200, or 2800-3 for climb in visual conditions.
Rwy 22, NA - Obstacles.

Rwy 35, std. w/min. climb of 369' per NM to 9100, or 2800-3 for climb in visual conditions.

DEPARTURE PROCEDURE:

Rwys 4, 35, climbing right turn to 10200 via heading 130° and CPN VOR/DME R-340 to CPN VOR/DME, continue climb-in-hold to 10200 (north, left turn, 166° inbound), or for climb in visual conditions, cross Bowman Fld airport at or above 7700 then proceed via CPN R-309 to CPN VOR/DME, continue climb-in-hold to 10200 (north, left turn, 166° inbound).
Rwy 17, climbing left turn to 10200 via heading 100° and CPN VOR/DME R-335 to CPN VOR/DME, continue climb-in-hold to 10200 (north, left turn, 166° inbound), or for climb in visual conditions, cross Bowman Fld airport at or above 7700 then proceed via CPN R-309 to CPN VOR/DME, continue climb-in-hold to 10200 (north, left turn, 166° inbound).

TAKEOFF OBSTACLE NOTES:

Rwy 17, multiple trees beginning 865' from DER, 243' left of centerline, up to 70' AGL/5097' MSL.
Rod on hangar 570' from DER, 278' left of centerline, 54' AGL/5054' MSL.
Multiple trees beginning 787' from DER, 165' right of centerline, up to 70' AGL/5098' MSL.
Multiple transmission lines beginning 4602' from DER, 1664' right of centerline, 80' AGL/5159' MSL.
Rwy 35, multiple transmission lines beginning 2242' from DER, 964' left of centerline, up to 80' AGL/5159' MSL.

ARCO, ID

ARCO-BUTTE COUNTY (AOC)

TAKEOFF MINIMUMS AND (OBSTACLE) DEPARTURE PROCEDURES

AMDT 1 05JUN08 (08157) (FAA)

TAKEOFF MINIMUMS:

Rwy 6, NA - Obstacles.

DEPARTURE PROCEDURE:

Use JATTS DEPARTURE.

ARLINGTON, WA

ARLINGTON MUNI (AWO)

TAKEOFF MINIMUMS AND (OBSTACLE) DEPARTURE PROCEDURES

AMDT 3 25AUG11 (11237) (FAA)

TAKEOFF MINIMUMS:

Rwy 11, std. w/min. climb of 400' per NM to 1000, or 1200-2½ for climb in visual conditions.
Rwy 16, std. w/min. climb of 300' per NM to 1500, or 1200-2½ for climb in visual conditions.
Rwy 29, std. w/min. climb of 245' per NM to 1400, or 1200-2½ for climb in visual conditions.
Rwy 34, std. w/min. climb of 260' per NM to 800, or 1200-2½ for climb in visual conditions.

DEPARTURE PROCEDURE:

Rwy 11, climbing right turn direct WATON LOM, or for climb in visual conditions, cross Arlington Muni at or above 1200 then proceed on 161° course to WATON LOM, thence...
Rwy 16, climb direct WATON LOM, or for climb in visual conditions, cross Arlington Muni at or above 1200 then proceed on 161° course to WATON LOM, thence ...
Rwy 29, climbing left turn on 113° course to WATON LOM, or for climb in visual conditions, cross Arlington Muni at or above 1200 then proceed on 161° course to WATON LOM, thence ...
Rwy 34, climbing left turn on 134° course to WATON LOM, or for climb in visual conditions, cross Arlington Muni at or above 1200 then proceed on 161° course to WATON LOM, thence ...
... Aircraft departing WATON LOM on bearings 150° CW 340° from WATON LOM climb on course. Aircraft departing WATON LOM on bearings 340° CW 150° from WATON LOM, climb in holding pattern (South, left turns, 342° inbound) to cross WATON LOM at or above 4500 before proceeding on course.

CON'T

TAKEOFF MINIMUMS, (OBSTACLE) DEPARTURE PROCEDURES, AND DIVERSE VECTOR AREA (RADAR VECTORS)

24025

NW-1

TAKEOFF MINIMUMS, (OBSTACLE) DEPARTURE PROCEDURES, AND DIVERSE VECTOR AREA (RADAR VECTORS)

24025

ARLINGTON, WA (CON'T) ARLINGTON MUNI (AWO) (CON'T)

TAKEOFF OBSTACLE NOTES:

- Rwy 11**, airport beacon 1116' from DER, 699' left of centerline, 58' AGL/186' MSL.
- Tree 1443' from DER, 803' left of centerline, 108' AGL/236' MSL.
- Tree 1819' from DER, 688' right of centerline, 46' AGL/174' MSL.
- Trees beginning 1.2 NM from DER, left and right of centerline, up to 127' AGL/486' MSL.
- Rwy 16**, tree 1240' from DER, 723' left of centerline, 47' AGL/174' MSL.
- Trees beginning 1289' from DER, 713' right of centerline, up to 87' AGL/214' MSL.
- Rwy 29**, trees beginning 897' from DER, 548' right of centerline, up to 97' AGL/229' MSL.
- Rwy 34**, trees beginning 1557' from DER, left and right of centerline, up to 96' AGL/236' MSL.
- Trees beginning 2379' from DER, 196' right of centerline, up to 84' AGL/224' MSL.

DIVERSE VECTOR AREA (RADAR VECTORS)

AMDT 1 15SEP16 (16259) (FAA)

Rwy 16, heading as assigned by ATC.**Rwy 34**, heading as assigned by ATC; requires min. climb of 260' per NM to 1400.

ASTORIA, OR

ASTORIA RGNL (AST)

TAKEOFF MINIMUMS AND (OBSTACLE) DEPARTURE PROCEDURES

AMDT 7 19JUL18 (18200) (FAA)

DEPARTURE PROCEDURE:

See ASTORIA DEPARTURE.

TAKEOFF OBSTACLE NOTES:

- Rwy 8**, bush 57' from DER, 120' left of centerline, 14' MSL.
- Fence, bushes, trees beginning 65' from DER, 102' left of centerline, up to 17' AGL/27' MSL.
- Fence, bush, trees, beginning 70' from DER, 215' right of centerline, up to 22' MSL.
- Trees, building beginning 151' from DER, 76' right of centerline, up to 36' MSL.
- Trees beginning 207' right of centerline, up to 41' MSL.
- Trees beginning 510' from DER, 79' left of centerline, up to 34' MSL.
- Trees beginning 668' from DER, 281' right of centerline, up to 43' MSL.
- Trees beginning 815' from DER, 336' right of centerline, up to 52' MSL.
- Tree 1112' from DER, 453' right of centerline, 58' MSL.
- Trees beginning 3167' from DER, 1145' right of centerline, up to 119' AGL/124' MSL.
- Rwy 14**, pole 44' from DER, 224' left of centerline, 12' AGL/25' MSL.
- Tree 354' from DER, 381' left of centerline, 67' MSL.
- Tree 524' from DER, 316' right of centerline, 33' MSL.
- Trees beginning 571' from DER, 641' left of centerline, up to 87' MSL.
- Tree 666' from DER, 544' right of centerline, 78' MSL.
- Trees beginning 1255' from DER, 450' right of centerline, up to 121' MSL.
- Tree 1792' from DER, 104' left of centerline, 89' MSL.
- Tree 2493' from DER, 280' left of centerline, 121' MSL.
- Tree 3291' from DER, 312' right of centerline, 154' MSL.
- Tree 1.3 NM from DER, 2289' left of centerline, 100' AGL/249' MSL.
- Tree 1.5 NM from DER, 2813' left of centerline, 100' AGL/299' MSL.
- Tree 1.5 NM from DER, 2950' left of centerline, 100' AGL/349' MSL.
- Tree 2.1 NM from DER, 3088' left of centerline, 100' AGL/399' MSL.
- Tree 2.3 NM from DER, 2635' left of centerline, 100' AGL/449' MSL.
- Tree 2.3 NM from DER, 2875' left of centerline, up to 100' AGL/499' MSL.
- Rwy 26**, terrain 25' from DER, 14' left of centerline, 13' MSL.
- Bushes beginning 38' from DER, 241' left of centerline, up to 16' MSL.
- Trees and bush beginning 42' from DER, 266' right of centerline, up to 18' AGL/27' MSL.
- Traverse way 226' from DER, 439' left of centerline, 24' MSL.
- Trees, bush beginning 247' from DER, 372' right of centerline, up to 30' MSL.
- Trees beginning 695' from DER, 625' left of centerline, up to 54' MSL.
- Tree 736' from DER, 620' right of centerline, 36' MSL.
- Tree 1380' from DER, 720' left of centerline, 58' MSL.
- Tree 1698' from DER, 702' left of centerline, 73' MSL.
- Trees beginning 1975' from DER, 273' left of centerline, up to 92' MSL.
- Sign 1982' from DER, 1010' right of centerline, 64' MSL.
- Tree 2137' from DER, 490' left of centerline, 93' MSL.
- Trees beginning 2239' from DER, 64' left of centerline, up to 102' AGL/107' MSL.
- Tree 3051' from DER, 1157' left of centerline, 116' MSL.
- Tree 3089' from DER, 849' left of centerline, 122' MSL.
- Tree 3140' from DER, 699' left of centerline, 124' MSL.
- Trees beginning 3194' from DER, 248' left of centerline, up to 131' AGL/139' MSL.
- Trees beginning 4022' from DER, 879' right of centerline, up to 130' MSL.
- Trees beginning 4103' from DER, 273' right of centerline, up to 145' MSL.
- Trees beginning 4206' from DER, 150' right of centerline, up to 141' AGL/148' MSL.
- Trees beginning 4250' from DER, 229' left of centerline, up to 146' MSL.
- Trees beginning 4690' from DER, 1267' left of centerline, up to 149' MSL.
- Tree 4744' from DER, 1488' left of centerline, 150' MSL.
- Trees beginning 4821' from DER, 218' left of centerline, up to 164' MSL.

CON'T

TAKEOFF MINIMUMS, (OBSTACLE) DEPARTURE PROCEDURES, AND DIVERSE VECTOR AREA (RADAR VECTORS)

24025

TAKEOFF MINIMUMS, (OBSTACLE) DEPARTURE PROCEDURES, AND DIVERSE VECTOR AREA (RADAR VECTORS)

24025

ASTORIA, OR (CON'T)

ASTORIA RGNL (AST) (CON'T)

Rwy 26 (CON'T), tree 5241' from DER, 1316' left of centerline, 165' MSL.

Trees beginning 5434' from DER, 1603' left of centerline, up to 171' MSL.

Tree 5893' from DER, 1752' left of centerline, 173' MSL.

Trees beginning 6051' from DER, 1803' left of centerline, up to 174' AGL/182' MSL.

Antenna 1 NM from DER, 1558' right of centerline, 164' AGL/173' MSL.

Rwy 32, vehicles, trees, fence beginning 2' from DER, 231' left of centerline, up to 46' MSL.

AUBURN, WA

AUBURN MUNI (S50)

TAKEOFF MINIMUMS AND (OBSTACLE) DEPARTURE PROCEDURES

AMDT 1 31MAR16 (16091) (FAA)

TAKEOFF MINIMUMS:

Use BLAKO (RNAV) DEPARTURE.

DIVERSE VECTOR AREA (RADAR VECTORS)

AMDT 1 10NOV16 (16315) (FAA)

Rwy 16, heading as assigned by ATC; requires minimum climb of 270' per NM to 1000.

Rwy 34, heading as assigned by ATC; requires minimum climb of 390' per NM to 800.

AURORA, OR

AURORA STATE (UAO)

TAKEOFF MINIMUMS AND (OBSTACLE) DEPARTURE PROCEDURES

AMDT 3 15DEC11 (11349) (FAA)

TAKEOFF MINIMUMS:

Rwy 17, std. w/min. climb of 292' per NM to 2100 or 1500-2½ for climb in visual conditions.

Rwy 35, std. w/min. climb of 312' per NM to 2100 or 1500-2½ for climb in visual conditions.

DEPARTURE PROCEDURE:

Rwy 17, climbing right turn, thence ... Or for climb in visual conditions cross Aurora State airport at or above 1500 thence...

Rwy 35, climbing left turn, thence ... Or for climb in visual conditions cross Aurora State airport at or above 1500 thence ...

... Aircraft departing on V23 intercept BTG R-175 and climb on course. All others proceed direct UBG VOR/DME and Hold (hold South, left turns, 003° Inbound) continue climb in hold to cross UBG VOR/DME at or above MEA for direction of flight before proceeding on course.

TAKEOFF OBSTACLE NOTES:

Rwy 17, trees beginning 31' from DER, 246' right of centerline, up to 87' AGL/316' MSL.

Tree 2270' from DER, 836' left of centerline, 87' AGL/303' MSL.

Vehicle on road 254' from DER, 349' left of centerline, 16' AGL/209' MSL.

Rwy 35, trees beginning 30' from DER, 163' left of centerline, up to 65' AGL/329' MSL.

Vehicle on road 212' from DER, 390' left of centerline, 16' AGL/212' MSL.

Trees 973' from DER, 281' right of centerline, up to 65' AGL/253' MSL.

DIVERSE VECTOR AREA (RADAR VECTORS)

ORIG 05MAR15 (15064) (FAA)

Rwy 17, heading as assigned by ATC; requires minimum climb of 375' per NM to 2000.

Rwy 35, heading as assigned by ATC; requires minimum climb of 350' per NM to 2000.

BAKER, MT

BAKER MUNI (BHK)

TAKEOFF MINIMUMS AND (OBSTACLE) DEPARTURE PROCEDURES

AMDT 2 26MAR20 (20086) (FAA)

TAKEOFF OBSTACLE NOTES:

Rwy 13, building, terrain beginning 3' from DER, 496' right of centerline, up to 10' AGL/2996' MSL.

Building 199' from DER, 399' left of centerline, 10' AGL/2988' MSL.

Building 356' from DER, 498' right of centerline, 9' AGL/2997' MSL.

Rwy 31, fence 168' from DER, 498' left of centerline, 2967' MSL.

Building 1015' from DER, 726' left of centerline, 2998' MSL.

Tower 3802' from DER, 148' left of centerline, 115' AGL/3069' MSL.

Antenna 3832' from DER, 135' left of centerline, 3073' MSL.

TAKEOFF MINIMUMS, (OBSTACLE) DEPARTURE PROCEDURES, AND DIVERSE VECTOR AREA (RADAR VECTORS)

24025

TAKEOFF MINIMUMS, (OBSTACLE) DEPARTURE PROCEDURES, AND DIVERSE VECTOR AREA (RADAR VECTORS)

24025

BAKER CITY, OR

BAKER CITY MUNI (BKE)

TAKEOFF MINIMUMS AND (OBSTACLE) DEPARTURE PROCEDURES

AMDT 2 18NOV10 (10322) (FAA)

TAKEOFF MINIMUMS:

Rwy 8, std. w/ min climb of 460' per NM to 6900, or 3700-3 for climb in visual conditions.

Rwy 13, std. w/ min climb of 470' per NM to 6900, or 3700-3 for climb in visual conditions.

Rwy 17, N/A-Environmental.

Rwy 26, std. w/ min climb of 400' per NM to 7200, or 3700-3 for climb in visual conditions.

Rwys 31, 35, std. w/ min climb of 400' per NM to 6900, or 3700-3 for climb in visual conditions.

DEPARTURE PROCEDURE:

Rwy 8, climb heading 081° to 6900, then climbing left turn to BKE VOR/DME R-066 to BKE VOR/DME and hold, continue climb in BKE VOR/DME holding pattern (Hold S, right turns, 338° inbound) to cross BKE VOR/DME at or above MEA/MCA for route of flight, or for climb in visual conditions, cross BKE VOR/DME at or above 6900, then climb-in-hold to at or above MEA/MCA for route of flight.

Rwy 13, climb heading 126° to 6900, then climbing left turn to BKE VOR/DME R-095 to BKE VOR/DME and hold, continue climb in BKE VOR/DME holding pattern (Hold S, right turns, 338° inbound) to cross BKE VOR/DME at or above MEA/MCA for route of flight, or for climb in visual conditions, cross BKE VOR/DME at or above 6900, then climb-in-hold to at or above MEA/MCA for route of flight.

Rwy 26, climbing right turn on heading 330° and BKE VOR/DME R-297 to 7200, then right turn to intercept BKE VOR/DME R-297 to BKE VOR/DME and hold, continue climb in BKE VOR/DME holding pattern (Hold S, right turns, 338° inbound) to cross BKE VOR/DME at or above MEA/MCA for route of flight, or for climb in visual conditions, cross BKE VOR/DME at or above 6900, then climb-in-hold to at or above MEA/MCA for route of flight.

Rwy 31, climb heading 306° to 6900, then climbing right turn to BKE VOR/DME R-322 to BKE VOR/DME and hold, continue climb in BKE VOR/DME holding pattern (Hold S, right turns, 338° inbound) to cross BKE VOR/DME at or above MEA/MCA for route of flight, or for climb in visual conditions, cross BKE VOR/DME at or above 6900, then climb-in-hold to at or above MEA/MCA for route of flight.

Rwy 35, climb heading 345° to 6900, then climbing right turn to BKE VOR/DME R-351 to BKE VOR/DME and hold, continue climb in BKE VOR/DME holding pattern (Hold S, right turns, 338° inbound) to cross BKE VOR/DME at or above MEA/MCA for route of flight, or for climb in visual conditions, cross BKE VOR/DME at or above 6900, then climb-in-hold to at or above MEA/MCA for route of flight.

TAKEOFF OBSTACLE NOTES:

Rwy 8, vehicles on roadway 321' from DER, on centerline, 11' AGL/3380' MSL.

Trees beginning 2.5 NM from DER, 200' left of centerline, up to 100' AGL/3812' MSL.

Trees beginning 2.9 NM from DER, 2464' left of centerline. Up to 100' AGL/4270' MSL.

Rwy 13, trees beginning 2019' from DER, 969' right of centerline, up to 100' AGL/3469' MSL.

Bushes beginning 2.2 NM from DER, 4092' left of centerline, up to 3' AGL/3837' MSL.

Trees beginning 2.2 NM from DER, 4027' left of centerline, up to 100' AGL/3919' MSL.

Rwy 26, bushes 231' from DER, 55' left of centerline, up to 12' AGL/3381' MSL.

Bushes 241' from DER, 147' right of centerline, up to 15' AGL/3384' MSL.

Vehicles on roadway 393' from DER, on centerline, up to 18' AGL/3384' MSL.

Pole 1276' from DER, 530' left of centerline, 35' AGL/3404' MSL.

Trees beginning 2547' from DER, 742' left of centerline, up to 100' AGL/3469' MSL.

Trees beginning 2617' from DER, 108' right of centerline, up to 100' AGL/3441' MSL.

Rwy 31, trees beginning 74' from DER, 49' left of centerline, up to 100' AGL/3424' MSL.

Sign 489' from DER, 389' left of centerline, 25' AGL/3391' MSL.

Vehicles on roadway 499' from DER, 302' left of centerline, up to 21' AGL/3387' MSL.

Trees beginning 1107' from DER, 757' left of centerline, up to 100' AGL/3469' MSL.

Rwy 35, trees beginning 5.9 NM from DER, 724' right of centerline, up to 100' AGL/4779' MSL.

BELLINGHAM, WA

BELLINGHAM INTL (BLI)

TAKEOFF MINIMUMS AND (OBSTACLE) DEPARTURE PROCEDURES

AMDT 6 04FEB16 (23082) (FAA)

DEPARTURE PROCEDURE:

Rwy 16, climb heading 164° to 600, then climbing right turn direct HUH VORTAC. Do not exceed 210K until established northbound.

Rwy 34, climb heading 344° to 600, then climbing left turn to intercept HUH R-145 to HUH VORTAC, continue climb in HUH holding pattern (northwest, right turn, 149° inbound) to MEA as appropriate for direction of flight.

TAKEOFF OBSTACLE NOTES:

Rwy 16, tree and windsock beginning abeam DER, 258' right of centerline, up to 15' AGL/187' MSL.

Trees beginning 180' from DER, 534' right of centerline, up to 30' AGL/199' MSL.

Trees beginning 747' from DER, 404' right of centerline, up to 40' AGL/213' MSL.

Trees beginning 1128' from DER, 56' left of centerline, up to 75' AGL/249' MSL.

Rwy 34, windsock 92' from DER, 516' right of centerline, 19' AGL/169' MSL.

Trees beginning 1372' from DER, 698' right of centerline, up to 60' AGL/208' MSL.

Trees beginning 2682' from DER, 966' right of centerline, up to 100' AGL/246' MSL.

Trees beginning 3079' from DER, 619' right of centerline, up to 85' AGL/246' MSL.

DIVERSE VECTOR AREA (RADAR VECTORS)

ORIG 03MAR16 (16063) (FAA)

Rwy 16, heading as assigned by ATC; requires min. climb of 360' per NM to 2700.

Rwy 34, heading as assigned by ATC.

TAKEOFF MINIMUMS, (OBSTACLE) DEPARTURE PROCEDURES, AND DIVERSE VECTOR AREA (RADAR VECTORS)

24025

TAKEOFF MINIMUMS, (OBSTACLE) DEPARTURE PROCEDURES, AND DIVERSE VECTOR AREA (RADAR VECTORS)

24025

BEND, OR

BEND MUNI (BDN)

TAKEOFF MINIMUMS AND (OBSTACLE) DEPARTURE PROCEDURES

AMDT 5 10AUG23 (23222) (FAA)

DEPARTURE PROCEDURE:

Use BEND DEPARTURE.

TAKEOFF OBSTACLE NOTES:

Rwy 16, vehicles on road, light poles beginning 0' from DER, 17' left of centerline, up to 3466' MSL.

Light poles 9' from DER, 17' right of centerline, 1' AGL/3461' MSL.

Vehicles on road 17' from DER, 361' left of centerline, 3467' MSL.

Terrain 27' from DER, 197' right of centerline, 3463' MSL.

Terrain beginning 36' from DER, 484' right of centerline, up to 3469' MSL.

Tree 74' from DER, 456' left of centerline, 35' AGL/3487' MSL.

Trees beginning 196' from DER, 465' left of centerline, up to 45' AGL/3497' MSL.

Tree, catenary wires beginning 322' from DER, 328' left of centerline, up to 3503' MSL.

Fence 343' from DER, 588' right of centerline, 3' AGL/3471' MSL.

Trees beginning 1011' from DER, 5' right of centerline, up to 3500' MSL.

Trees beginning 1049' from DER, 773' right of centerline, up to 37' AGL/3503' MSL.

Poles, tree beginning 1214' from DER, 109' right of centerline, up to 38' AGL/3504' MSL.

Trees beginning 1733' from DER, 927' right of centerline, up to 54' AGL/3526' MSL.

Tree 2142' from DER, 876' right of centerline, 59' AGL/3528' MSL.

Tree 2688' from DER, 710' right of centerline, 3541' MSL.

Trees beginning 2765' from DER, 503' left of centerline, up to 3572' MSL.

Rwy 34, terrain, light poles beginning 0' from DER, 17' left of centerline, up to 3405' MSL.

Light poles 9' from DER, 17' right of centerline, 1' AGL/3404' MSL.

Terrain, vegetation beginning 41' from DER, 443' left of centerline, up to 3408' MSL.

Tree 52' from DER, 412' right of centerline, 3424' MSL.

Trees beginning 93' from DER, 252' right of centerline, up to 3427' MSL.

Tree 311' from DER, 531' left of centerline, 3434' MSL.

Trees, vehicles on road beginning 331' from DER, 298' left of centerline, up to 3435' MSL.

Tree 373' from DER, 581' right of centerline, 37' AGL/3428' MSL.

Trees beginning 466' from DER, 236' right of centerline, up to 42' AGL/3429' MSL.

Trees beginning 694' from DER, 200' left of centerline, up to 31' AGL/3436' MSL.

Trees beginning 925' from DER, 175' left of centerline, up to 39' AGL/3442' MSL.

BIG PINEY, WY

MILEY MEMI FLD (BPI)

TAKEOFF MINIMUMS AND (OBSTACLE) DEPARTURE PROCEDURES

AMDT 1 15JUN23 (23166) (FAA)

TAKEOFF MINIMUMS:

Rwys 8, 26, NA-Environmental.

Rwy 31, std. w/min. climb of 214' per NM to 7700, or 4000-5 for VCOA.

DEPARTURE PROCEDURE:

Rwy 13, climb on a heading between 046° CW to 200° from DER.

Rwy 31, climb on a heading between 313° CW to 356° from DER.

VCOA:

Rwy 31, obtain ATC approval for VCOA when requesting IFR clearance. Climb in visual conditions to cross Miley Memi Fld airport at or above 10800 before proceeding on course.

TAKEOFF OBSTACLE NOTES:

Rwy 13, building, lighting beginning 2' from DER, 18' left of centerline, up to 17' AGL/6963' MSL.

Lighting 7' from DER, 16' right of centerline, 2' AGL/6950' MSL.

Tower, building beginning 134' from DER, 503' left of centerline, up to 38' AGL/6983' MSL.

Rwy 31, lighting 10' from DER, 17' right of centerline, 2' AGL/6995' MSL.

Lighting 10' from DER, 17' left of centerline, 2' AGL/6995' MSL.

Fence 93' from DER, 449' right of centerline, 10' AGL/7003' MSL.

Fence 195' from DER, 449' right of centerline, 7005' MSL.

Terrain 2611' from DER, 1184' right of centerline, 7064' MSL.

Terrain 2897' from DER, 1254' right of centerline, 7070' MSL.

BIG TIMBER, MT

BIG TIMBER AT HOWARD FLD (6S0)

TAKEOFF MINIMUMS AND (OBSTACLE) DEPARTURE PROCEDURES

ORIG 07DEC17 (22195) (FAA)

TAKEOFF MINIMUMS:

Rwys 18, 36, NA-Environmental.

DEPARTURE PROCEDURE:

Rwy 6, climbing right turn heading 220° to intercept LVM VOR/DME R-070 to LVM VOR/DME before proceeding on course.

Rwy 24, climbing left turn direct LVM VOR/DME, continue climb in LVM holding pattern (hold east, right turns, 250° inbound) to cross LVM VOR/DME at or above MEA/MCA for route of flight.

TAKEOFF OBSTACLE NOTES:

Rwy 6, ground 7' from DER, 34' right of centerline, 4458 MSL.

Light 9' from DER, 28' right of centerline, 1' AGL/4458 MSL.

CON'T

TAKEOFF MINIMUMS, (OBSTACLE) DEPARTURE PROCEDURES, AND DIVERSE VECTOR AREA (RADAR VECTORS)

24025

TAKEOFF MINIMUMS, (OBSTACLE) DEPARTURE PROCEDURES, AND DIVERSE VECTOR AREA (RADAR VECTORS)

24025

BIG TIMBER, MT (CON'T)

BIG TIMBER AT HOWARD FLD (6S0) (CON'T)

Rwy 6 (CON'T), fence 29' from DER, 447' left of centerline, 7' AGL/4461 MSL.

Rwy 24, light 9' from DER, 26' left of centerline, 1' AGL/4492' MSL.

Light 9' from DER, 28' right of centerline, 2' AGL/4492' MSL.

Fence beginning 106' from DER, beginning 432' left of centerline, up to 7' AGL/4500' MSL.

BILLINGS, MT

BILLINGS LOGAN INTL (BIL)

TAKEOFF MINIMUMS AND (OBSTACLE) DEPARTURE PROCEDURES

AMDT 7A 01FEB18 (18032) (FAA)

TAKEOFF MINIMUMS:

Rwy 10R, NA - environmental.

DEPARTURE PROCEDURE:

Rwy 10L, climb heading 102° to 4600, then on assigned heading.

TAKEOFF OBSTACLE NOTES:

Rwy 7, ground beginning 9' from DER, 55' right of centerline, up to 3498' MSL.

Fence 466' from DER, 534' right of centerline, 3511' MSL.

Rwy 10L, ground beginning 22' from DER, 496' right of centerline, up to 3505' MSL.

Vehicles on road beginning 622' from DER, 426' right of centerline, 15' AGL/3524' MSL.

Fence 464' from DER, 534' right of centerline, 11' AGL/3511' MSL.

Rwy 25, ground beginning 16' from DER, 456' left of centerline, up to 3642' MSL.

Ground beginning 52' from DER, 366' right of centerline, up to 3647' MSL.

Numerous poles, vertical structures, and fence beginning 189' from centerline, 184' left of centerline, up to 37' AGL/3673' MSL.

Tree 4760' from DER, 1545' right of centerline, 30' AGL/3769' MSL.

Rwy 28L, ground beginning 25' from DER, 365' left of centerline, up to 3660' MSL.

Building 1680' from DER, 717' left of centerline, 35' AGL/3707' MSL.

Building 3523' from DER, 708' left of centerline, 3743' MSL.

Tree 3682' from DER, 937' left of centerline, 30' AGL/3769' MSL.

DIVERSE VECTOR AREA (RADAR VECTORS)

AMDT 1 08NOV18 (18312) (FAA)

Rwy 10L, heading as assigned by ATC.

BLACKFOOT, ID

MCCARLEY FLD (U02)

TAKEOFF MINIMUMS AND (OBSTACLE) DEPARTURE PROCEDURES

AMDT 1A 19JUL18 (21252) (FAA)

DEPARTURE PROCEDURE:

Rwy 1, climb to 7000 direct IDA VOR/DME, before proceeding on course.

Rwy 19, climb to 7000 direct PIH VOR/DME, before proceeding on course.

TAKEOFF OBSTACLE NOTES:

Rwy 1, tree 140' from DER, 417' left of centerline, 4549' MSL.

Tree 313' from DER, 371' left of centerline, 4554' MSL.

Rwy 19, traverse way 168' from DER, 311' left of centerline, 15' AGL/4501' MSL.

Sign 3333' from DER, 643' right of centerline, 103' AGL/4586' MSL.

BOISE, ID

BOISE AIR TRML/GOWEN FLD (BOI)

TAKEOFF MINIMUMS AND (OBSTACLE) DEPARTURE PROCEDURES

AMDT 6 11FEB10 (21112) (FAA)

DEPARTURE PROCEDURE:

Use GOWEN DEPARTURE.

DIVERSE VECTOR AREA (RADAR VECTORS)

AMDT 2 25FEB21 (21056) (FAA)

Rwy 10L, heading as assigned by ATC; requires min. climb of 475' per NM to 6000.

Rwy 10R, heading as assigned by ATC; requires min. climb of 460' per NM to 6000.

Rwys 28L/R, heading as assigned by ATC; requires min. climb of 240' per NM to 6400.

BONNERS FERRY, ID

BOUNDARY COUNTY (6S5)

TAKEOFF MINIMUMS AND (OBSTACLE) DEPARTURE PROCEDURES

ORIG 29JUL10 (10210) (FAA)

TAKEOFF MINIMUMS:

Rwy 2, NA-Terrain.

DEPARTURE PROCEDURE:

Rwy 20, use KARPS (RNAV) DEPARTURE.

TAKEOFF MINIMUMS, (OBSTACLE) DEPARTURE PROCEDURES, AND DIVERSE VECTOR AREA (RADAR VECTORS)

24025

TAKEOFF MINIMUMS, (OBSTACLE) DEPARTURE PROCEDURES, AND DIVERSE VECTOR AREA (RADAR VECTORS)

24025

BOZEMAN, MT

BOZEMAN YELLOWSTONE INTL (BZN)

TAKEOFF MINIMUMS AND (OBSTACLE) DEPARTURE PROCEDURES

AMDT 4B 24MAY18 (18144) (FAA)

TAKEOFF MINIMUMS:

Rwys 3, 11, 21, 29, NA - air traffic.

DEPARTURE PROCEDURE:

Rwys 12, 30, use BOZEMAN DEPARTURE.

TAKEOFF OBSTACLE NOTES:

Rwy 30, pole 641' from DER, 622' left of centerline, 35' AGL/4452' MSL.

BREMERTON, WA

BREMERTON NTL (PWT)

TAKEOFF MINIMUMS AND (OBSTACLE) DEPARTURE PROCEDURES

AMDT 6 26MAR20 (21112) (FAA)

TAKEOFF MINIMUMS:

Rwy 2, 300-1½ or std. w/min. climb of 407' per NM to 700.

DEPARTURE PROCEDURE:

Rwy 2, climbing right turn to 4000 on heading 220° and OLM VORTAC R-346 to CARRO INT/OLM 19.43 DME, thence ...

Rwy 20, climb on heading 197° to 4000 and OLM VORTAC R-346 to CARRO INT/OLM 19.43 DME, thence ...

... continue climb in hold (hold north, right turn, 166° inbound) to 4000 before proceeding on course.

TAKEOFF OBSTACLE NOTES:

Rwy 2, poles beginning 3' from DER, 258' left of centerline, up to 2' AGL/442' MSL.

NAVAID 10' from DER, 64' right of centerline, 2' AGL/442' MSL.

Sign 38' from DER, 249' left of centerline, 3' AGL/444' MSL.

Vegetation 380' from DER, 521' left of centerline, 456' MSL.

Trees beginning 959' from DER, 709' right of centerline, up to 48' AGL/497' MSL.

Trees beginning 1125' from DER, 595' left of centerline, up to 78' AGL/518' MSL.

Trees beginning 1169' from DER, 695' right of centerline, up to 72' AGL/525' MSL.

Trees, wall beginning 1214' from DER, 770' right of centerline, up to 68' AGL/537' MSL.

Trees beginning 1386' from DER, 572' left of centerline, up to 112' AGL/542' MSL.

Trees beginning 1917' from DER, 798' left of centerline, up to 111' AGL/543' MSL.

Trees beginning 1937' from DER, 765' left of centerline, up to 131' AGL/566' MSL.

Trees beginning 2238' from DER, 793' left of centerline, up to 158' AGL/591' MSL.

Trees beginning 2798' from DER, 100' left of centerline, up to 168' AGL/593' MSL.

Trees beginning 3081' from DER, 1176' right of centerline, up to 86' AGL/579' MSL.

Trees beginning 3102' from DER, 157' right of centerline, up to 599' MSL.

Trees beginning 1.1 NM from DER, 2413' right of centerline, up to 144' AGL/631' MSL.

Trees beginning 2.4 NM from DER, 4186' left of centerline, up to 138' AGL/884' MSL.

Trees beginning 2.4 NM from DER, 4295' left of centerline, up to 170' AGL/1020' MSL.

Trees beginning 2.4 NM from DER, 3978' left of centerline, up to 137' AGL/1077' MSL.

Rwy 20, vegetation beginning 1' from DER, 457' left of centerline, up to 452' MSL.

Vegetation 140' from DER, 401' right of centerline, 10' AGL/450' MSL.

Trees, vegetation beginning 177' from DER, 349' left of centerline, up to 471' MSL.

Trees, vegetation beginning 372' from DER, 224' right of centerline, up to 489' MSL.

Trees, vegetation beginning 752' from DER, 549' left of centerline, up to 514' MSL.

Trees beginning 1329' from DER, 684' right of centerline, up to 35' AGL/494' MSL.

Trees beginning 1712' from DER, 794' right of centerline, up to 44' AGL/500' MSL.

Trees beginning 1719' from DER, 302' left of centerline, up to 66' AGL/534' MSL.

Trees beginning 1754' from DER, 700' right of centerline, up to 51' AGL/505' MSL.

Trees beginning 1904' from DER, 767' right of centerline, up to 56' AGL/507' MSL.

Trees beginning 2410' from DER, 7' right of centerline, up to 66' AGL/509' MSL.

Trees beginning 2519' from DER, 150' right of centerline, up to 60' AGL/513' MSL.

Trees beginning 2974' from DER, 69' right of centerline, up to 108' AGL/552' MSL.

Trees beginning 3135' from DER, 70' right of centerline, up to 114' AGL/559' MSL.

Trees beginning 3266' from DER, 2' right of centerline, up to 120' AGL/560' MSL.

Trees beginning 3411' from DER, 30' left of centerline, up to 95' AGL/540' MSL.

Trees beginning 3417' from DER, 119' left of centerline, up to 112' AGL/545' MSL.

Trees beginning 4030' from DER, 578' left of centerline, up to 127ft AGL/547' MSL.

Trees beginning 4435' from DER, 843' left of centerline, up to 122' AGL/575' MSL.

DIVERSE VECTOR AREA (RADAR VECTORS)

AMDT 1 15SEP16 (16259) (FAA)

Rwy 2, heading as assigned by ATC; requires minimum climb of 410' per NM to 1500.

Rwy 20, heading as assigned by ATC.

22 FEB 2024 to 21 MAR 2024

22 FEB 2024 to 21 MAR 2024

TAKEOFF MINIMUMS, (OBSTACLE) DEPARTURE PROCEDURES, AND DIVERSE VECTOR AREA (RADAR VECTORS)

24025

NW-1

TAKEOFF MINIMUMS, (OBSTACLE) DEPARTURE PROCEDURES, AND DIVERSE VECTOR AREA (RADAR VECTORS)

24025

BROOKINGS, OR

BROOKINGS (BOK)

TAKEOFF MINIMUMS AND (OBSTACLE) DEPARTURE PROCEDURES

ORIG 30NOV23 (23334) (FAA)

TAKEOFF MINIMUMS:

Rwy 12, 700-3 or std w/min climb of 518'/NM to 2000, or 3400-3 for VCOA.

Rwy 30, 600-3 or std w/min climb of 427'/NM to 1100, or 3400-3 for VCOA.

DEPARTURE PROCEDURE:

Rwy 12, climb on heading 129° to intercept CEC VORTAC R-343 to CEC VORTAC.

Rwy 30, climbing left turn to heading 175° to intercept CEC VORTAC R-326 to CEC VORTAC.
VCOA:

All runways, obtain ATC approval for VCOA when requesting IFR clearance. Climb in visual conditions to cross Brookings airport at or above 3700 before proceeding on course.

TAKEOFF OBSTACLE NOTES:

Rwy 12, trees beginning 43' from DER, 172' right of centerline, up to 80' AGL/477' MSL.

Tree 43' from DER, 352' left of centerline, 75' AGL/479' MSL.

Trees beginning 78' from DER, 82' left of centerline, up to 123' AGL/488' MSL.

Tree 629' from DER, 599' left of centerline, 120' AGL/489' MSL.

Trees beginning 657' from DER, 318' left of centerline, up to 136' AGL/513' MSL.

Trees beginning 1014' from DER, 252' left of centerline, up to 140' AGL/520' MSL.

Trees beginning 1439' from DER, 196' right of centerline, up to 114' AGL/487' MSL.

Tree 2683' from DER, 1197' left of centerline, 75' AGL/577' MSL.

Tree 2715' from DER, 1199' left of centerline, 70' AGL/578' MSL.

Tree 2944' from DER, 1240' left of centerline, 93' AGL/604' MSL.

Tree 3297' from DER, 1151' left of centerline, 76' AGL/614' MSL.

Tree 3341' from DER, 1152' left of centerline, 88' AGL/627' MSL.

Trees beginning 3372' from DER, 1196' left of centerline, up to 107' AGL/654' MSL.

Tree 2.1 NM from DER, 4031' left of centerline, 350' AGL/1069' MSL.

Tree 2.4 NM from DER, 3885' left of centerline, 100' AGL/916' MSL.

Tree 3373' from DER, 1356' left of centerline, 654' MSL.

Rwy 30, tree 21' from DER, 339' left of centerline, 100' AGL/543' MSL.

Trees, vegetation beginning 25' from DER, 6' right of centerline, up to 104' AGL/552' MSL.

Tree 44' from DER, 406' left of centerline, 117' AGL/567' MSL.

Trees beginning 44' from DER, 19' left of centerline, up to 122' AGL/569' MSL.

Trees beginning 583' from DER, 379' right of centerline, up to 110' AGL/579' MSL.

Trees beginning 726' from DER, 388' right of centerline, up to 121' AGL/599' MSL.

Trees beginning 1057' from DER, 46' right of centerline, up to 124' AGL/604' MSL.

Trees beginning 3658' from DER, 31' right of centerline, up to 97' AGL/645' MSL.

Tree 3820' from DER, 34' left of centerline, 70' AGL/587' MSL.

Tree 5398' from DER, 1172' right of centerline, 113' AGL/649' MSL.

Trees beginning 5400' from DER, 96' right of centerline, up to 91' AGL/664' MSL.

Trees beginning 5530' from DER, 123' right of centerline, up to 51' AGL/682' MSL.

Trees beginning 5583' from DER, 5' left of centerline, up to 105' AGL/638' MSL.

Trees beginning 5588' from DER, 682' right of centerline, up to 98' AGL/708' MSL.

Trees beginning 5599' from DER, 72' right of centerline, up to 98' AGL/722' MSL.

Trees beginning 5738' from DER, 56' right of centerline, up to 112' AGL/766' MSL.

Trees beginning 5877' from DER, 12' left of centerline, up to 98' AGL/658' MSL.

Trees beginning 5905' from DER, 192' right of centerline, up to 121' AGL/777' MSL.

Trees beginning 1 NM from DER, 69' right of centerline, up to 8' AGL/790' MSL.

Trees beginning 1.1 NM from DER, 132' left of centerline, up to 123' AGL/673' MSL.

Trees beginning 1.2 NM from DER, 791' right of centerline, up to 119' AGL/801' MSL.

Trees beginning 1.3 NM from DER, 1387' right of centerline, up to 125' AGL/838' MSL.

Trees building beginning 1.8 NM from DER, 1397' right of centerline, up to 123' AGL/1018' MSL.

Tree 2.2 NM from DER, 1786' left of centerline, 350' AGL/829' MSL.

Trees beginning 2.5 NM from DER, 2782' right of centerline, up to 100' AGL/896' MSL.

Tree 5905' from DER, 1608' right of centerline, 777' MSL.

Tree 2.9 NM from DER, 1074' left of centerline, 1149' MSL.

BUFFALO, WY

JOHNSON COUNTY (BYG)

TAKEOFF MINIMUMS AND (OBSTACLE) DEPARTURE PROCEDURES

AMDT 2 25JUN15 (15176) (FAA)

DEPARTURE PROCEDURE:

Rwy 13, Climbing left turn heading 290° to intercept SHR VOR/DME R-142 to SHR VOR/DME.

Rwy 31, Climb heading 306° to intercept SHR VOR/DME R-142 to SHR VOR/DME.

TAKEOFF OBSTACLE NOTES:

Rwy 13, fence 3' from DER, 349' left of centerline, 9' AGL/4907' MSL.

Bush 7' from DER, 42' right of centerline, 2' AGL/4906' MSL.

Rwy 31, fence beginning 63' from DER, 464' left of centerline, up to 10' AGL/5021' MSL.

Rising terrain starting 87' from DER, left and right of centerline, up to 5011' MSL.

Fence beginning 744' from DER, 87' right of centerline, up to 9' AGL/5011' MSL.

TAKEOFF MINIMUMS, (OBSTACLE) DEPARTURE PROCEDURES, AND DIVERSE VECTOR AREA (RADAR VECTORS)

24025

NW-1

TAKEOFF MINIMUMS, (OBSTACLE) DEPARTURE PROCEDURES, AND DIVERSE VECTOR AREA (RADAR VECTORS)

24025

BURLEY, ID

BURLEY MUNI (BYI)

TAKEOFF MINIMUMS AND (OBSTACLE) DEPARTURE PROCEDURES

AMDT 5A 30MAY13 (13150) (FAA)

TAKEOFF MINIMUMS:

Rwy 2, 200-1½ or std. w/min. climb of 210' per NM to 4400. Alternatively with standard takeoff minimums and a normal 200' per NM climb gradient, takeoff must occur no later than 1300' prior to DER.

Rwy 24, 300-1½ or std. w/min. climb of 438' per NM to 4500.

DEPARTURE PROCEDURE:

Rwys 2, 6, climbing left turn direct BYI VOR/DME, continue climb in BYI VOR/DME holding pattern (hold NW, right turns, 125° inbound) to cross BYI VOR/DME at or above MEA for route of flight.

Rwys 20, 24, climbing right turn direct BYI VOR/DME, continue climb in BYI VOR/DME holding pattern (hold NW, right turns, 125° inbound) to cross BYI VOR/DME at or above MEA for route of flight.

TAKEOFF OBSTACLE NOTES:

Rwy 2, tower 1.02 NM from DER, 862' right of centerline, 155' AGL/4304' MSL.

Obstruction light on bridge 252' from DER, 513' left of centerline, 57' AGL/4195' MSL.

Trees beginning 686' from DER, 201' right of centerline, up to 35' AGL/4184' MSL.

Tree 694' from DER, 375' left of centerline, 29' AGL/4178' MSL.

Obstruction light on building 736' from DER, 188' left of centerline, 11' AGL/4161' MSL.

Tower 803' from DER, 590' left of centerline, 55' AGL/4204' MSL.

Vehicles on road beginning 857' from DER, 1' right of centerline, up to 17' AGL/4168' MSL.

Poles beginning 1226' from DER, 549' left of centerline up to 72' AGL/4222' MSL.

Building vent 1240' from DER, 164' left of centerline, 27' AGL/4177' MSL.

Stack 2206' from DER, 856' right of centerline, 86' AGL/4236' MSL.

Stack 2573' from DER, 614' left of centerline, 86' AGL/4236' MSL.

Elevators beginning 3980' from DER, 131' right of centerline, up to 133' AGL/4283' MSL.

Rwy 6, trees beginning 46' from DER, 172' right of centerline, up to 14' AGL/4163' MSL.

Rising terrain beginning 49' from DER, 326' right of centerline, up to 4149' MSL.

Bush 150' from DER, 103' right of centerline, 5' AGL/4147' MSL.

Antenna 586' from DER, 398' left of centerline, 15' AGL/4165' MSL.

Obstruction light on bridge 1061' from DER, 80' right of centerline, 39' AGL/4179' MSL.

Rwy 20, obstruction light pole 42' from DER, 124' left of centerline, 16' AGL/4170' MSL.

Railroad beginning 65' from DER, 4' left of centerline up to 23' AGL/4177' MSL.

Sign 181' from DER, 121' right of centerline, 18' AGL/4172' MSL.

Vehicles on road 162' from DER, 2' left of centerline, 17' AGL/4169' MSL.

Vehicles on road beginning 335' from DER, 348' right of centerline, up to 17' AGL/4171' MSL.

Pole 446' from DER, 210' right of centerline, 26' AGL/4180' MSL.

Antenna 523' from DER, 337' right of centerline, 63' AGL/4217' MSL.

Tree 586' from DER, 213' right of centerline, 28' AGL/4182' MSL.

Trees beginning 2014' from DER, 339' left of centerline, up to 96' AGL/4251' MSL.

Rwy 24, vehicles on road beginning 25' from DER, 9' left of centerline, up to 15' AGL/4169' MSL.

Fence 58' from DER, 8' left of centerline, 4' AGL/4154' MSL.

Rising terrain beginning 69' from DER, 201' right of centerline, up to 4154' MSL.

Railroad 152' from DER, 6' left of centerline, 23' AGL/4176' MSL.

Trees beginning 427' from DER, 101' right of centerline, up to 69' AGL/4223' MSL.

Vehicles on road beginning 509' from DER, 586' right of centerline, up to 15' AGL/4169' MSL.

Railroad beginning 568' from DER, 288' right of centerline, up to 23' AGL/4177' MSL.

Pole 735' from DER, 185' left of centerline, 18' AGL/4172' MSL.

Light standard 824' from DER, 58' right of centerline, 23' AGL/4177' MSL.

Antenna 1630' from DER, 112' left of centerline, 58' AGL/4212' MSL.

Tower 2766' from DER, 175' left of centerline, 123' AGL/4282' MSL.

Tower 3570' from DER, 158' right of centerline, 157' AGL/4312' MSL.

Obstruction light on elevators beginning 3115' from DER, 164' left of centerline, up to 184' AGL/4344' MSL.

Building 5.12 NM from DER, 149' left of centerline, 158' AGL/4323' MSL.

BURLINGTON/MOUNT VERNON, WA

SKAGIT RGNL (BVS)

TAKEOFF MINIMUMS AND (OBSTACLE) DEPARTURE PROCEDURES

AMDT 2A 04FEB16 (16035) (FAA)

TAKEOFF MINIMUMS:

Rwy 4, NA-Environmental.

DEPARTURE PROCEDURE:

Rwy 11, climbing right turn heading 245° to intercept CVV VOR/DME R-022 thence ...

Rwy 22, climb heading 220° to 1500, then intercept CVV R-014, thence ...

Rwy 29, climb heading 290° to 1000, then climbing left turn on heading 165° to intercept CVV R-015, thence...

...to CVV VOR/DME, climb in holding pattern (hold south, left turns, 346° inbound) to cross CVV VOR/DME at or above MEA for route of flight.

TAKEOFF OBSTACLE NOTES:

Rwy 11, fence 20' from DER, 390' left of centerline, 4' AGL/105' MSL.

Trees beginning 1418' from DER, 832' right of centerline, up to 140' AGL/196' MSL.

CON'T

TAKEOFF MINIMUMS, (OBSTACLE) DEPARTURE PROCEDURES, AND DIVERSE VECTOR AREA (RADAR VECTORS)

24025

TAKEOFF MINIMUMS, (OBSTACLE) DEPARTURE PROCEDURES, AND DIVERSE VECTOR AREA (RADAR VECTORS)

24025

BURLINGTON/MOUNT VERNON, WA (CON'T)

SKAGIT RGNL (BVS) (CON'T)

Rwy 22, ground beginning 13' from DER, 362' right of centerline, up to 97' MSL.
 Bush 169' from DER, 287' right of centerline, 30' AGL/120' MSL.
 Tree 509' from DER, 525' right of centerline, 30' AGL/133' MSL.
 Tree 774' from DER, 507' left of centerline, 70' AGL/141' MSL.
 Tanks beginning 913' from DER, 578' left of centerline, 55' AGL/130' MSL.
 Trees beginning 1096' from DER, 543' right of centerline, up to 120' AGL/211' AGL.
 Trees beginning 1388' from DER, 563' left of centerline, up to 120' AGL/188' MSL.
 Trees beginning 1743' from DER, 791' right of centerline, up to 130' AGL/222' MSL.
 Trees beginning 1800' from DER, 587' left of centerline, up to 110' AGL/177' MSL.
 Tree 1887' from DER, 807' right of centerline, 150' AGL/230' MSL.
Rwy 29, ground 25' from DER, 431' right of centerline, 146' MSL.
 Tree 40' from DER, 485' right of centerline, 40' AGL/182' MSL.
 Trees 64' from DER, 470' left of centerline, 50' AGL/189' MSL.
 Trees 485' from DER, 575' right of centerline, up to 100' AGL/240' MSL.
 Trees 1732' from DER, 952' left of centerline, up to 130' AGL/247' MSL.
 Trees 4325' from DER, 68' right of centerline, 140' AGL/272' MSL.

BURNS, OR

BURNS MUNI (BNO)

TAKEOFF MINIMUMS AND (OBSTACLE) DEPARTURE PROCEDURES

AMDT 2 05AUG04 (04218) (FAA)

DEPARTURE PROCEDURE:

Rwy 3, climbing right turn, thence...**Rwy 12**, climb to 4600 via heading 117°, thence...**Rwys 21, 30**, climbing left turn, thence...

...All aircraft departing on ILR R-072 CW R-209, climb on course. All others climb on ILR R-123 within 10 NM to cross ILR VOR/DME at or above 5000.

TAKEOFF OBSTACLE NOTES:

Rwy 21, pole 820' from DER, 357' left of centerline, 20' AGL/4169' MSL.

BUTTE, MT

BERT MOONEY (BTM)

TAKEOFF MINIMUMS AND (OBSTACLE) DEPARTURE PROCEDURES

AMDT 6 07DEC17 (17341) (FAA)

TAKEOFF MINIMUMS:

Rwy 12, N/A - obstacles.**Rwy 15**, std. w/ min. climb of 570' per NM to 7800 or 3500-3 for VCOA.**Rwy 30**, std. w/ min. climb of 830' per NM to 6700 or 3500-3 for VCOA.**Rwy 33**, std. w/ min. climb of 385' per NM to 7000 or 3500-3 for VCOA.

DEPARTURE PROCEDURE:

Rwy 15, climbing right turn direct CPN VOR/DME, thence . . .**Rwy 30**, climb heading 315° to intercept CPN VOR/DME R-082 to CPN VOR/DME, thence . . .**Rwy 33**, climb heading 335° to 6300 before turning left direct to CPN VOR/DME, thence . . .

. . .continue Climb in CPN VOR/DME holding pattern (hold N, left turn, 166° inbound) to cross CPN VOR/DME at or above MEA/MCA for route of flight.

VCOA:

Rwys 15, 30, 33, obtain ATC approval for VCOA when requesting IFR clearance. Climb in visual conditions to cross MARRG westbound at or above 8900 then via CPN VOR/DME R-097 to CPN VOR/DME, continue climb in CPN VOR/DME holding pattern (hold N, left turn, 166° inbound) to cross CPN VOR/DME at or above MEA/MCA for route of flight.

TAKEOFF OBSTACLE NOTES:

Rwy 15, rwy lights 9' from DER, 55' left and right of centerline, 1' AGL/5551' MSL.**Rwy 30**, terrain 35' from DER, 483' left of centerline, 5524' MSL.

REILS 43' from DER, left and right of centerline, 5' AGL/5524' MSL.

Tree 370' from DER, 587' right of centerline, 5590' MSL.

Poles beginning 509' from DER, 140' left of centerline, up to 16' AGL/5536' MSL.

Tree 733' from DER, 590' right of centerline, 5591' MSL.

Pole 1012' from DER, 132' left of centerline, 33' AGL/5550' MSL.

Communications tower 3928' from DER, 164' right of centerline, 106' AGL/5619' MSL.

Trees on rising terrain beginning 1 NM from DER, 1474' left of centerline, up to 5770' MSL.

Trees on rising terrain beginning 1.1 NM from DER, 997' left of centerline, up to 5946' MSL.

Building, terrain and trees beginning 1.2 NM from DER, 1007' left of centerline, up to 6175' MSL.

Trees on rising terrain beginning 1.3 NM from DER, 885' left of centerline, up to 6241' MSL.

Pole, terrain and trees beginning 1.4 NM from DER, 923' left of centerline, up to 6251' MSL.

Rwy 33, runway lights 5' from DER, 14' left and right of centerline, 2' AGL/5508' MSL.

TAKEOFF MINIMUMS, (OBSTACLE) DEPARTURE PROCEDURES, AND DIVERSE VECTOR AREA (RADAR VECTORS)

24025

TAKEOFF MINIMUMS, (OBSTACLE) DEPARTURE PROCEDURES, AND DIVERSE VECTOR AREA (RADAR VECTORS)

24025

CALDWELL, ID

CALDWELL EXEC (EUL)

TAKEOFF MINIMUMS AND (OBSTACLE) DEPARTURE PROCEDURES

AMDT 5 01SEP05 (22363) (FAA)

TAKEOFF MINIMUMS:

Rwy 12, std. w/min. climb of 300' per NM to 5600, or 2400-3 for climb in visual conditions.

DEPARTURE PROCEDURE:

Rwy 12, climb via heading 119° to 5600 before proceeding on course. For climb in visual conditions: cross Caldwell Exec airport at or above 4800 before proceeding on course.

Rwy 30, climb via heading 299° to 4400 before proceeding on course.

TAKEOFF OBSTACLE NOTES:

Rwy 12, levee 198' from DER, 281' left of centerline, 0' AGL/2451' MSL.

Multiple trees 1462' from DER, 877' right of centerline, up to 100' AGL/2505' MSL.

Rwy 30, multiple poles 206' from DER, 389' right of centerline, up to 39' AGL/2457' MSL.

Rod 353' from DER, 246' right of centerline, 21' AGL/2439' MSL.

CASPER, WY

CASPER/NATRONA COUNTY INTL (CPR)

TAKEOFF MINIMUMS AND (OBSTACLE) DEPARTURE PROCEDURES

AMDT 4 20SEP12 (12264) (FAA)

DEPARTURE PROCEDURE:

Rwy 3, climbing left turn on DDD R-202, to DDD VOR/DME before proceeding on course.

Rwy 8, climbing left turn on DDD R-190, to DDD VOR/DME before proceeding on course.

Rwy 21, climbing right turn on DDD R-215, to DDD VOR/DME before proceeding on course.

Rwy 26, climbing right turn on DDD R-223, to DDD VOR/DME before proceeding on course.

CHEHALIS, WA

CHEHALIS-CENTRALIA (CLS)

TAKEOFF MINIMUMS AND (OBSTACLE) DEPARTURE PROCEDURES

AMDT 1 26JUL12 (12208) (FAA)

TAKEOFF MINIMUMS:

Rwy 16, 400-2¼ or std. w/min. climb of 240' per NM to 700.

Rwy 34, std. w/min. climb of 210' per NM to 500.

DEPARTURE PROCEDURE:

Rwy 16, climb heading 162° to 1000, then climbing left turn to 4000 heading 001° and OLM R-151 to OLM VORTAC then proceed on course.

Rwy 34, climb to 4000 on OLM R-176 to OLM VORTAC then proceed on course.

TAKEOFF OBSTACLE NOTES:

Rwy 16, multiple buildings beginning 1560' from DER, left and right of centerline, up to 40' AGL/220' MSL.

Pole 136' from DER, 435' left of centerline, 30' AGL/233' MSL.

Trees beginning 523' from DER, left and right of centerline, up to 100' AGL/518' MSL.

Rwy 34, trees beginning 1679' from DER, left and right of centerline, up to 100' AGL/317' MSL.

Building 17169' from DER, 1968' left of centerline, 30' AGL/357' MSL.

CHEYENNE, WY

CHEYENNE RGNL/JERRY OLSON FLD (CYS)

TAKEOFF MINIMUMS AND (OBSTACLE) DEPARTURE PROCEDURES

AMDT 4 20SEP12 (21112) (FAA)

DEPARTURE PROCEDURE:

Rwy 31, climb heading 306° to 6700 before turning left.

TAKEOFF OBSTACLE NOTES:

Rwy 13, fence beginning 30' from DER, 246' right of centerline, up to 9' AGL/6126' MSL.

Trees beginning 48' from DER, left and right of centerline, up to 68' AGL/6177' MSL.

Multiple poles beginning 165' from DER, left and right of centerline, up to 27' AGL/6136' MSL.

Rwy 27, localizer antenna 404' from DER, on centerline, 10' AGL/6156' MSL.

Light on localizer antenna, 408' from DER, 49' left of centerline, 10' AGL/6156' MSL.

Vehicles on road beginning 422' from DER, 247' left of centerline, up to 15' AGL/6162' MSL.

Trees beginning 514' from DER, left and right of centerline, up to 65' AGL/6224' MSL.

Multiple poles beginning 741' from DER, left and right of centerline, up to 60' AGL/6203' MSL.

Rwy 31, trees beginning 140' from DER, left and right of centerline, up to 57' AGL/6226' MSL.

Vehicles on road beginning 193' from DER, 248' left of centerline, up to 15' AGL/6179' MSL.

Fence beginning 196' from DER, 1' left of centerline, 9' AGL/6175' MSL.

Sign 370' from DER, 59' left of centerline, 9' AGL/6171' MSL.

Multiple poles beginning 383' from DER, left and right of centerline, up to 35' AGL/6229' MSL.

Sign 3248' from DER, 600' left of centerline, 56' AGL/6244' MSL.

TAKEOFF MINIMUMS, (OBSTACLE) DEPARTURE PROCEDURES, AND DIVERSE VECTOR AREA (RADAR VECTORS)

24025

NW-1

TAKEOFF MINIMUMS, (OBSTACLE) DEPARTURE PROCEDURES, AND DIVERSE VECTOR AREA (RADAR VECTORS)

24025

CHOTEAU, MT CHOTEAU (CII)

TAKEOFF MINIMUMS AND (OBSTACLE) DEPARTURE PROCEDURES
AMDT 2 05DEC19 (19339) (FAA)

TAKEOFF MINIMUMS:

Rwy 15, std. w/min. climb of 230' per NM to 10700 or 3000-3 for VCOA.

Rwy 23, std. w/min. climb of 310' per NM to 10400 or 3000-3 for VCOA.

Rwy 33, std. w/min. climb of 260' per NM to 10300 or 3000-3 for VCOA.

DEPARTURE PROCEDURE:

Rwy 5, climb on heading 055° to 5700 before turning west.

Rwy 15, climb on heading 148° to 5200 before turning right.

Rwy 33, climb on heading 328° to 5800 before turning left.

VCOA:

Rwys 15, 23, 33, obtain ATC approval for VCOA when requesting IFR clearance. Climb in visual conditions to cross Choteau Airport at or above 6800 before proceeding on course.

TAKEOFF OBSTACLE NOTES:

Rwy 5, fence beginning 19' from DER, 226' right of centerline, up to 10' AGL/3948' MSL.

Fence 35' from DER, 212' left of centerline, 12' AGL/3947' MSL.

Pole 909' from DER, 537' left of centerline, 35' AGL/3967' MSL.

Rwy 15, fence beginning 118' from DER, 494' left of centerline, up to 5' AGL/3947' MSL.

Antenna 1208' from DER, 712' right of centerline, 26' AGL/3981' MSL.

Tree 1468' from DER, 688' right of centerline, 4009' MSL.

Tree 1589' from DER, 718' right of centerline, 4011' MSL.

Tree 1997' from DER, 461' right of centerline, 4016' MSL.

Tree 2417' from DER, 400' left of centerline, 4004' MSL.

Rwy 23, fence, terrain beginning 71' from DER, 218' right of centerline, up to 7' AGL/3952' MSL.

Pole 359' from DER, 588' right of centerline, 34' AGL/3964' MSL.

Rwy 33, fence 11' from DER, 394' right of centerline, 5' AGL/3942' MSL.

Wind indicator 99' from DER, 199' left of centerline, 13' AGL/3952' MSL.

CHRISTMAS VALLEY, OR CHRISTMAS VALLEY (62S)

TAKEOFF MINIMUMS AND (OBSTACLE) DEPARTURE PROCEDURES
ORIG 20APR23 (23110) (FAA)

DEPARTURE PROCEDURE:

Rwy 7, climb on heading 076° to 5600 before proceeding on course.

Rwy 25, climb on heading 256° to 5500 before proceeding on course.

TAKEOFF OBSTACLE NOTES:

Rwy 7, vehicles on road beginning 4' from DER, 250' right of centerline, up to 4330' MSL.

Vehicles on road, bldg beginning 5' from DER, 258' right of centerline, up to 15' AGL/4335' MSL.

Bldg 146' from DER, 351' left of centerline, 15' AGL/4335' MSL.

Power line, vehicles on road beginning 150' from DER, 343' left of centerline, 24' AGL/4344' MSL.

Power lines, bldg beginning 276' from DER, 249' left of centerline, up to 70' AGL/4390' MSL.

Tree, power line beginning 585' from DER, 448' right of centerline, up to 4356' MSL.

Power line 2657' from DER, 526' left of centerline, 70' AGL/4391' MSL.

Rwy 25, vehicles on road beginning 28' from DER, 231' left of centerline, up to 4328' MSL.

Trees, power line, buildings, vehicle on roads beginning 76' from DER, 389' right of centerline, up to 50' AGL/4370' MSL.

Vehicles on road 247' from DER, 237' left of centerline, 15' AGL/4335' MSL.

Power lines beginning 372' from DER, 439' right of centerline, up to 70' AGL/4390' MSL.

Trees, bldg beginning 1044' from DER, 136' left of centerline, up to 50' AGL/4370' MSL.

Power line, tree beginning 1713' from DER, 592' right of centerline, up to 74' AGL/4392' MSL.

Trees, bldg beginning 1875' from DER, 573' left of centerline, up to 50' AGL/4399' MSL.

CIRCLE, MT

CIRCLE TOWN COUNTY (4U6)

TAKEOFF MINIMUMS AND (OBSTACLE) DEPARTURE PROCEDURES
ORIG-A 13JUL23 (23194) (FAA)

TAKEOFF MINIMUMS:

Rwys 3, 21, NA-Environmental.

Rwy 12, std w/min climb of 221' per NM to 2900, or 1000-3 for climb in visual conditions.

DEPARTURE PROCEDURE:

Rwy 12, for climb in visual conditions cross Circle Town County airport at or above 3400 MSL before proceeding on course.

When executing VCOA, notify ATC prior to departure.

TAKEOFF OBSTACLE NOTES:

Rwy 12, fence 8332' from DER, 1042' left of centerline, 3' AGL/2672' MSL.

Fence 122' from DER, 210' right of centerline, 3' AGL/2445' MSL.

Ground 1797' from DER, 235' left of centerline 2669' MSL.

Vehicle on road 231' from DER, 464' left of centerline, 15' AGL/2485' MSL.

Vehicle on road 76' from DER, 343' right of centerline, 15' AGL/2463' MSL.

Rwy 30, tree 656' from DER, 569' right of centerline, 37' AGL/2459' MSL.

Vehicle on road 13' from DER, 202' left of centerline, 15' AGL/2441' MSL.

Railroad 403' from DER, 121' right of centerline, 23' AGL/2446' MSL.

Pole 851' from DER, 455' right of centerline, 24' AGL/2450' MSL.

TAKEOFF MINIMUMS, (OBSTACLE) DEPARTURE PROCEDURES, AND DIVERSE VECTOR AREA (RADAR VECTORS)

24025

NW-1

TAKEOFF MINIMUMS, (OBSTACLE) DEPARTURE PROCEDURES, AND DIVERSE VECTOR AREA (RADAR VECTORS)

24025

CODY, WY

YELLOWSTONE RGNL (COD)

TAKEOFF MINIMUMS AND (OBSTACLE) DEPARTURE PROCEDURES

AMDT 5 26MAR20 (20086) (FAA)

TAKEOFF MINIMUMS:

Rwy 4, std. w/min. climb of 400' per NM to 8000' or 4400-3 for VCOA.

Rwy 22, std. w/min. climb of 420' per NM to 7400' or 4400-3 for VCOA.

DEPARTURE PROCEDURE:

Rwy 4, climb on heading 041° to 5900, then climbing left turn to intercept COD R-171 to COD VOR/DME.

Rwy 22, climb on heading 221° to 6600, then climbing left turn to intercept COD R-180 to COD VOR/DME.

VCOA:

Obtain ATC approval for VCOA when requesting IFR clearance. Climb in visual conditions to cross Yellowstone RGNL at or above 9400, then on COD R-189 to COD VOR/DME to cross COD VOR/DME at or above MEA for route of flight.

TAKEOFF OBSTACLE NOTES:

Rwy 4, vehicle on road, pole and tree beginning at DER, 30' right of centerline, up to 5089' MSL.

Terrain 246' from DER, 531' right of centerline, 5090' MSL.

Trees beginning 696' from DER, 608' right of centerline, up to 5132' MSL.

Trees and terrain beginning 949' from DER, 261' right of centerline, up to 5138' MSL.

Terrain beginning 1747' from DER, 407' right of centerline, up to 5146' MSL.

Rwy 22, electrical system and pole beginning 9' from DER, 60' left of centerline, up to 16' AGL/5103' MSL.

Electrical system and pole beginning 9' from DER, 29' right of centerline, up to 17' AGL/5104' MSL.

Vehicle on road 189' from DER, 540' right of centerline, 5108' MSL.

Traverse way 251' from DER, 480' right of centerline, 5111' MSL.

Vehicle on road 330' from DER, 410' right of centerline, 5114' MSL.

Vehicle on road 419' from DER, 343' right of centerline, 5117' MSL.

Pole and building beginning 431' from DER, 504' right of centerline, up to 32' AGL/5119' MSL.

Terrain 4775' from DER, 1212' left of centerline, 5227' MSL.

Terrain beginning 4889' from DER, 1085' left of centerline, up to 5247' MSL.

Terrain beginning 5250' from DER, 1036' left of centerline, up to 5291' MSL.

Terrain 5440' from DER, 1763' left of centerline, 5304' MSL.

Terrain beginning 5562' from DER, 704' left of centerline, up to 5311' MSL.

Terrain beginning 5777' from DER, 1358' left of centerline, up to 5318' MSL.

Terrain beginning 5870' from DER, 692' left of centerline, up to 5339' MSL.

Terrain 5910' from DER, 107' right of centerline, 5266' MSL.

Terrain beginning 5923' from DER, 83' left of centerline, up to 5351' MSL.

Transmission line, pole and terrain beginning 6056' from DER, 175' right of centerline, up to 45' AGL/5276' MSL.

Terrain beginning 1 NM from DER, 7' left of centerline, up to 5371' MSL.

Pole and transmission line beginning 1 NM from DER, 1426' right of centerline, up to 5286' MSL.

Transmission line and poles beginning 1 NM from DER, 1170' right of centerline, up to 46' AGL/5313' MSL.

Transmission line and pole beginning 1 NM from DER, 1017' right of centerline, up to 56' AGL/5322' MSL.

Pole and terrain beginning 1 NM from DER, 1009' right of centerline, up to 5325' MSL.

Transmission line, pole, terrain and fence beginning 1 NM from DER, 109' right of centerline, up to 24' AGL/5332' MSL.

Terrain beginning 1 NM from DER, 867' left of centerline, up to 5389' MSL.

Terrain, pole beginning 1 NM from DER, 341' left of centerline, up to 5396' MSL.

Terrain beginning 1 NM from DER, 140' left of centerline, up to 5410' MSL.

Terrain beginning 1 NM from DER, 718' left of centerline, up to 5427' MSL.

Terrain, pole, transmission line beginning 1 NM from DER, 93' left of centerline, up to 5431' MSL.

Pole, transmission line, terrain beginning 1.5 NM from DER, 306' right of centerline, up to 5354' MSL.

Pole, transmission line, terrain beginning 1.5 NM from DER, 16' right of centerline, up to 5410' MSL.

Terrain beginning 1.6 NM from DER, 336' right of centerline, up to 5434' MSL.

COEUR D'ALENE, ID

COEUR D'ALENE/PAPPY BOYINGTON FLD (COE)

TAKEOFF MINIMUMS AND (OBSTACLE) DEPARTURE PROCEDURES

AMDT 9 11FEB10 (21336) (FAA)

DEPARTURE PROCEDURE:

Use COEUR D'ALENE DEPARTURE.

COLSTRIP, MT

COLSTRIP (M46)

TAKEOFF MINIMUMS AND (OBSTACLE) DEPARTURE PROCEDURES

AMDT 2 05JUN08 (08157) (FAA)

TAKEOFF MINIMUMS:

Rwy 6 use CISPU (RNAV) DEPARTURE.

Rwy 24, use CONUK (RNAV) DEPARTURE.

TAKEOFF MINIMUMS, (OBSTACLE) DEPARTURE PROCEDURES, AND DIVERSE VECTOR AREA (RADAR VECTORS)

24025

TAKEOFF MINIMUMS, (OBSTACLE) DEPARTURE PROCEDURES, AND DIVERSE VECTOR AREA (RADAR VECTORS)

24025

CONRAD, MT

CONRAD (S01)

TAKEOFF MINIMUMS AND (OBSTACLE) DEPARTURE PROCEDURES

AMDT 1 28FEB19 (19059) (FAA)

TAKEOFF MINIMUMS:

Rwys 15, 33, NA- Environmental.

Rwy 24, std. w/min. climb of 256' per NM to 4400, or 1100-3 for VCOA.

VCOA:

Rwy 24, obtain ATC approval for VCOA when requesting IFR clearance. Climb in visual conditions to cross Conrad Airport at or above 4500 before proceeding on course.

TAKEOFF OBSTACLE NOTES:

Rwy 6, lighting 8' from DER, 17' right of centerline, 2' AGL/3530' MSL.

Lighting 38' from DER, 111' left of centerline, 3' AGL/3530' MSL.

Building 59' from DER, 472' left of centerline, 24' AGL/3550' MSL.

Tower 307' from DER, 512' left of centerline, 40' AGL/3565' MSL.

Tree 378' from DER, 462' left of centerline, 3594' MSL.

Trees beginning 1166' from DER, 48' left of centerline, up to 3604' MSL.

Tree 2481' from DER, 176' right of centerline, 3593' MSL.

Tree 2575' from DER, 164' right of centerline, 3594' MSL.

Rwy 24, lighting 9' from DER, 17' right of centerline, 2' AGL/3550' MSL.

Lighting 9' from DER, 16' left of centerline, 3' AGL/3550' MSL.

Transmission line 1482' from DER, 789' left of centerline, 40' AGL/3600' MSL.

Transmission line 1667' from DER, 269' left of centerline, 39' AGL/3602' MSL.

Transmission line beginning 1833' from DER, 194' right of centerline, up to 40' AGL/3602' MSL.

CORVALLIS, OR

CORVALLIS MUNI (CVO)

TAKEOFF MINIMUMS AND (OBSTACLE) DEPARTURE PROCEDURES

AMDT 7 02DEC21 (21336) (FAA)

TAKEOFF MINIMUMS:

Rwy 10, std. w/min. climb gradient of 263' per NM to 2900 or 3400-3 for VCOA.

Rwy 17, std. w/min. climb gradient of 265' per NM to 2900 or 3400-3 for VCOA.

Rwy 28, std. w/min. climb gradient of 329' per NM to 3000 or 3400-3 for VCOA.

Rwy 35, std. w/min. climb gradient of 344' per NM to 3000 or 3400-3 for VCOA.

DEPARTURE PROCEDURE:

Rwy 10, climb heading 097° to 1200, then climbing left turn direct CVO VOR/DME, thence...

Rwy 17, climb heading 172° to 1300, then climbing left turn direct CVO VOR/DME, thence...

Rwy 28, climb heading 277° to 1600, then climbing right turn direct CVO VOR/DME, thence...

Rwy 35, climb heading 352° to 1600, then climbing right turn direct CVO VOR/DME, thence...

...climb in CVO VOR/DME holding pattern (hold east, right turns, 261° inbound) to cross CVO VOR/DME at or above 3500.

VCOA:

All runways, obtain ATC approval for VCOA when requesting IFR clearance. Climb in visual conditions to cross CVO VOR/DME at or above 3500 before proceeding on course.

TAKEOFF OBSTACLE NOTES:

Rwy 10, terrain 10' from DER, 151' left of centerline, 247' MSL.

Tree, vehicle on road beginning 294' from DER, 111' left of centerline, up to 286' MSL.

Vehicle on road 426' from DER, 9' right of centerline, 268' MSL.

Vehicle on road beginning 457' from DER, 114' right of centerline, up to 269' MSL.

Trees beginning 542' from DER, 309' left of centerline, up to 308' MSL.

Vegetation 558' from DER, 380' right of centerline, 275' MSL.

Tree 1781' from DER, 691' left of centerline, 309' MSL.

Tree 1952' from DER, 774' left of centerline, 328' MSL.

Trees beginning 2125' from DER, 121' left of centerline, up to 341' MSL.

Tree 2927' from DER, 20' right of centerline, 325' MSL.

Tree 3187' from DER, 947' left of centerline, 383' MSL.

Tree 3471' from DER, 143' right of centerline, 335' MSL.

Tree 4376' from DER, 1132' right of centerline, 380' MSL.

Rwy 17, tree 41' from DER, 77' left of centerline, 250' MSL.

Rwy 28, tree 42' from DER, 188' left of centerline, 247' MSL.

Antenna 901' from DER, 352' left of centerline, 26' AGL/269' MSL.

Tower 906' from DER, 326' left of centerline, 32' AGL/275' MSL.

Tree 1608' from DER, 850' right of centerline, 289' MSL.

Rwy 35, trees beginning 2' from DER, 271' left of centerline, up to 247' MSL.

Trees beginning 473' from DER, 549' left of centerline, up to 278' MSL.

Tree 507' from DER, 558' right of centerline, 261' MSL.

Tree 1506' from DER, 660' left of centerline, 283' MSL.

Trees beginning 2.3 NM from DER, 1696' left of centerline, up to 615' MSL.

DIVERSE VECTOR AREA (RADAR VECTORS)

AMDT 2 10NOV16 (16315) (FAA)

Rwy 17, heading as assigned by ATC.

Rwy 35, heading as assigned by ATC; requires min. climb of 210' per NM to 800.

TAKEOFF MINIMUMS, (OBSTACLE) DEPARTURE PROCEDURES, AND DIVERSE VECTOR AREA (RADAR VECTORS)

24025

TAKEOFF MINIMUMS, (OBSTACLE) DEPARTURE PROCEDURES, AND DIVERSE VECTOR AREA (RADAR VECTORS)

24025

COWLEY/LOVELL/BYRON, WY

NORTH BIG HORN COUNTY (U68)

TAKEOFF MINIMUMS AND (OBSTACLE) DEPARTURE PROCEDURES

AMDT 2A 08SEP22 (22251) (FAA)

TAKEOFF MINIMUMS:

Rwys 16, 34, NA-Environmental.

DEPARTURE PROCEDURE:

Rwy 9, all aircraft - aircraft departing on HCY NDB bearings 130° CW 225°, climb heading 095° to 4800 then climb on course. All others, climb to 4800 then climbing right turn direct HCY NDB. Climb in HCY NDB holding pattern (hold W, right turns, 078° inbound) to cross HCY NDB at or above 9500 before proceeding on course.

Rwy 27, all aircraft - aircraft departing on HCY NDB bearings 130° CW 225°, climb heading 275° to 4800 then climb on course. All others, climb to 4800 then climbing left turn direct HCY NDB, climb in HCY NDB holding pattern (hold W, right turns, 078° inbound) to cross HCY NDB at or above 9500 before proceeding on course.

TAKEOFF OBSTACLE NOTES:

Rwy 9, vehicles on road beginning 18' from DER, 451' left of centerline, up to 15' AGL/4114' MSL.

Vertical structure 13' from DER, 420' right of centerline, up to 4' AGL/4096' MSL.

Light support structure 8' from DER, 17' right of centerline, up to 2' AGL/4095' MSL.

Rwy 27, NAVAIDs beginning 40' from DER, left and right of centerline, up to 6' AGL/4085' MSL.

Ground beginning 137' from DER, 512' left of centerline, up to 4087' MSL.

Vertical structure beginning 181' from DER, 466' left of centerline, up to 11' AGL/4090' MSL.

Vertical structure beginning 298' from DER, 323' left of centerline, up to 9' AGL/3091' MSL.

Vertical structure beginning 300' from centerline, 311' left of centerline, up to 11' AGL/4092' MSL.

Vehicles on road beginning 551' from DER, left and right of centerline, up to 15' AGL/4108' MSL.

Pole beginning 1558' from DER, 793' right of centerline, up to 29' AGL/4128' MSL.

CRESWELL, OR

HOBBY FLD (77S)

TAKEOFF MINIMUMS AND (OBSTACLE) DEPARTURE PROCEDURES

ORIG 08NOV18 (21280) (FAA)

DEPARTURE PROCEDURE:

Use HOBBY DEPARTURE.

TAKEOFF OBSTACLE NOTES:

Rwy 34, vegetation 79' from DER, 268' right of centerline, 548' MSL.

Fence 197' from DER, 278' right of centerline, 8' AGL/550' MSL.

Tree 269' from DER, 287' right of centerline, 562' MSL.

Traverse way beginning 438' from DER, 593' left of centerline, up to 557' MSL.

Tree, transmission line beginning 879' from DER, 434' left of centerline, up to 573' MSL.

Pole 1061' from DER, 374' right of centerline, up to 586' MSL.

Pole 1122' from DER, 172' left of centerline, 36' AGL/580' MSL.

Pole, traverse way beginning 1134' from DER, 334' left of centerline, up to 61' AGL/605' MSL.

Pole, tree beginning 1214' from DER, 322' left of centerline, up to 616' MSL.

Trees beginning 2367' from DER, 960' right of centerline, up to 629' MSL.

Trees beginning 2448' from DER, 473' left of centerline, up to 643' MSL.

Tree 3232' from DER, 1009' left of centerline, 657' MSL.

Trees beginning 1.7 NM from DER, 2451' right of centerline, up to 1000' MSL.

Trees beginning 1.8 NM from DER, 2877' right of centerline, up to 1040' MSL.

Trees beginning 1.9 NM from DER, 1338' right of centerline, up to 98' AGL/1047' MSL.

CUT BANK, MT

CUT BANK INTL (CTB)

TAKEOFF MINIMUMS AND (OBSTACLE) DEPARTURE PROCEDURES

AMDT 2 13NOV14 (14317) (FAA)

TAKEOFF OBSTACLE NOTES:

Rwy 5, runway light 11' from DER, 17' left of centerline, 1' AGL/3842' MSL.

Rwy 14, runway light 9' from DER, 48' left of centerline, 2' AGL/3843' MSL.

REIL 12' from DER, 114' right of centerline, 3' AGL/3844' MSL.

Rwy 23, fence 4' from DER, 239' right of centerline, 6' AGL/3857' MSL.

Runway lights beginning 8' from DER, left and right of centerline, up to 1' AGL/3855' MSL.

Fence 122' from DER, 240' right of centerline, 5' AGL/3857' MSL.

Rwy 32, runway lights beginning 9' from DER, left and right of centerline, up to 2' AGL/3859' MSL.

22 FEB 2024 to 21 MAR 2024

22 FEB 2024 to 21 MAR 2024

TAKEOFF MINIMUMS, (OBSTACLE) DEPARTURE PROCEDURES, AND DIVERSE VECTOR AREA (RADAR VECTORS)

24025

NW-1

TAKEOFF MINIMUMS, (OBSTACLE) DEPARTURE PROCEDURES, AND DIVERSE VECTOR AREA (RADAR VECTORS)

24025

DEER LODGE, MT

DEER LODGE-CITY-COUNTY (38S)

TAKEOFF MINIMUMS AND (OBSTACLE) DEPARTURE PROCEDURES

ORIG 10JAN13 (13010) (FAA)

TAKEOFF MINIMUMS:

Rwy 13, std. w/min. climb of 275' per NM to 5700 or 2300-3 for climb in visual conditions.

Rwy 31, std. w/min. climb of 370' per NM to 7000 or 2300-3 for climb in visual conditions.

DEPARTURE PROCEDURE:

Rwys 13, 31, climbing right turn heading 218° to 9700 to intercept CPN VOR/DME R-339 to CPN VOR/DME and hold, continue climb-in-hold (hold north, left turn, 166° inbound) to cross CPN VOR/DME at or above MEA of intended route before proceeding on course, or for climb in visual conditions cross Deer Lodge-City-County airport at or above 6800 then proceed on CPN R-339 to CPN VOR/DME, continue climb-in-hold (hold north, left turn, 166° inbound) to cross CPN VOR/DME at or above MEA of intended route before proceeding on course. When executing VCOA, notify ATC prior to departure.

TAKEOFF OBSTACLE NOTES:

Rwy 13, road beginning 3' from DER, 321' right of centerline, 4658' MSL.

Light support structure 9' from DER, 28' left of centerline, 3' AGL/4630' MSL.

Terrain 27' from DER, 160' right of centerline, 4631' MSL.

Fence 128' from DER, 498' right of centerline, 10' AGL/4650' MSL.

Rwy 31, road beginning at DER, 270' left of centerline, 4757' MSL.

Light support structure 10' from DER, 27' left of centerline, 3' AGL/4695' MSL.

Terrain beginning 155' from DER, 93' left of centerline, 4743' MSL.

Terrain beginning 536' from DER, 438' right of centerline, 4715' MSL.

Terrain beginning 1832' from DER, 678' left of centerline, 4758' MSL.

Road beginning 1429' from DER, extending 869' left of centerline to 278' right of centerline, 4769' MSL.

Vertical structures 1577' from DER, 497' left of centerline, 5' AGL/4754' MSL.

Tree 2269' from DER, 412' left of centerline, 25' AGL/4785' MSL.

Poles beginning 4292' from DER, 1225' right of centerline, 50' AGL/4891' MSL.

Road beginning 4577' from DER, 1627' left of centerline, 4898' MSL.

Terrain beginning 4824' from DER, 30' left of centerline, 4932' MSL.

Agriculture equipment beginning 5237' DER, extending 71' left of centerline to 1202' right of centerline, 15' AGL/4845' MSL.

DEER PARK, WA

DEER PARK (DEW)

TAKEOFF MINIMUMS AND (OBSTACLE) DEPARTURE PROCEDURES

AMDT 1A 15JUN23 (23166) (FAA)

TAKEOFF MINIMUMS:

Rwy 34, 300-1½ or std. w/min. climb of 455' per NM to 2500.

DEPARTURE PROCEDURE:

Rwy 5, climbing right turn heading 165° and GEG VORTAC R-013 to GEG VORTAC.

Rwy 16, climb heading 164° and GEG VORTAC R-013 to GEG VORTAC.

Rwy 23, climbing left turn heading 155° and GEG VORTAC R-013 to GEG VORTAC.

Rwy 34, climbing right turn heading 165° and GEG VORTAC R-013 to GEG VORTAC.

TAKEOFF OBSTACLE NOTES:

Rwy 5, tree 1672' from DER, 493' right of centerline, 2269' MSL.

Trees, beginning 1808' from DER, 413' left of centerline, up to 2262' MSL.

Trees, beginning 1865' from DER, 373' right of centerline, up to 2278' MSL.

Tree 3433' from DER, 386' right of centerline, 2287' MSL.

Tree 3816' from DER, 701' right of centerline, 2300' MSL.

Tree 4038' from DER, 615' right of centerline, 2304' MSL.

Tree 4216' from DER, 495' right of centerline, 2306' MSL.

Trees, beginning 4273' from DER, 484' left of centerline, up to 100' AGL/2312' MSL.

Tree 5102' from DER, 1861' left of centerline, 100' AGL/2315' MSL.

Tree 5606' from DER, 1931' left of centerline, 100' AGL/2325' MSL.

Rwy 16, lighting 18' from DER, 112' right of centerline, 2' AGL/2187' MSL.

Tree 344' from DER, 574' left of centerline, 60' AGL/2234' MSL.

Trees, beginning 468' from DER, 582' left of centerline, up to 102' AGL/2274' MSL.

Tree 2322' from DER, 775' right of centerline, 79' AGL/2248' MSL.

Trees, beginning 2460' from DER, 621' right of centerline, up to 95' AGL/2263' MSL.

Trees, beginning 2609' from DER, 647' right of centerline, up to 111' AGL/2275' MSL.

Tree 2979' from DER, 632' right of centerline, 114' AGL/2276' MSL.

Rwy 23, AG equip 104' from DER, 113' right of centerline, 3' AGL/2192' MSL.

Building 920' from DER, 739' right of centerline, 19' AGL/2213' MSL.

Building 1006' from DER, 637' right of centerline, 24' AGL/2217' MSL.

Tree 1296' from DER, 566' right of centerline, 51' AGL/2244' MSL.

Trees, beginning 1460' from DER, 211' right of centerline, up to 2270' MSL.

Rwy 34, lighting, terrain, sign, beginning 2' from DER, 196' left of centerline, up to 2' AGL/2213' MSL.

Fence 110' from DER, 370' right of centerline, 9' AGL/2215' MSL.

Trees, beginning 2126' from DER, 364' right of centerline, up to 55' AGL/2275' MSL.

Tree 2146' from DER, 675' right of centerline, 54' AGL/2277' MSL.

Tree 2186' from DER, 870' right of centerline, 55' AGL/2278' MSL.

Tree 2219' from DER, 521' right of centerline, 2293' MSL.

Trees, beginning 2256' from DER, 296' right of centerline, up to 77' AGL/2300' MSL.

Trees, beginning 2336' from DER, 259' right of centerline, up to 90' AGL/2315' MSL.

Trees, beginning 2705' from DER, 336' left of centerline, up to 2307' MSL.

CON'T

TAKEOFF MINIMUMS, (OBSTACLE) DEPARTURE PROCEDURES, AND DIVERSE VECTOR AREA (RADAR VECTORS)

24025

TAKEOFF MINIMUMS, (OBSTACLE) DEPARTURE PROCEDURES, AND DIVERSE VECTOR AREA (RADAR VECTORS)

24025

DEER PARK, WA (CON'T)

DEER PARK (DEW) (CON'T)

Rwy 34 (CON'T), trees, beginning 2756' from DER, 52' right of centerline, up to 96' AGL/2323' MSL.
Trees, beginning 3077' from DER, 49' left of centerline, up to 2316' MSL.
Trees, beginning 3162' from DER, 92' left of centerline, up to 99' AGL/2320' MSL.
Trees, beginning 3393' from DER, 19' left of centerline, up to 99' AGL/2323' MSL.
Trees, beginning 3491' from DER, 245' right of centerline, up to 105' AGL/2337' MSL.
Trees, beginning 3764' from DER, 27' right of centerline, up to 110' AGL/2346' MSL.
Trees, beginning 3993' from DER, 31' right of centerline, up to 113' AGL/2351' MSL.
Tree 4328' from DER, 64' left of centerline, 2324' MSL.
Trees, beginning 4338' from DER, 623' left of centerline, up to 105' AGL/2328' MSL.
Tree 4571' from DER, 1574' left of centerline, 113' AGL/2334' MSL.
Tree 4680' from DER, 1564' left of centerline, 113' AGL/2335' MSL.
Tree 4730' from DER, 1653' left of centerline, 117' AGL/2342' MSL.

DIVERSE VECTOR AREA (RADAR VECTORS)

AMDT 1 10SEP20 (20254) (FAA)

Rwy 16, heading as assigned by ATC.

Rwy 34, heading as assigned by ATC, requires min. climb of 260' per NM to 2500. Do not exceed 240K until on assigned heading.

DILLON, MT

DILLON (DLN)

TAKEOFF MINIMUMS AND (OBSTACLE) DEPARTURE PROCEDURES

AMDT 3A 15OCT15 (15288) (FAA)

TAKEOFF MINIMUMS:

Rwy 4, NA-Obstacles.

Rwy 35, DME required.

Rwy 17, std. w/min. climb of 219' per NM to 6400 or 3700-3 for climb in visual conditions.

Rwy 22, 3700-3 for climb in visual conditions

DEPARTURE PROCEDURE:

Rwy 17, climbing right turn heading 042° thence ...

... for climb in visual conditions cross Dillon airport at or above 9000 before proceeding on course. When executing VCOA, notify ATC prior to departure.

Rwy 22, for climb in visual conditions cross Dillon airport at or above 9000 before proceeding on course. When executing VCOA, notify ATC prior to departure.

Rwy 35, climbing right turn thence ...

... climb to 8900 on DLN R-005 to YARUP/DLN 19 DME fix. Aircraft departing north on V21 continue climb to MEA and proceed on course. Aircraft departing south on V121 and V21-257, climbing left turn heading 140° to intercept DLN R-005 southbound, cross DLN VOR/DME at or above 10000 before proceeding on course.

TAKEOFF OBSTACLE NOTES:

Rwy 17, light 7' from DER, 27' left of centerline, 3' AGL/5247' MSL.

Vehicles on roadway beginning 13' from DER, left and right of centerline, up to 15' AGL/5262' MSL.

Pole 850' from DER, 507' left of centerline, 33' AGL/5274' MSL.

Rwy 22, light 10' from DER, 20' right of centerline, 2' AGL/5223' MSL.

Vehicles on roadway beginning 13' from DER, left and right of centerline, up to 15' AGL/5236' MSL.

Rwy 35, vehicles on roadway beginning 6' from DER, left and right of centerline, up to 15' AGL/5170' MSL.

Light 9' from DER, 27' left of centerline, 2' AGL/5158' MSL.

DIXON, WY

DIXON (DWX)

TAKEOFF MINIMUMS AND (OBSTACLE) DEPARTURE PROCEDURES

ORIG 12OCT17 (17285) (FAA)

DEPARTURE PROCEDURE:

Rwy 6, use CARBON RNAV DEPARTURE.

Rwy 24, use DIXON RNAV DEPARTURE.

DOUGLAS, WY

CONVERSE COUNTY (DGW)

TAKEOFF MINIMUMS AND (OBSTACLE) DEPARTURE PROCEDURES

AMDT 1A 30MAY13 (13150) (FAA)

TAKEOFF MINIMUMS:

Rwy 5, 300-2 or std. w/min. climb of 271' per NM to 5200.

Rwy 23, 1700-3 or std. with a min. climb of 260' per NM to 7200.

DEPARTURE PROCEDURE:

Rwy 5, climbing right turn via IIP VOR/DME R-342 to IIP VOR/DME.

Rwy 11, climbing right turn via IIP VOR/DME R-312 to IIP VOR/DME.

Rwy 23, climbing left turn via IIP VOR/DME R-264 to IIP VOR/DME.

Rwy 29, climbing right turn via IIP VOR/DME R-325 to IIP VOR/DME.

All aircraft departing IIP R-253 CW R-180 climb on course. All others continue climb in IIP VOR/DME holding pattern (NW, left turns, 125° inbound) to cross IIP VOR/DME at or above: R-181 CW R-199 9600; R-200 CW R-252 8000.

CON'T

TAKEOFF MINIMUMS, (OBSTACLE) DEPARTURE PROCEDURES, AND DIVERSE VECTOR AREA (RADAR VECTORS)

24025

NW-1

TAKEOFF MINIMUMS, (OBSTACLE) DEPARTURE PROCEDURES, AND DIVERSE VECTOR AREA (RADAR VECTORS)

24025

DOUGLAS, WY (CON'T)

CONVERSE COUNTY (DGW) (CON'T)

TAKEOFF OBSTACLE NOTES:

Rwy 5, trees 1883' from DER, 549' right of centerline, 35' AGL/5014' MSL.
Trees 3407' from DER, 209' right of centerline, 35' AGL/5074' MSL.
Trees 5458' from DER, 1954' right of centerline, 35' AGL/5132' MSL.
Terrain 5020' from DER, 1805' right of centerline, 5089' MSL.
Rwy 23, trees 2068' from DER, 1008' left of centerline, 35' AGL/4994' MSL.
Trees 3130' from DER, 1215' left of centerline, 35' AGL/5014' MSL.

DRIGGS, ID

DRIGGS/REED MEML (DIJ)

TAKEOFF MINIMUMS AND (OBSTACLE) DEPARTURE PROCEDURES

AMDT 3A 25FEB21 (23278) (FAA)

DEPARTURE PROCEDURE:

Use LAMON (RNAV) DEPARTURE.

TAKEOFF OBSTACLE NOTES:

Rwy 4, fence 35' from DER, 288' right of centerline, 5' AGL/6238' MSL.
Tree 498' from DER, 266' right of centerline, 6246' MSL.
Tree 1029' from DER, 402' left of centerline, 6266' MSL.
Vehicle on road 1320' from DER, 17' left of centerline, 15' AGL/6246' AGL.
Vehicle on road 1355' from DER, 264' right of centerline, 15' AGL/6267' MSL.
Tree 1908' from DER, 409' right of centerline, 6282' MSL.
Rwy 22, multiple buildings beginning 73' from DER, 463' right of centerline, up to 50' AGL/6167' MSL.

EASTSOUND, WA

ORCAS ISLAND (ORS)

TAKEOFF MINIMUMS AND (OBSTACLE) DEPARTURE PROCEDURES

AMDT 4 04FEB16 (22083) (FAA)

TAKEOFF MINIMUMS:

Rwy 16, 3200-3 for VCOA.
Rwy 34, 500-3 or std. w/min. climb of 224' per NM to 600.

DEPARTURE PROCEDURE:

Rwy 34, climbing right turn to intercept HUH VORTAC R-210 to HUH VORTAC, thence...
...climb in HUH holding pattern, hold south, left turns, 352° inbound, to cross HUH VORTAC at or above 3800 before proceeding on course.

VCOA:

Rwy 16, obtain ATC approval for climb in visual conditions when requesting IFR clearance. Climb in visual conditions to cross Orcas Island airport at or above 3200 before proceeding on course.

TAKEOFF OBSTACLE NOTES:

Rwy 16, terrain beginning 9' from DER, 125' right of centerline, 37' MSL.
Vehicles on road and tree beginning 15' from DER, 362' right of centerline, up to 15' AGL/66' MSL.
Vehicles on road beginning 61' from DER, 301' left of centerline, 15' AGL/51' MSL.
Building and rising terrain beginning 102' from DER, 259' right of centerline, up to 35' AGL/71' MSL.
Tree 182' from DER, 393' right of centerline, up to 35' AGL/89' MSL.
Trees beginning 194' from DER, 466' right of centerline, up to 95' AGL/151' MSL.
Windsock, fence, and trees beginning 196' from DER, left and right of centerline, up to 65' AGL/106' MSL.
Trees on rising terrain beginning 591' from DER, left and right of centerline, up to 80' AGL/120' MSL.
Building and trees on rising terrain beginning 939' from DER, left and right of centerline, up to 100' AGL/177' MSL.
Buildings and trees beginning 1096' from DER, left and right of centerline, up to 100' AGL/182' MSL.
Pole, building, and trees beginning 1751' from DER, left and right of centerline, up to 100' AGL/199' MSL.
Trees beginning 2059' from DER, left and right of centerline, up to 100' AGL/208' MSL.
Trees beginning 2104' from DER, left and right of centerline, up to 100' AGL/224' MSL.
Trees beginning 2244' from DER, left and right of centerline, up to 100' AGL/225' MSL.
Trees beginning 2104' from DER, left and right of centerline, up to 100' AGL/224' MSL.
Building and trees on rising terrain beginning 2519' from DER, left and right of centerline, up to 100' AGL/245' MSL.
Trees beginning 2883' from DER, 884' right of centerline, up to 100' AGL/258' MSL.
Trees beginning 2909' from DER, 243' left of centerline to 1169' right of centerline, up to 100' AGL/327' MSL.
Tree 2972' from DER, 1074' right of centerline, 100' AGL/344' MSL.
Trees beginning 2986' from DER, 14' right of centerline, up to 100' AGL/366' MSL.
Building and trees beginning 3092' from DER, from 397' left of centerline to 1133' right of centerline, up to 100' AGL/381' MSL.
Trees beginning 3133' from DER, 191' left of centerline to 1336' right of centerline, up to 100' AGL/400' MSL.
Building and trees on rising terrain beginning 3280' from DER, 90' right of centerline, up to 100' AGL/410' MSL.
Rwy 34, tree and vehicles on road beginning 3' from DER, 106' right of centerline, up to 15' AGL/29' MSL.
Tree, fence, and vehicles on road beginning 18' from DER, 155' left of centerline, up to 15' AGL/22' MSL.
Tree 192' from DER, 427' left of centerline, 35' AGL/50' MSL.
Trees beginning 201' from DER, 266' left of centerline, up to 40' AGL/68' MSL.
Building and trees beginning 275' from DER, 366' left of centerline, up to 45' AGL/71' MSL.
Vehicles on road beginning 321' from DER, from 109' left to 611' right of centerline, up to 15' AGL/30' MSL.
Trees beginning 2.5 NM from DER, 82' right of centerline up to 100' AGL/339' MSL.

22 FEB 2024 to 21 MAR 2024

22 FEB 2024 to 21 MAR 2024

TAKEOFF MINIMUMS, (OBSTACLE) DEPARTURE PROCEDURES, AND DIVERSE VECTOR AREA (RADAR VECTORS)

24025

NW-1

TAKEOFF MINIMUMS, (OBSTACLE) DEPARTURE PROCEDURES, AND DIVERSE VECTOR AREA (RADAR VECTORS)

24025

ELLENSBURG, WA

BOWERS FLD (ELN)

TAKEOFF MINIMUMS AND (OBSTACLE) DEPARTURE PROCEDURES

AMDT 2C 28FEB19 (21196) (FAA)

TAKEOFF MINIMUMS:

Rwy 11, 4600-3 or std. w/min. climb of 290' per NM to 7800.

Rwy 29, 4600-3 or std. w/min. climb of 320' per NM to 7800.

DEPARTURE PROCEDURE:

Rwy 11, climbing left turn direct ELN VOR/DME.

Rwy 29, climbing right turn direct ELN VOR/DME.

All aircraft, continue climbing in the ELN VOR/DME holding pattern (West, right turns, 087° inbound) to MEA/MOCA for route of flight.

TAKEOFF OBSTACLE NOTES:

Rwy 11, tree 1794' from DER, 676' left of centerline, 75' AGL/1822' MSL.

Rwy 29, fence and tree 152' from DER, 283' left of centerline, up to 11' AGL/1774' MSL.

Trees 144' from DER, 263' right of centerline, up to 19' AGL/1782' MSL.

Tree 1974' from DER, 463' right of centerline, 61' AGL/1824' MSL.

ENNIS, MT

ENNIS BIG SKY (EKS)

TAKEOFF MINIMUMS AND (OBSTACLE) DEPARTURE PROCEDURES

AMDT 1 17JUN21 (21168) (FAA)

DEPARTURE PROCEDURE:

Rwys 16, 34, Use ENNIS (RNAV) DEPARTURE.

TAKEOFF OBSTACLE NOTES:

Rwy 16, fence, vegetation, ridges beginning 105' from DER, 278' left of centerline, up to 5' AGL/5358' MSL.

Fence, ridges, vegetation beginning 185' from DER, 278' left of centerline, up to 5' AGL/5359' MSL.

Ridge 458' from DER, 570' left of centerline, 5362' MSL.

Power lines, building beginning 678' from DER, 463' left of centerline, up to 29' AGL/5393' MSL.

Power lines, tree, vehicles on road beginning 971' from DER, 458' left of centerline, up to 33' AGL/5396' MSL.

Rwy 34, ridge 71' from DER, 22' left of centerline, 5439' MSL.

Ridge 71' from DER, 228' right of centerline, 5450' MSL.

Ridge 192' from DER, 493' right of centerline, 5463' MSL.

Ridges, fence beginning 194' from DER, 6' left of centerline, up to 5442' MSL.

Fence, ridges beginning 199' from DER, 88' right of centerline, up to 5' AGL/5465' MSL.

Fence beginning 200' from DER, 27' left of centerline, up to 5' AGL/5447' MSL.

Ridges, vegetation beginning 401' from DER, 85' right of centerline, up to 5467' MSL.

Vegetation, terrain beginning 531' from DER, 413' right of centerline, up to 5471' MSL.

Ridges, vegetation beginning 575' from DER, 177' right of centerline, up to 5472' MSL.

Vegetation, terrain beginning 726' from DER, 70' right of centerline, up to 5474' MSL.

Ridges, vegetation beginning 775' from DER, 82' right of centerline, up to 5479' MSL.

Ridges, vegetation beginning 991' from DER, 257' right of centerline, up to 5482' MSL.

Terrain, vegetation beginning 1177' from DER, 257' right of centerline, up to 5484' MSL.

Vegetation, ridge line beginning 1331' from DER, 267' right of centerline, up to 5492' MSL.

Ridges, vegetation beginning 1400' from DER, 254' right of centerline, up to 5496' MSL.

Fence, ridges, vegetation beginning 1736' from DER, 310' right of centerline, up to 4' AGL/5508' MSL.

Ridges, vegetation beginning 2503' from DER, 761' right of centerline, up to 5510' MSL.

Ridges beginning 2590' from DER, 683' right of centerline, up to 5519' MSL.

Vegetation, ridges beginning 2740' from DER, 756' right of centerline, up to 5522' MSL.

Vegetation, ridges beginning 2932' from DER, 873' right of centerline, up to 5524' MSL.

Ridges, vegetation beginning 3097' from DER, 970' right of centerline, up to 5533' MSL.

Ridges, vegetation beginning 3578' from DER, 1045' right of centerline, up to 5539' MSL.

Ridges beginning 3736' from DER, 1138' right of centerline, up to 5543' MSL.

Ridges beginning 3951' from DER, 1280' right of centerline, up to 5546' MSL.

Ridges beginning 4064' from DER, 1447' right of centerline, up to 5548' MSL.

Ridges beginning 4401' from DER, 1461' right of centerline, up to 5549' MSL.

Ridges 4600' from DER, 1621' right of centerline, 5553' MSL.

Vehicles on road, ridges beginning 4765' from DER, 1620' right of centerline, up to 5571' MSL.

Ridge 5538' from DER, 1928' right of centerline, 5572' MSL.

Ridge 5734' from DER, 2007' right of centerline, 5578' MSL.

Trees beginning 1.1 NM from DER, 2014' right of centerline, 5615' MSL and 2242' right of centerline, up to 5628' MSL.

EPHRATA, WA

EPHRATA MUNI (EPH)

TAKEOFF MINIMUMS AND (OBSTACLE) DEPARTURE PROCEDURES

AMDT 3 07MAY09 (09127) (FAA)

TAKEOFF MINIMUMS:

Rwy 29, NA-Obstacles.

DEPARTURE PROCEDURE:

Rwy 3, climb heading 027° to 2300 before proceeding on course.

Rwy 11, climb heading 112° to 2200 before proceeding on course.

Rwy 21, climb heading 207° to 2800 before proceeding on course.

TAKEOFF MINIMUMS, (OBSTACLE) DEPARTURE PROCEDURES, AND DIVERSE VECTOR AREA (RADAR VECTORS)

24025

NW-1

TAKEOFF MINIMUMS, (OBSTACLE) DEPARTURE PROCEDURES, AND DIVERSE VECTOR AREA (RADAR VECTORS)

24025

EUGENE, OR

MAHLON SWEET FLD (EUG)

TAKEOFF MINIMUMS AND (OBSTACLE) DEPARTURE PROCEDURES

AMDT 7B 13SEP18 (21112) (FAA)

DEPARTURE PROCEDURE:

Rwy 16L, climb heading 164° to 1200 then climbing right turn...

Rwy 16R, climb heading 164° to 1200 then climbing right turn...

Rwy 34L, climb heading 344° to 1200 then climbing left turn...

Rwy 34R, climb heading 344° to 1200 then climbing left turn...

...all aircraft climb direct EUG VORTAC, then climb in hold in EUG VORTAC holding pattern (hold north, right turns 180° inbound) to cross EUG VORTAC at or above MEA before proceeding on course.

TAKEOFF OBSTACLE NOTES:

Rwy 16L, power poles beginning 1036' from DER, 74' right of centerline, up to 35' AGL/408' MSL.

Power poles beginning 1017' from DER, 211' left of centerline, up to 31' AGL/404' MSL.

Rwy 16R, tree 1991' from DER, 83' left of centerline, 54' AGL/419' MSL.

Trees beginning 1504' from DER, 489' right of centerline, up to 43' AGL/408' MSL.

Rwy 34L, tree 1597' from DER, 842' left of centerline, 50' AGL/404' MSL.

Rwy 34R, tree 2897' from DER, 606' right of centerline, 77' AGL/440' MSL.

Tree 2535' from DER, 643' left of centerline, 65' AGL/428' MSL.

EVANSTON, WY

EVANSTON-UNITA COUNTY BURNS FLD (EVW)

TAKEOFF MINIMUMS AND (OBSTACLE) DEPARTURE PROCEDURES

AMDT 2 03NOV22 (22307) (FAA)

DEPARTURE PROCEDURE:

Use FORT BRIDGER DEPARTURE.

EVERETT, WA

SEATTLE PAINE FLD INTL (PAE)

TAKEOFF MINIMUMS AND (OBSTACLE) DEPARTURE PROCEDURES

AMDT 3 10DEC15 (23278) (FAA)

DEPARTURE PROCEDURE:

Rwys 16L/R, climbing right turn, thence...

Rwys 34L/R, climbing left turn, thence...

...for aircraft departing on V287 westbound, climb on PAE VOR/DME R-236 to 3000. All others, climb direct PAE VOR/DME, climb in PAE VOR/DME holding pattern (NW, RT, 149° inbound) to MEA for route of flight before proceeding on course.

TAKEOFF OBSTACLE NOTES:

Rwy 16R, Rwy light 9' from DER, 15' right of centerline, 1' AGL/579' MSL.

Trees beginning 707' from DER, left and right of centerline, up to 116' AGL/625' MSL.

Tree 2130' from DER, 866' left of centerline, 151' AGL/660' MSL.

Trees beginning 2789' from DER, left and right of centerline, up to 163' AGL/698' MSL.

Trees beginning 3078' from DER, 238' left of centerline, up to 156' AGL/704' MSL.

Rwy 16L, poles, tower and tree beginning 107' from DER, left and right of centerline, up to 42' AGL/639' MSL.

Trees beginning 900' from DER, 477' left of centerline, up to 137' AGL/699' MSL.

Trees beginning 1412' from DER, left and right of centerline, up to 123' AGL/668' MSL.

Trees beginning 1785' from DER, 535' left of centerline, up to 155' AGL/700' MSL.

Tree 4646' from DER, 912' right of centerline, 178' AGL/717' MSL.

Rwy 34R, trees beginning 154' from DER, left and right of centerline, up to 86' AGL/648' MSL.

Tree 1324' from DER, 229' left of centerline, 97' AGL/655' MSL.

Trees beginning 2084' from DER, 548' right of centerline, up to 131' AGL/699' MSL.

Trees beginning 2720' from DER, 114' left of centerline, up to 135' AGL/690' MSL.

DIVERSE VECTOR AREA (RADAR VECTORS)

AMDT 1, 21JUL16 (16203)

Rwys 16L/R, 34L/R, heading as assigned by ATC.

FAIRCHILD AFB (KSKA)

SPOKANE, WA

TAKEOFF MINIMUMS AND (OBSTACLE) DEPARTURE PROCEDURES

AMDT 1 03MAY12 (12124)

DEPARTURE PROCEDURE:

Rwy 5, climb on track 051° to intercept SKA R-048 to 5300, then on course.

Rwy 23, climb on track 244° to 3400, then on course.

TAKEOFF OBSTACLE NOTES:

Rwy 23, potential Aircraft 65' AGL/2518' MSL, 98' from DER, 437' right of centerline.

Terrain 2477' MSL, 493' to 511' from DER, 751' to 761' right of centerline.

Terrain 2472' MSL, 1018' from DER, 621' right of centerline.

Terrain 2467' MSL, 208' from DER, 405' right of centerline.

TAKEOFF MINIMUMS, (OBSTACLE) DEPARTURE PROCEDURES, AND DIVERSE VECTOR AREA (RADAR VECTORS)

24025

NW-1

TAKEOFF MINIMUMS, (OBSTACLE) DEPARTURE PROCEDURES, AND DIVERSE VECTOR AREA (RADAR VECTORS)

24025

FAIRCHILD AFB (KSKA) (CON'T)

SPOKANE, WA (CON'T)

DIVERSE VECTOR AREA (RADAR VECTORS)

AMDT 1 23JUL15 (15204) (FAA)

Rwy 5, heading as assigned by ATC.**Rwy 23**, heading as assigned by ATC; requires min. climb of 270' per NM to 3100.

FORSYTH, MT

TILLITT FLD (1S3)

TAKEOFF MINIMUMS AND (OBSTACLE) DEPARTURE PROCEDURES

AMDT 1 26MAY16 (21336) (FAA)

TAKEOFF OBSTACLE NOTES:

Rwy 9, light support structure 10' from DER, 27' right of centerline, 2729' MSL.

Terrain 64' from DER, 214' left of centerline, 2730' MSL.

Road beginning 196' from DER, 535' right of centerline, up to 2743' MSL.

Road 529' from DER, 608' left of centerline, 2747' MSL.

Road beginning 540' from DER, 19' left of centerline, up to 2748' MSL.

Rwy 27, fence and light support structure abeam DER, 28' right of centerline, up to 2731' MSL.

Terrain 26' from DER, 220' right of centerline, 2737' MSL.

Road and terrain beginning 141' from DER, 196' right of centerline, up to 2742' MSL.

Terrain, road, building, and trees beginning 270' from DER, 445' right of centerline, up to 2760' MSL.

Terrain 479' from DER, 474' right of centerline, 2763' MSL.

Trees, road, and terrain beginning 500' from DER, 19' left of centerline, up to 2771' MSL.

FORT BENTON, MT

FORT BENTON (79S)

TAKEOFF MINIMUMS AND (OBSTACLE) DEPARTURE PROCEDURES

ORIG 15MAR07 (07074) (FAA)

TAKEOFF MINIMUMS:

Rwys 5, 23, std. w/ min. climb of 274' per NM to 8900 or 5100-3 for climb in visual conditions.

DEPARTURE PROCEDURE:

Rwy 5, 23, for climb in visual conditions: Cross Fort Benton Airport at or above 8900 MSL before proceeding on course.

FORT BRIDGER, WY

FORT BRIDGER (FBR)

TAKEOFF MINIMUMS AND (OBSTACLE) DEPARTURE PROCEDURES

AMDT 1 10OCT19 (19283) (FAA)

TAKEOFF MINIMUMS:

Rwys 7, 25, NA-Environmental.

DEPARTURE PROCEDURE:

Rwy 4, climbing left turn direct FBR VOR/DME, thence...**Rwy 22**, climbing right turn direct FBR VOR/DME, thence...

...continue climb in FBR VOR/DME holding pattern (hold northeast, right turn, 215° inbound) to MEA for route of flight.

TAKEOFF OBSTACLE NOTES:

Rwy 4, sign 14' from DER, 126' left of centerline, up to 4' AGL/7010' MSL.

Terrain beginning 16' from DER, 306' left of centerline, up to 7009' MSL.

Electrical system, NAVAID beginning 41' from DER, 111' right of centerline, up to 6' AGL/7009' MSL.

Buildings, vegetation beginning 83' from DER, 436' left of centerline, up to 15' AGL/7024' MSL.

Buildings, vegetation, traverse way beginning 92' from DER, 194' left of centerline, up to 17' AGL/7026' MSL.

Rwy 22, fence 5' from DER, 389' right of centerline, 6' AGL/7042' MSL.

Electrical system 40' from DER, 113' left of centerline, 5' AGL/7040' MSL.

Traverse way beginning 102' from DER, 265' right of centerline, up to 7051' MSL.

Vegetation 127' from DER, 388' left of centerline, 4' AGL/7044' MSL.

Fence 161' from DER, 404' left of centerline, 7' AGL/7047' MSL.

Traverse way 168' from DER, 418' left of centerline, 7056' MSL.

Traverse way 316' from DER, 416' left of centerline, 7057' MSL.

Traverse way beginning 461' from DER, 415' left of centerline, up to 7058' MSL.

Traverse way beginning 658' from DER, 111' left of centerline, up to 7059' MSL.

22 FEB 2024 to 21 MAR 2024

22 FEB 2024 to 21 MAR 2024

TAKEOFF MINIMUMS, (OBSTACLE) DEPARTURE PROCEDURES, AND DIVERSE VECTOR AREA (RADAR VECTORS)

24025

NW-1

TAKEOFF MINIMUMS, (OBSTACLE) DEPARTURE PROCEDURES, AND DIVERSE VECTOR AREA (RADAR VECTORS)

24025

FRIDAY HARBOR, WA

FRIDAY HARBOR (FHR)

TAKEOFF MINIMUMS AND (OBSTACLE) DEPARTURE PROCEDURES

AMDT 3A 28APR16 (16119) (FAA)

TAKEOFF MINIMUMS:

Rwy 34, 400-2.

DEPARTURE PROCEDURE:

Rwy 16, climb to 1000 on heading 161° then climbing left turn direct FHR NDB, thence ...

Rwy 34 climb to 1000 on heading 341° then climbing left turn direct FHR NDB, thence...

...continue climb-in-hold in FHR NDB holding pattern (Hold S, right turns, 339° inbound) to cross FHR NDB at or above 2300 before proceeding on course.

TAKEOFF OBSTACLE NOTES:

Rwy 16, trees beginning 556' from DER, 20' left of centerline, up to 85' AGL/212' MSL.

Trees, fence, and road beginning 27' from DER, 67' right of centerline, up to 85' AGL/220' MSL.

Rwy 34, trees, beacon and pole beginning 385' from DER, 92' left of centerline, up to 85' AGL/348' MSL.

Trees, building and antenna beginning 808' from DER, 16' right of centerline, up to 85' AGL/504' MSL.

GILLETTE, WY

NORTHEAST WYOMING RGNL (GCC)

TAKEOFF MINIMUMS AND (OBSTACLE) DEPARTURE PROCEDURES

AMDT 6 17JUN21 (21168) (FAA)

TAKEOFF MINIMUMS:

Rwy 16, std. w/min. climb of 291' per NM to 5300 or 1200-3 for VCOA.

Rwy 21, std. w/min. climb of 382' per NM to 5400 or 1200-3 for VCOA.

DEPARTURE PROCEDURE:

Rwy 16, climb heading 161° to 5300 before proceeding on course.

Rwy 21, climb heading 209° to 5400 before proceeding on course.

VCOA:

Rwys 16, 21, obtain ATC approval for VCOA when requesting IFR clearance. Climb in visual conditions to cross Northeast

Wyoming Rgnl airport at or above 5400 before proceeding on course.

TAKEOFF OBSTACLE NOTES:

Rwy 3, lighting 10' from DER, 47' left of centerline, 4318' MSL.

Lighting 20' from DER, 113' right of centerline, 4319' MSL.

Vehicle on road 414' from DER, 589' right of centerline, 4328' MSL.

Wind indicator 1415' from DER, 100' left of centerline, 4366' MSL.

Rwy 16, transmission line 1.6 NM from DER, 1353' left of centerline, 56' AGL/4677' MSL.

Pole, tree beginning 1.7 NM from DER, 300' right of centerline, up to 4643' MSL.

Transmission line 1.7 NM from DER, 1263' left of centerline, 30' AGL/4685' MSL.

Transmission line, pole beginning 1.9 NM from DER, 3335' left of centerline, up to 13' AGL/4696' MSL.

Rwy 21, lighting 10' from DER, 47' left of centerline, 4344' MSL.

Fence 328' from DER, 268' left of centerline, 4' AGL/4352' MSL.

Terrain 1241' from DER, 594' right of centerline, 4379' MSL.

Building 1266' from DER, 495' right of centerline, 10' AGL/4394' MSL.

Terrain 1959' from DER, 856' right of centerline, 4399' MSL.

Pole, transmission line beginning 3274' from DER, 1309' right of centerline, up to 4428' MSL.

Transmission line, pole beginning 3324' from DER, 960' right of centerline, up to 42' AGL/4429' MSL.

Pole, transmission line beginning 3477' from DER, 1111' right of centerline, up to 4436' MSL.

Pole, transmission line beginning 4850' from DER, 30' left of centerline, up to 4476' MSL.

Terrain 1 NM from DER, 2003' right of centerline, 4513' MSL.

Terrain beginning 1 NM from DER, 1779' right of centerline, up to 4535' MSL.

Terrain 1.1 NM from DER, 1761' right of centerline, 4541' MSL.

Terrain beginning 1.2 NM from DER, 1354' right of centerline, up to 4576' MSL.

Terrain 1.2 NM from DER, 1535' right of centerline, 4583' MSL.

Terrain beginning 1.2 NM from DER, 1993' right of centerline, up to 4694' MSL.

Pole, terrain beginning 1.2 NM from DER, 1984' right of centerline, up to 4' AGL/4699' MSL.

Transmission line, fence, terrain, pole, tree beginning 1.3 NM from DER, 318' right of centerline, up to 51' AGL/4738' MSL.

Terrain 1.6 NM from DER, 3' left of centerline, 4693' MSL.

Terrain beginning 1.6 NM from DER, 370' left of centerline, up to 4696' MSL.

Transmission line, pole beginning 1.7 NM from DER, 1924' right of centerline, up to 35' AGL/4743' MSL.

Transmission line, pole beginning 1.8 NM from DER, 1372' right of centerline, up to 38' AGL/4751' MSL.

Transmission line 1.8 NM from DER, 273' right of centerline, 57' AGL/4788' MSL.

Terrain beginning 1.8 NM from DER, 370' left of centerline, up to 4755' MSL.

Transmission line, terrain, pole, vehicle on road beginning 1.8 NM from DER, 126' right of centerline, up to 50' AGL/4791' MSL.

Terrain, transmission line beginning 1.8 NM from DER, 91' left of centerline, up to 4848' MSL.

Transmission line 2.1 NM from DER, 3499' left of centerline, 70' AGL/4879' MSL.

Transmission line, terrain, tower, pole, antenna beginning 2.1 NM from DER, 428' left of centerline, up to 74' AGL/4929' MSL.

MSL.

Rwy 34, fence 1236' from DER, 723' left of centerline, 2' AGL/4380' MSL.

Vehicle on road beginning 1608' from DER, 419' left of centerline, up to 4393' MSL.

Vehicle on road 1610' from DER, 716' left of centerline, 4394' MSL.

22 FEB 2024 to 21 MAR 2024

22 FEB 2024 to 21 MAR 2024

TAKEOFF MINIMUMS, (OBSTACLE) DEPARTURE PROCEDURES, AND DIVERSE VECTOR AREA (RADAR VECTORS)

24025

NW-1

TAKEOFF MINIMUMS, (OBSTACLE) DEPARTURE PROCEDURES, AND DIVERSE VECTOR AREA (RADAR VECTORS)

24025

GLASGOW, MT

WOKAL FLD/GLASGOW-VALLEY COUNTY (GGW)

TAKEOFF MINIMUMS AND (OBSTACLE) DEPARTURE PROCEDURES

ORIG-A 15AUG19 (21112) (FAA)

TAKEOFF OBSTACLE NOTES:

- Rwy 8**, terrain 10' from DER, 429' right of centerline, 2307' MSL.
Terrain beginning 10' from DER, 125' right of centerline, up to 2317' MSL.
Terrain 11' from DER, 178' left of centerline, 2307' MSL.
Terrain beginning 11' from DER, 177' left of centerline, up to 2313' MSL.
Terrain 215' from DER, 481' left of centerline, 2320' MSL.
Terrain beginning 418' from DER, 481' left of centerline, up to 2327' MSL.
- Rwy 12**, terrain beginning 62' from DER, 131' right of centerline, up to 2313' MSL.
Terrain 355' from DER, 9' left of centerline, 2297' MSL.
- Rwy 26**, terrain 68' from DER, 492' right of centerline, 2320' MSL.
Terrain beginning 68' from DER, 188' right of centerline, up to 2323' MSL.
Terrain beginning 69' from DER, 115' left of centerline, up to 2323' MSL.
Terrain beginning 272' from DER, 188' right of centerline, up to 2330' MSL.
Terrain beginning 272' from DER, 115' left of centerline, up to 2327' MSL.
Terrain beginning 475' from DER, 189' right of centerline, up to 2336' MSL.
Terrain 475' from DER, 114' left of centerline, 2330' MSL.
Terrain beginning 476' from DER, 114' left of centerline, up to 2333' MSL.
Terrain beginning 678' from DER, 189' right of centerline, up to 2340' MSL.
Terrain beginning 679' from DER, 114' left of centerline, up to 2336' MSL.
Terrain beginning 882' from DER, 112' left of centerline, up to 2340' MSL.
- Rwy 30**, terrain beginning 19' from DER, 178' right of centerline, up to 2317' MSL.
Terrain beginning 101' from DER, 102' left of centerline, up to 2327' MSL.
Terrain beginning 230' from DER, 38' right of centerline, up to 2336' MSL.
Terrain beginning 815' from DER, 24' left of centerline, up to 2333' MSL.
Terrain 880' from DER, 335' right of centerline, 2340' MSL.
Terrain beginning 944' from DER, 53' right of centerline, up to 2343' MSL.
Terrain beginning 1319' from DER, 87' left of centerline, up to 2336' MSL.

GLENDIVE, MT

DAWSON COMMUNITY (GDV)

TAKEOFF MINIMUMS AND (OBSTACLE) DEPARTURE PROCEDURES

ORIG 25AUG11 (11237) (FAA)

TAKEOFF OBSTACLE NOTES:

- Rwy 12**, light support structure beginning 8' from DER, left and right of centerline, up to 15' AGL/2456' MSL.
Vehicle on road 514' from DER, 555' left of centerline, 56' AGL/2468' MSL.
Windsock 6' from DER, 301' left of centerline, 29' AGL/2464' MSL.
- Rwy 20**, vehicle on road beginning 367' from DER, left and right of centerline, up to 36' AGL/2471' MSL.
- Rwy30**, trees beginning 311' from DER, 511' left of centerline, up to 10' AGL/2487' MSL.
Light support structures beginning 8' from DER, left and right of centerline, up to 9' AGL/2460' MSL.
Fence beginning 193' from DER, left and right of centerline, up to 34' AGL/2468' MSL.
Sign 27' from DER, 200' left of centerline, 9' AGL/2460' MSL.
Vehicle on road beginning 298' from DER, left and right of centerline, up to 26' AGL/2477' MSL.
Vehicle on road beginning 427' from DER, 145' left of centerline, up to 26' AGL/2477' MSL.
Post 428' from DER, 241' left of centerline, 23' AGL/2474' MSL.

GOLD BEACH, OR

GOLD BEACH MUNI (4S1)

TAKEOFF MINIMUMS AND (OBSTACLE) DEPARTURE PROCEDURES

ORIG 02DEC21 (21336) (FAA)

DEPARTURE PROCEDURE:

Use NELL DEPARTURE.

TAKEOFF OBSTACLE NOTES:

- Rwy 16**, terrain 1' from DER, 198' left of centerline, 21' MSL.
Poles, sign beginning 12' from DER, 134' left of centerline, up to 34' AGL/58' MSL.
Pole, trees, building beginning 25' from DER, 222' left of centerline, up to 36' AGL/67' MSL.
Vegetation 34' from DER, 486' right of centerline, 2' AGL/25' MSL.
Tree 86' from DER, 290' right of centerline, 14' AGL/33' MSL.
Tree 229' from DER, 163' right of centerline, 19' AGL/36' MSL.
Tree 249' from DER, 260' right of centerline, 20' AGL/39' MSL.
Trees, terrain, pole, building, general utility beginning 355' from DER, 62' left of centerline, up to 69' AGL/98' MSL.
Tree 886' from DER, 16' right of centerline, 23' AGL/43' MSL.
Trees, building beginning 979' from DER, 183' left of centerline, up to 53' AGL/99' MSL.
Trees beginning 1275' from DER, 185' left of centerline, up to 62' AGL/111' MSL.
Trees beginning 2644' from DER, 199' left of centerline, up to 93' AGL/141' MSL.
Trees, building beginning 2763' from DER, 180' left of centerline, up to 98' AGL/145' MSL.
Tree 3148' from DER, 853' left of centerline, 89' AGL/173' MSL.
Trees beginning 3181' from DER, 883' left of centerline, up to 58' AGL/192' MSL.
Trees beginning 3296' from DER, 956' left of centerline, up to 68' AGL/243' MSL.
Trees beginning 3356' from DER, 900' left of centerline, up to 105' AGL/252' MSL.

CONT

TAKEOFF MINIMUMS, (OBSTACLE) DEPARTURE PROCEDURES, AND DIVERSE VECTOR AREA (RADAR VECTORS)

24025

NW-1

TAKEOFF MINIMUMS, (OBSTACLE) DEPARTURE PROCEDURES, AND DIVERSE VECTOR AREA (RADAR VECTORS)

24025

GOLD BEACH, OR (CON'T)

GOLD BEACH MUNI (4S1) (CON'T)

Rwy 16, trees beginning 3556' from DER, 760' left of centerline, up to 50' AGL/333' MSL.
 Tree 3686' from DER, 1179' left of centerline, 114' AGL/347' MSL.
 Trees, pole beginning 3698' from DER, 275' left of centerline, up to 87' AGL/392' MSL.
 Trees beginning 4184' from DER, 171' left of centerline, up to 1144' AGL/523' MSL.
 Pole, trees, terrain, vegetation, beginning 5445' from DER, 23' left of centerline, up to 109' AGL/560' MSL.
 Terrain 1.9 NM from DER, 2' right of centerline, 200' AGL/328' MSL.
 Terrain 2 NM from DER, 26' right of centerline, 200' AGL/342' MSL.
 Terrain 2.1 NM from DER, 76' right of centerline, 200' AGL/351' MSL.
 Terrain 2.2 NM from DER, 126' right of centerline, 200' AGL/365' MSL.
 Terrain 2.4 NM from DER, 0' right of centerline, 200' AGL/414' MSL.
 Terrain 2.5 NM from DER, 50' right of centerline, 200' AGL/430' MSL.
 Terrain, trees beginning 2.5 NM from DER, 149' left of centerline, up to 578' MSL.
 Terrain, trees beginning 2.5 NM from DER 1046 left of centerline, up to 601' MSL.
Rwy 34, fence, poles beginning 7' from DER, 157' left of centerline, up to 8' AGL/28' MSL.
 Pole 15' from DER, 318' right of centerline, 25' AGL/44' MSL.
 Poles, building, vegetation beginning 149' from DER, 17' left of centerline, up to 15' AGL/36' MSL.
 Building 2582' from DER, 159' right of centerline, 29' AGL/91' MSL.
 Building 2775' from DER, 139' right of centerline, 30' AGL/115' MSL.
 Trees beginning 2795' from DER, 21' right of centerline, up to 53' AGL/119' MSL.
 Trees beginning 2836' from DER, 65' left of centerline, up to 48' AGL/106' MSL.
 Tree 2900' from DER, 201' right of centerline, 50' AGL/134' MSL.
 Trees beginning 2941' from DER, 43' right of centerline, up to 32' AGL/136' MSL.
 Pole 2993' from DER, 10' left of centerline, 30' AGL/125' MSL.
 Trees beginning 3003' from DER, 2' left of centerline, up to 50' AGL/151' MSL.
 Pole, trees beginning 3163' from DER, 139' right of centerline, up to 40' AGL/143' MSL.
 Trees beginning 3250' from DER, 10' right of centerline, 60' AGL/157' MSL.
 Trees, terrain beginning 3265' from DER, 112' right of centerline, up to 42' AGL/155' MSL.
 Trees beginning 3399' from DER, 206' right of centerline, up to 37' AGL/171' MSL.
 Trees, building beginning 3483' from DER, 176' right of centerline, up to 48' AGL/194' MSL.
 Tree 3496' from DER, 1' left of centerline, 46' AGL/175' MSL.
 Trees, building, pole, terrain, vegetation beginning 3511' from DER, 2' left of centerline, up to 73' AGL/204' MSL.
 Trees, vegetation beginning 3523' from DER, 153' right of centerline, up to 65' AGL/229' MSL.
 Tree 3721' from DER, 1391' right of centerline, 29' AGL/238' MSL.
 Tree 3770' from DER, 298' right of centerline, 57' AGL/242' MSL.
 Trees, pole, building beginning 3787' from DER, 10' left of centerline, up to 79' AGL/213' MSL.
 Trees, terrain beginning 3792' from DER, 251' right of centerline, up to 64' AGL/282' MSL.
 Trees, building beginning 3920' from DER, 194' right of centerline, up to 108' AGL/327' MSL.
 Tree 4067' from DER, 882' right of centerline, 85' AGL/341' MSL.
 Trees beginning 4085' from DER, 385' right of centerline, up to 81' AGL/342' MSL.
 Tree 4106' from DER, 197' right of centerline, 92' AGL/354' MSL.
 Trees beginning 4188' from DER, 180' right of centerline, up to 101' AGL/355' MSL.
 Trees beginning 4249' from DER, 391' right of centerline, up to 93' AGL/361' MSL.
 Trees beginning 4294' from DER, 157' right of centerline, up to 134' AGL/367' MSL.
 Trees beginning 4335' from DER, 492' right of centerline, up to 127' AGL/379' MSL.
 Trees beginning 4403' from DER, 177' right of centerline, up to 138' AGL/383' MSL.
 Trees, building, terrain beginning 4562' from DER, 100' right of centerline, up to 93' AGL/401' MSL.
 Trees beginning 4972' from DER, 381' right of centerline, up to 112' AGL/509' MSL.
 Trees beginning 5091' from DER, 585' right of centerline, up to 125' AGL/534' MSL.
 Trees, terrain beginning 5114' from DER, 146' right of centerline, up to 118' AGL/547' MSL.
 Tree 5342' from DER, 1390' right of centerline, 111' AGL/573' MSL.
 Trees beginning 5378' from DER, 794' right of centerline, up to 124' AGL/586' MSL.
 Trees beginning 5482' from DER, 194' right of centerline, up to 123' AGL/588' MSL.
 Trees beginning 5543' from DER, 183' right of centerline, up to 114' AGL/625' MSL.
 Trees, terrain, vegetation, beginning 5629' from DER, 197' right of centerline, up to 115' AGL/628' MSL.

GOODING, ID

GOODING MUNI (GNG)

TAKEOFF MINIMUMS AND (OBSTACLE) DEPARTURE PROCEDURES

AMDT 1 31DEC20 (20366) (FAA)

DEPARTURE PROCEDURE:

Rwy 7, climb on heading 071° to 5000 before turning left.
Rwy 25, climb on heading 236° to 5500 before turning right.

TAKEOFF OBSTACLE NOTES:

Rwy 7, lighting 10' from DER, 17' left of centerline, 2' AGL/3734' MSL.
 Terrain 19' from DER, 255' right of centerline, 3740' MSL.
 Terrain, bushes, tree, beginning 59' from DER, 178' right of centerline, up to 100' AGL/3754' MSL.
 Terrain beginning 160' from DER, 209' right of centerline, up to 3755' MSL.
 Terrain beginning 310' from DER, 370' right of centerline, up to 3756' MSL.
 Terrain 503' from DER, 506' right of centerline, 3774' MSL.
 Terrain, fences, bushes beginning 575' from DER, 302' right of centerline, up to 100' AGL/3791' MSL.
 Terrain bushes beginning 853' from DER, 419' right of centerline, up to 100' AGL/3794 MSL.
 Bushes beginning 878' from DER, 482' right of centerline, up to 14' AGL/3796' MSL.
 Terrain, bushes beginning 935' from DER, 400' right of centerline, up to 14' AGL/3797' MSL.

TAKEOFF MINIMUMS, (OBSTACLE) DEPARTURE PROCEDURES, AND DIVERSE VECTOR AREA (RADAR VECTORS)

24025

TAKEOFF MINIMUMS, (OBSTACLE) DEPARTURE PROCEDURES, AND DIVERSE VECTOR AREA (RADAR VECTORS)

24025

GRANGEVILLE, ID

IDAHO COUNTY (GIC)

TAKEOFF MINIMUMS AND (OBSTACLE) DEPARTURE PROCEDURES

ORIG 10NOV16 (16315) (FAA)

TAKEOFF MINIMUMS:

Rwy 8, NA - Obstacles.

DEPARTURE PROCEDURE:

Rwy 26, Use MELLR DEPARTURE.

GRANTS PASS, OR

GRANTS PASS (3S8)

TAKEOFF MINIMUMS AND (OBSTACLE) DEPARTURE PROCEDURES

AMDT 1 26JUL12 (12208) (FAA)

TAKEOFF MINIMUMS:

Rwy 13, NA - terrain.**Rwy 31**, std. w/min. climb of 466' per NM to 4400.

DEPARTURE PROCEDURE:

Rwy 31, climb heading 320° and RBG R-169 to RBG VOR/DME before proceeding on course.

TAKEOFF OBSTACLE NOTES:

Rwy 31, trees beginning 188' from DER, 281' left of centerline, up to 100' AGL/1194' MSL.

Trees beginning 93' from DER, 283' right of centerline, up to 100' AGL/1194' MSL.

GRAY AAF (JOINT BASE LEWIS MCCHORD) (KGRF)

FORT LEWIS, WA

TAKEOFF MINIMUMS AND (OBSTACLE) DEPARTURE PROCEDURES

AMDT 4 02DEC21 (21336) (USA)

TAKEOFF MINIMUMS:

Rwy 15, 9900-5 for VCOA.**Rwy 33**, 9900-5 for VCOA.

VCOA:

All runways, obtain ATC approval for VCOA when requesting IFR clearance. Climb in visual conditions to cross Gray AAF (Joint Base Lewis McChord) at or above 10,100 before proceeding on course.

GREAT FALLS, MT

GREAT FALLS INTL (GTF)

TAKEOFF MINIMUMS AND (OBSTACLE) DEPARTURE PROCEDURES

AMDT 1A 07DEC17 (17341) (FAA)

TAKEOFF OBSTACLE NOTES:

Rwy 3, rwy light 9' from DER, 55' left of centerline, 2' AGL/3660' MSL.

Rwy light 9' from DER, 54' right of centerline, 2' AGL/3661' MSL.

Rwy 17, ground 30' from DER, 410' left of centerline, 3670' MSL.

Ground 182' from DER, 410' left of centerline, 3673' MSL.

Rwy 21, rwy light 10' from DER, 4' right of centerline, 2' AGL/3681' MSL.

Rwy light 10' from DER, 5' left of centerline, 2' AGL/3681' MSL.

Pole 1555' from DER, 787' left of centerline, 36' AGL/3731' MSL.

Rwy 35, ground 5' from DER, 208' right of centerline, 3641' MSL.

Ground 7' from DER, 374' right of centerline, 3642' MSL.

Ground 9' from DER, 193' right of centerline, 3641' MSL.

GREYBULL, WY

SOUTH BIG HORN COUNTY (GEY)

TAKEOFF MINIMUMS AND (OBSTACLE) DEPARTURE PROCEDURES

AMDT 2 12OCT17 (17285) (FAA)

TAKEOFF MINIMUMS:

Rwys 8, 16, 26, std. w/min. climb of 310' per NM to 4800 or 1600-3 for VCOA.**Rwy 34**, std. w/min. climb of 465' per NM to 4800 or 1600-3 for VCOA.

DEPARTURE PROCEDURE:

Rwy 8, climb to 4800 then climbing right turn thence...**Rwy 16**, climb to 4800 then climbing right turn thence...**Rwy 26**, climb to 4800 then climbing left turn thence...**Rwy 34**, climbing left turn thence...

...proceed direct GEY NDB. Climb in GEY holding pattern (hold southeast, left turns, 324° inbound) to cross GEY NDB at or above 8500 before proceeding on course.

VCOA:

Obtain ATC approval for VCOA when requesting IFR clearance. Climb in visual conditions to cross the GEY NDB at or above 5600. Continue Climb-in-hold at GEY NDB (hold southeast, left turns, 324° inbound) to cross GEY NDB at or above 8500 before proceeding on course.

CON'T

22 FEB 2024 to 21 MAR 2024

22 FEB 2024 to 21 MAR 2024

TAKEOFF MINIMUMS, (OBSTACLE) DEPARTURE PROCEDURES, AND DIVERSE VECTOR AREA (RADAR VECTORS)

24025

NW-1

TAKEOFF MINIMUMS, (OBSTACLE) DEPARTURE PROCEDURES, AND DIVERSE VECTOR AREA (RADAR VECTORS)

24025

GREYBULL, WY (CON'T)

SOUTH BIG HORN COUNTY (GEY) (CON'T)

TAKEOFF OBSTACLE NOTES:

Rwy 8, tree abeam DER, 313' left of centerline, 3921' MSL.
 Vehicle on road and bush beginning 8' from DER, 299' left of centerline, up to 15' AGL/3932' MSL.
 Fence beginning 15' from DER, 438' right of centerline, up to 6' AGL/3925' MSL.
 Fence beginning 74' from DER, 443' right of centerline, up to 11' AGL/3928' MSL.
 Buildings beginning 279' from DER, 408' right of centerline, up to 19' AGL/3935' MSL.
 Aircraft and vehicle on road beginning 337' from DER, 379' left of centerline, up to 3940' MSL.
 Building 398' from DER, 492' right of centerline, 22' AGL/3937' MSL.
 Poles beginning 425' from DER, 594' right of centerline, up to 33' AGL/3950' MSL.
Rwy 16, electrical system 9' from DER, 54' left of centerline, 10' AGL/3917' MSL.
 Light support structure 9' from DER, 55' right of centerline, 2' AGL/3917' MSL.
Rwy 26, fence beginning 3' from DER, 450' left of centerline, up to 7' AGL/3951' MSL.
 Tree 84' from DER, 178' right of centerline, 3944' MSL.
 Tree 171' from DER, 298' right of centerline, 14' AGL/3954' MSL.
 Fence beginning 181' from DER, 439' left of centerline, up to 3953' MSL.
 Fence 411' from DER, 436' left of centerline, 7' AGL/3954' MSL.
 Transmission line tower and trees beginning 523' from DER, 439' left of centerline, up to 22' AGL/3969' MSL.
 Pole 594' from DER, 300' right of centerline, 11' AGL/3959' MSL.
Rwy 26, trees beginning 2110' from DER, 958' left of centerline, up to 4028' MSL.
 Ridgeline and bush beginning 4119' from DER, 1513' right of centerline, up to 4102' MSL.
 Vehicle on road on ridgeline beginning 1.1 NM from DER, 2309' right of centerline, up to 4131' MSL.
 Vehicle on road on ridgeline beginning 1.1 NM from DER, 1750' right of centerline, up to 4136' MSL.
 Vehicle on road on ridgeline beginning 1.2 NM from DER, 1865' right of centerline, up to 4140' MSL.
Rwy 34, electrical system and light support structure 7' from DER, 55' left of centerline, up to 12' AGL/3906' MSL.
 Light support structure 7' from DER, 54' right of centerline, 2' AGL/3906' MSL.
 Ridgeline beginning 2.1 NM from DER, 3251' right of centerline, up to 4454' MSL.
 Ridgeline beginning 2.2 NM from DER, 2356' right of centerline, up to 4554' MSL.
 Ridgeline beginning 2.3 NM from DER, 1356' right of centerline, up to 4704' MSL.

GUERNSEY, WY

CAMP GUERNSEY (GUR)

TAKEOFF MINIMUMS AND (OBSTACLE) DEPARTURE PROCEDURES

AMDT 1A 25FEB21 (21056) (FAA)

TAKEOFF MINIMUMS:

Rwy 14, 300-2½ or std. w/ min. climb of 363' per NM to 4800.
Rwy 32, std. w/ min. climb of 410' per NM to 6500 or 2400-3 for climb in visual conditions.

DEPARTURE PROCEDURE:

Rwy 14, climb heading 141° to 5800 before proceeding on course.
Rwy 32, climbing right turn heading 070° to 6500 before proceeding on course or for climb in visual conditions cross Camp Guernsey Airport at or above 6700 before proceeding on course.

TAKEOFF OBSTACLE NOTES:

Rwy 14, vehicles on road 42' from DER, 209' right of centerline, up to 15' AGL/4334' MSL.
 Trees beginning 731' from DER, 336' right of centerline, up to 45' AGL/4564' MSL.
Rwy 32, trees beginning 181' from DER, 155' left of centerline, up to 45' AGL/4424' MSL.
 Trees beginning 999' from DER, 192' right of centerline, up to 45' AGL/4504' MSL.

HAILEY, ID

FRIEDMAN MEML (SUN)

TAKEOFF MINIMUMS AND (OBSTACLE) DEPARTURE PROCEDURES

AMDT 3 21JUL16 (21112) (FAA)

TAKEOFF MINIMUMS:

Rwy 31, NA - Obstacles.
Rwy 13, 900-2½ w/min. climb of 390' per NM to 7000, or std. w/min. climb of 605' per NM to 7000, or 3600-3 for climb in visual conditions.

DEPARTURE PROCEDURE:

Rwy 13, climb heading 147° and on 162° course to HLE NDB.

VCOA:

Obtain ATC approval for climb in visual conditions when requesting IFR clearance. Climb in visual conditions to cross Friedman Meml airport at or above 8800 on 155° course to HLE NDB.

TAKEOFF OBSTACLE NOTES:

Rwy 13, fence abeam DER, 398' right of centerline, 6' AGL/5262' MSL.
 Bushes beginning 24' from DER, 447' left of centerline, up to 4' AGL/5275' MSL.
 Vehicle on road 200' from DER, 373' left of centerline, up to 17' AGL/5279' MSL.
 Vehicle on road, multiple poles and trees beginning 234' from DER, 373' left of centerline, up to 5309' MSL.
 Tree 765' from DER, 698' right of centerline, 87' AGL/5341' MSL.
 Trees beginning 1006' from DER, 595' right of centerline, up to 100' AGL/5349' MSL.
 Trees beginning 1233' from DER, 459' right of centerline, up to 93' AGL/5344' MSL.
 Trees beginning 1408' from DER, 424' right of centerline, up to 5325' MSL.
 Trees beginning 1656' from DER, 116' right of centerline, up to 88' AGL/5339' MSL.
 Transmission tower 2079' from DER, 509' left of centerline, 66' AGL/5317' MSL.
 Trees 2104' from DER, 77' left of centerline, up to 75' AGL/5318' MSL.
 Trees 2351' from DER, 2' right of centerline, up to 91' AGL/5334' MSL.

TAKEOFF MINIMUMS, (OBSTACLE) DEPARTURE PROCEDURES, AND DIVERSE VECTOR AREA (RADAR VECTORS)

24025

NW-1

TAKEOFF MINIMUMS, (OBSTACLE) DEPARTURE PROCEDURES, AND DIVERSE VECTOR AREA (RADAR VECTORS)

24025

HAMILTON, MT

RAVALLI COUNTY (HRF)

TAKEOFF MINIMUMS AND (OBSTACLE) DEPARTURE PROCEDURES

AMDT 1 07OCT21 (21280) (FAA)

TAKEOFF MINIMUMS:

Rwy 17, NA-Obstacles.

DEPARTURE PROCEDURE:

Rwy 35, use HAMEY (RNAV) DEPARTURE.

TAKEOFF OBSTACLE NOTES:

Rwy 35, tree 548' from DER, 220' left of centerline, 3700' MSL.

Tree 564' from DER, 93' right of centerline, 3708' MSL.

Trees beginning 566' from DER, 35' right of centerline, up to 3717' MSL.

Trees beginning 575' from DER, 132' right of centerline, up to 3718' MSL.

Trees beginning 576' from DER, 48' left of centerline, up to 3715' MSL.

HARDIN, MT

BIG HORN COUNTY (00U)

TAKEOFF MINIMUMS AND (OBSTACLE) DEPARTURE PROCEDURES

ORIG 16JUL20 (20198) (FAA)

TAKEOFF MINIMUMS:

Rwy 26, 200-1¼ or std. w/min. climb of 204' per NM to 3300, or alternatively, with std. takeoff minimums and a normal 200' per NM climb gradient, takeoff must occur no later than 1200 feet prior to DER.

TAKEOFF OBSTACLE NOTES:

Rwy 26, trees 24' from DER, 126' right of centerline, 4' AGL/3027' MSL.

Vehicles on road 499' from DER, 604' right of centerline, up to 3047' MSL.

Vehicles on road beginning 852' from DER, 604' right of centerline, up to 3048' MSL.

Transmission line 1 NM from DER, 732' right of centerline, 94' AGL/3180' MSL.

HARLOWTON, MT

WHEATLAND COUNTY AT HARLOWTON (HWQ)

TAKEOFF MINIMUMS AND (OBSTACLE) DEPARTURE PROCEDURES

ORIG 30JAN20 (20030) (FAA)

TAKEOFF MINIMUMS:

Rwy 9, std. w/min. climb of 240' per NM to 12000, or 3400-3 for VCOA.**Rwy 27**, std. w/min. climb of 300 to 11000, or 3400-3 for VCOA.

DEPARTURE PROCEDURE:

Rwy 9, climb heading 088° to 6000 before proceeding on course.**Rwy 27**, climb heading 268° to 6000 before proceeding on course.

VCOA:

All runways, obtain ATC approval for VCOA when requesting IFR clearance. Climb in visual conditions to cross Wheatland County at Harlowton airport at or above 7600 before proceeding on course.

TAKEOFF OBSTACLE NOTES:

Rwy 9, lighting 10' from DER, 10' right of centerline, 2' AGL/4263' MSL.

Vegetation 52' from DER, 407' left of centerline, 4266' MSL.

Vehicles on road 121' from DER, 527' right of centerline, 15' AGL/4265' MSL.

Terrain beginning 3264' from DER, 473' left of centerline, up to 4350' MSL.

Rwy 27, lighting 10' from DER, 10' right of centerline, 2' AGL/4314' MSL.

Trees, building, fence, pole beginning 91' from DER, 34' left of centerline, up to 26' AGL/4333' MSL.

HAVRE, MT

HAVRE CITY-COUNTY (HVR)

TAKEOFF MINIMUMS AND (OBSTACLE) DEPARTURE PROCEDURES

AMDT 3 17DEC09 (09351) (FAA)

TAKEOFF MINIMUMS:

Rwy 8, 300-1¼ or std. w/ min. climb of 217' per NM to 3300.

DEPARTURE PROCEDURE:

Rwy 3, climb heading 032° to 3300 then climbing left turn to 8000 direct HVR VOR/DME thence...**Rwy 8**, climb heading 077° to 3300 then climbing left turn to 8000 via HVR R-025 to HVR VOR/DME thence...**Rwy 21**, climb heading 212° to 3300 then climbing right turn to 8000 direct HVR VOR/DME thence...**Rwy 26**, climb heading 257° to 3300 then climbing right turn to 8000 direct HVR VOR/DME thence...

...continue climb in hold in HVR VOR/DME holding pattern (hold west, right turns, 094° inbound) to cross HVR VOR/DME at or above 8000 before proceeding on course.

TAKEOFF OBSTACLE NOTES:

Rwy 3, pole 2682' from DER, 1044' left of centerline, 21' AGL/2680' MSL.**Rwy 8**, obstruction light on windsock 59' from DER, 224' left of centerline, 9' AGL/2588' MSL.

Tree 1192' from DER, 752' left of centerline, 25' AGL/2610' MSL.

Tank 1.3 NM from DER, 2287' left of centerline, 57' AGL/2797' MSL.

Rwy 26, light on windsock, 50' from DER, 225' right of centerline, 9' AGL/2589' MSL.

Trees beginning 1617' from DER, 650' right of centerline, 25' AGL/2659' MSL.

TAKEOFF MINIMUMS, (OBSTACLE) DEPARTURE PROCEDURES, AND DIVERSE VECTOR AREA (RADAR VECTORS)

24025

NW-1

22 FEB 2024 to 21 MAR 2024

22 FEB 2024 to 21 MAR 2024

TAKEOFF MINIMUMS, (OBSTACLE) DEPARTURE PROCEDURES, AND DIVERSE VECTOR AREA (RADAR VECTORS)

24025

HELENA, MT

HELENA RGNL (HLN)

TAKEOFF MINIMUMS AND (OBSTACLE) DEPARTURE PROCEDURES

AMDT 10A 23FEB23 (23054) (FAA)

TAKEOFF MINIMUMS:

Rwys 10, 17, 23, 28, 35, NA-Environmental.

DEPARTURE PROCEDURE:

Rwys 5, 9, 27, use DIVIDE DEPARTURE.

TAKEOFF OBSTACLE NOTES:

Rwy 5, rising terrain beginning 4' from DER, 373' right of centerline, up to 3826' MSL.

Terrain beginning 178' from DER, 447' right of centerline, up to 3827' MSL.

Fence beginning 358' from DER, 374' right of centerline, up to 3833' MSL.

Buildings beginning 1097' from DER, 616' right of centerline, up to 3854' MSL.

Rwy 9, terrain 14' from DER, 95' right of centerline, 3846' MSL.

Vehicle on road 1171' from DER, 677' right of centerline, 3876' MSL.

Vehicle on road 1275' from DER, 811' right of centerline, 3880' MSL.

Pole 1664' from DER, 815' right of centerline, 3887' MSL.

Rwy 27, terrain 64' from DER, 431' left of centerline, 3870' MSL.

Vehicles on roads, terrain and pole beginning 84' from DER, 118' left of centerline, up to 3886' MSL.

Vehicles on roads beginning 949' from DER, 625' left of centerline, up to 3894' MSL.

Pole 1474' from DER, 790' left of centerline, 3907' MSL.

Trees and buildings beginning 1582' from DER, 616' left of centerline, up to 3917' MSL.

Pole 2081' from DER, 1024' left of centerline, 3940' MSL.

Pole 2611' from DER, 1147' left of centerline, 3944' MSL.

HERMISTON, OR

HERMISTON MUNI (HRI)

TAKEOFF MINIMUMS AND (OBSTACLE) DEPARTURE PROCEDURES

ORIG-A 10NOV16 (16315) (FAA)

TAKEOFF OBSTACLE NOTES:

Rwy 5, tower 379' left of DER, 50' AGL/698' MSL.

Rwy 23, light pole 456' left of DER, 44' AGL/684' MSL.

HOQUIAM, WA

BOWERMAN (HQM)

TAKEOFF MINIMUMS AND (OBSTACLE) DEPARTURE PROCEDURES

AMDT 1 01APR93 (93091) (FAA)

TAKEOFF MINIMUMS:

Rwy 6, 600-2 or std. with a min. climb of 260' per NM to 600.

DEPARTURE PROCEDURE:

Rwy 6, climbing right turn heading 110°:

Rwy 24, climb runway heading.

All aircraft, climb to 600 continue climb on course.

HULETT, WY

HULETT MUNI (W43)

TAKEOFF MINIMUMS AND (OBSTACLE) DEPARTURE PROCEDURES

ORIG 20DEC07 (07354) (FAA)

TAKEOFF MINIMUMS:

Rwy 13, std. w/ min. climb of 450' per NM to 6300, or 500-2¼ w/ min. climb of 295' per NM to 7700, or 2200-3 for climb in visual conditions.

DEPARTURE PROCEDURE:

Rwy 13, climb to 7700 via heading 132° before proceeding on course, or climb in visual conditions: cross Hulett Muni Airport at or above 6300 before proceeding on course.

Rwy 31, climbing right turn on a heading between 090° clockwise to 115° from DER to 7700 before proceeding on course.

TAKEOFF OBSTACLE NOTES:

Rwy 13, road 398' from DER, 37' left of centerline, 15' AGL/4296' MSL.

Truck on road 1126' from DER, 346' right of centerline, 15' AGL/4334' MSL.

Trees beginning 4945' from DER, across centerline, up to 100' AGL/4657' MSL.

Rwy 31, terrain 104' from DER, 420' left of centerline, 4200' MSL.

Terrain 344' from DER, 233' left of centerline, 4207' MSL.

22 FEB 2024 to 21 MAR 2024

22 FEB 2024 to 21 MAR 2024

TAKEOFF MINIMUMS, (OBSTACLE) DEPARTURE PROCEDURES, AND DIVERSE VECTOR AREA (RADAR VECTORS)

24025

NW-1

TAKEOFF MINIMUMS, (OBSTACLE) DEPARTURE PROCEDURES, AND DIVERSE VECTOR AREA (RADAR VECTORS)

24025

IDAHO FALLS, ID

IDAHO FALLS RGNL (IDA)

TAKEOFF MINIMUMS AND (OBSTACLE) DEPARTURE PROCEDURES

AMDT 5 03JAN19 (19003) (FAA)

TAKEOFF MINIMUMS:

Rwy 17, NA - Environmental.

DEPARTURE PROCEDURE:

Rwys 3, 35, all aircraft departing 210° CW 040° climb on course, all others climbing left turn direct IDA VOR/DME thence...

Rwy 21, all aircraft departing 210° CW 020° climb on course, all others climbing right turn direct IDA VOR/DME thence...

...Continue climb in IDA VOR/DME holding pattern (hold south, left turn, 019° inbound) to cross IDA VOR/DME at or above MEA for route of flight.

TAKEOFF OBSTACLE NOTES:

Rwy 3, pole 1039' from DER, 758' left of centerline, 42' AGL/4762' MSL.

Rwy 35, vehicle on traverse way 410' from DER, 581' right of centerline, 4742' MSL.

Trees beginning 882' from DER, 503' right of centerline, up to 48' AGL/4769' MSL.

Pole 1034' from DER, 715' left of centerline, 37' AGL/4762' MSL.

JACKSON, WY

JACKSON HOLE (JAC)

TAKEOFF MINIMUMS AND (OBSTACLE) DEPARTURE PROCEDURES

AMDT 6 10JUN04 (04162) (FAA)

DEPARTURE PROCEDURE:

Rwy 1, use GEYSER DEPARTURE.

Rwy 19, use TETON DEPARTURE.

JEROME, ID

JEROME COUNTY (JER)

TAKEOFF MINIMUMS AND (OBSTACLE) DEPARTURE PROCEDURES

AMDT 3 30JAN20 (20030) (FAA)

TAKEOFF MINIMUMS:

Rwy 9, 500-1% or std. w/min. climb of 450' per NM to 4700.

DEPARTURE PROCEDURE:

Rwy 9, climb heading 086° to 5300 before proceeding on course.

Rwy 27, climb heading 266° to 4800 before proceeding on course.

TAKEOFF OBSTACLE NOTES:

Rwy 9, vegetation 140' from DER, 500' left of centerline, 10' AGL/4076' MSL.

Transmission line 600' from DER, 425' right of centerline, 33' AGL/4085' MSL.

Poles beginning 1052' from DER, 338' right of centerline, up to 35' AGL/4088' MSL.

Pole 1260' from DER, 298' right of centerline, 34' AGL/4090' MSL.

Pole 1432' from DER, 364' left of centerline, 33' AGL/4106' MSL.

Sign 1473' from DER, 548' left of centerline, 40' AGL/4119' MSL.

Tree and pole beginning 1651' from DER, 612' left of centerline, up to 39' AGL/4125' MSL.

Tree and building beginning 2084' from DER, 174' left of centerline, up to 41' AGL/4133' MSL.

Tree 2442' from DER, 101' left of centerline, 44' AGL/4137' MSL.

Pole 3699' from DER, 622' left of centerline, 37' AGL/4167' MSL.

Pole 3804' from DER, 33' left of centerline, 33' AGL/4169' MSL.

Pole 3858' from DER, 253' right of centerline, 37' AGL/4173' MSL.

Irrigation system 4752' from DER, 518' left of centerline, 12' AGL/4175' MSL.

Trees beginning 1 NM from DER, 2159' left of centerline, up to 50' AGL/4257' MSL.

Tree 1.1 NM from DER, 2277' left of centerline, 50' AGL/4260' MSL.

Tree 1.1 NM from DER, 2316' left of centerline, 50' AGL/4263' MSL.

Tree 1.2 NM from DER, 2356' left of centerline, 50' AGL/4266' MSL.

Tree 1.2 NM from DER, 2395' left of centerline, 50' AGL/4273' MSL.

Tree 1.2 NM from DER, 2434' left of centerline, 50' AGL/4279' MSL.

Tree 1.3 NM from DER, 2474' left of centerline, 50' AGL/4286' MSL.

Tree 1.3 NM from DER, 2513' left of centerline, 50' AGL/4299' MSL.

Trees beginning 1.3 NM from DER, 2253' left of centerline, up to 50' AGL/4306' MSL.

Tower and trees beginning 1.4 NM from DER, 2292' left of centerline, up to 250' AGL/4533' MSL.

Tree 1.4 NM from DER, 2670' left of centerline, 50' AGL/4283' MSL.

Rwy 27, fence beginning abeam DER, 440' left of centerline, up to 4' AGL/3969' MSL.

22 FEB 2024 to 21 MAR 2024

22 FEB 2024 to 21 MAR 2024

TAKEOFF MINIMUMS, (OBSTACLE) DEPARTURE PROCEDURES, AND DIVERSE VECTOR AREA (RADAR VECTORS)

24025

NW-1

TAKEOFF MINIMUMS, (OBSTACLE) DEPARTURE PROCEDURES, AND DIVERSE VECTOR AREA (RADAR VECTORS)

24025

JOSEPH, OR

JOSEPH STATE (JSY)

TAKEOFF MINIMUMS AND (OBSTACLE) DEPARTURE PROCEDURES

ORIG 20APR23 (23110) (FAA)

TAKEOFF MINIMUMS:

Rwy 15, NA-Terrain.

DEPARTURE PROCEDURE:

Rwy 33, climb on a heading between 318° CW 022° from DER to 12000 before proceeding on course.

TAKEOFF OBSTACLE NOTES:

Rwy 33, fence 16' from DER, 334' left of centerline, 4' AGL/4069' MSL.

Trees beginning 81' from DER, 115' right of centerline, up to 108' AGL/4165' MSL.

Electrical system 176' from DER, 326' left of centerline, 35' AGL/4097' MSL.

Trees beginning 311' from DER, 394' left of centerline, up to 81' AGL/4135' MSL.

Tree 477' from DER, 507' left of centerline, 88' AGL/4147' MSL.

Trees, poles, electrical systems beginning 499' from DER, 63' left of centerline, up to 92' AGL/4148' MSL.

JOHN DAY, OR

GRANT COUNTY RGNL/OGILVIE FLD (GCD)

TAKEOFF MINIMUMS AND (OBSTACLE) DEPARTURE PROCEDURES

AMDT 2 15SEP16 (21140) (FAA)

TAKEOFF MINIMUMS:

Rwys 9, 17, 35, NA, Terrain.

DEPARTURE PROCEDURE:

Rwy 27, climbing left turn to 12000 heading 270° and IMB R-100 to IMB VOR/DME, climb in IMB VOR/DME holding pattern (E, right turns, 280° inbound) to cross IMB VOR/DME at or above MEA for route of flight.

TAKEOFF OBSTACLE NOTES:

Rwy 27, fence beginning 195' from DER, 50' right of centerline, up to 16' AGL/3665' MSL.

Trees beginning 229' from DER, 261' right of centerline, up to 26' AGL/3662' MSL.

Bush 389' from DER, 438' right of centerline, 20' AGL/3659' MSL.

KALISPELL, MT

GLACIER PARK INTL (GPI)

TAKEOFF MINIMUMS AND (OBSTACLE) DEPARTURE PROCEDURES

AMDT 3 03AUG06 (06215) (FAA)

DEPARTURE PROCEDURE:

Use SKOTT DEPARTURE.

KELSO, WA

SOUTHWEST WASHINGTON RGNL (KLS)

TAKEOFF MINIMUMS AND (OBSTACLE) DEPARTURE PROCEDURES

AMDT 4 30JAN20 (20030) (FAA)

TAKEOFF MINIMUMS:

Rwy 12, NA-Terrain.

Rwy 30, use KELSO (RNAV) departure.

TAKEOFF OBSTACLE NOTES:

Rwy 30, poles 21' from DER, 299' right of centerline, 31' AGL/49' MSL.

Trees 92' from DER, 439' right of centerline, 59' MSL.

Poles beginning 190' from DER, 348' left of centerline, up to 29' AGL/49' MSL.

Trees, pole beginning 213' from DER, 43' right of centerline, up to 155' MSL.

Vehicles on road 387' from DER, 596' left of centerline, 57' MSL.

Towers 501' from DER, 425' left of centerline, 49' AGL/70' MSL.

Trees beginning 531' from DER, 201' left of centerline, up to 91' MSL.

Transmission lines beginning 1648' from DER, 644' left of centerline, up to 79' AGL/100' MSL.

Trees, transmission line beginning 1737' from DER, 17' left of centerline, up to 131' MSL.

Trees beginning 2235' from DER, 35' right of centerline, up to 157' MSL.

Trees, transmission line beginning 2335' from DER, 110' left of centerline, up to 146' MSL.

Trees 4956' from DER, 112' left of centerline, 164' MSL.

Trees beginning 1.9 NM from DER, 2281' right of centerline, up to 342' MSL.

Trees beginning 2 NM from DER, 980' right of centerline, up to 407' MSL.

Trees beginning 2.1 NM from DER, 364' right of centerline, up to 433' MSL.

Trees beginning 2.2 NM from DER, 2680' right of centerline, up to 477' MSL.

Towers, trees beginning 2.3 NM from DER, 2369' right of centerline, up to 105' AGL/569' MSL.

Trees beginning 2.4 NM from DER, 2095' right of centerline, up to 584' MSL.

22 FEB 2024 to 21 MAR 2024

22 FEB 2024 to 21 MAR 2024

TAKEOFF MINIMUMS, (OBSTACLE) DEPARTURE PROCEDURES, AND DIVERSE VECTOR AREA (RADAR VECTORS)

24025

NW-1

TAKEOFF MINIMUMS, (OBSTACLE) DEPARTURE PROCEDURES, AND DIVERSE VECTOR AREA (RADAR VECTORS)

24025

KEMMERER, WY

KEMMERER MUNI (EMM)

TAKEOFF MINIMUMS AND (OBSTACLE) DEPARTURE PROCEDURES

AMDT 3 08JAN15 (15008) (FAA)

TAKEOFF MINIMUMS:

Rwys 4, 10, 22, 28, NA - Rwy surfaces.

DEPARTURE PROCEDURE:

Rwy 16, climb heading 163° to 9100 then climbing left turn to intercept FBR VOR/DME R-330 to FBR VOR/DME before proceeding on course.

Rwy 34, climb heading 343° to 8200 then climbing right turn on heading 135° and FBR VOR/DME R-345 to FBR VOR/DME before proceeding on course.

TAKEOFF OBSTACLE NOTES:

Rwy 16, fence 17' from DER, 320' left of centerline, 8' AGL/7279' MSL.

Fence 150' from DER, 250' right of centerline, 9' AGL/7286' MSL.

Rwy 34, fence 73' from DER, 253' left of centerline, 7' AGL/7295' MSL.

KLAMATH FALLS, OR

CRATER LAKE/KLAMATH RGNL (LMT)

TAKEOFF MINIMUMS AND (OBSTACLE) DEPARTURE PROCEDURES

AMDT 5A 26MAY16 (22111) (FAA)

TAKEOFF MINIMUMS:

Rwy 7, NA-Terrain.

Rwy 14, std. w/min. climb of 300' per NM to 7100, or 3100-3 for VCOA.

Rwy 25, std. w/min. climb of 400' per NM to 7100, or 3100-3 for VCOA.

Rwy 32, std. w/min. climb of 350' per NM to 7100, or 3100-3 for VCOA.

DEPARTURE PROCEDURE:

Rwy 14, climb on heading 141° to 6500 then climbing right turn to intercept LMT R-181 to LMT VORTAC, thence...

Rwy 25, climb on heading 253° to 6000 then climbing right turn to intercept LMT R-306 to LMT VORTAC, thence...

Rwy 32, climb on heading 321° to 6700 then climbing left turn to intercept LMT R-277 to LMT VORTAC, thence...

... continue climb in LMT VORTAC holding pattern (hold W, RT, 070° inbound) to cross LMT VORTAC at or above MEA for route of flight before proceeding on course.

VCOA:

Rwys 14, 25, 32, obtain ATC approval for VCOA when requesting IFR clearance. Climb in visual conditions to cross Crater Lake/Klamath Rgnl airport at or above 7000 then climb direct LMT VORTAC, continue climb in LMT VORTAC holding pattern (hold W, right turns, 070° inbound) to cross LMT VORTAC at or above MEA for route of flight before proceeding on course.

TAKEOFF OBSTACLE NOTES:

Rwy 14, tree 3108' from DER, 1240' left of centerline, 88' AGL/4183' MSL.

Rwy 25, vehicle on road and railroad beginning 254' from DER, 127' left of centerline, up to 23' AGL/4113' MSL.

Tree 597' from DER, 419' left of centerline, 18' AGL/4122' MSL.

Tree and terrain beginning 8254' from DER, 2238' left of centerline, up to 100' AGL/4499' MSL.

Rwy 32, trees beginning 2625' from DER, 742' left of centerline, up to 100' AGL/4191' MSL.

LA GRANDE, OR

LA GRANDE/UNION COUNTY (LGD)

TAKEOFF MINIMUMS AND (OBSTACLE) DEPARTURE PROCEDURES

AMDT 4 07OCT21 (21280) (FAA)

DEPARTURE PROCEDURE:

Use LA GRANDE DEPARTURE.

TAKEOFF OBSTACLE NOTES:

Rwy 12, fence 8' from DER, 407' left of centerline, 4' AGL/2712' MSL.

Pole 144' from DER, 451' right of centerline, 10' AGL/2715' MSL.

Vehicle on road 208' from DER, 444' right of centerline, 2716' MSL.

Rwy 17, pole 105' from DER, 445' right of centerline, 30' AGL/2736' MSL.

Building 182' from DER, 493' left of centerline, 23' AGL/2733' MSL.

Pole 209' from DER, 445' right of centerline, 33' AGL/2741' MSL.

Tree 514' from DER, 527' right of centerline, 2753' MSL.

Transmission line 1615' from DER, 303' right of centerline, 45' AGL/2754' MSL.

Rwy 30, lighting 9' from DER, 29' right of centerline, 2' AGL/2719' MSL.

Lighting 9' from DER, 29' left of centerline, 2' AGL/2719' MSL.

Buildings beginning 12' from DER, 443' left of centerline, up to 24' AGL/2740' MSL.

Vehicles on road beginning 62' from DER, 408' right of centerline, up to 2722' MSL.

Rwy 35, building 600' from DER, 520' left of centerline, 22' AGL/2737' MSL.

Building 612' from DER, 597' left of centerline, 25' AGL/2738' MSL.

Building 620' from DER, 520' left of centerline, 24' AGL/2740' MSL.

TAKEOFF MINIMUMS, (OBSTACLE) DEPARTURE PROCEDURES, AND DIVERSE VECTOR AREA (RADAR VECTORS)

24025

TAKEOFF MINIMUMS, (OBSTACLE) DEPARTURE PROCEDURES, AND DIVERSE VECTOR AREA (RADAR VECTORS)

24025

LAKEVIEW, OR

LAKE COUNTY (LKV)

TAKEOFF MINIMUMS AND (OBSTACLE) DEPARTURE PROCEDURES

AMDT 3 22AUG13 (22139) (FAA)

TAKEOFF MINIMUMS:

Rwy 17, std. w/min. climb of 210' per NM to 6900, or 2600-3 for climb in visual conditions.

Rwy 35, std. w/min. climb of 270' per NM to 7600, or 2600-3 for climb in visual conditions.

DEPARTURE PROCEDURE:

Rwy 17, climbing right turn heading 310° to intercept LKV VORTAC R-158 to LKV VORTAC. Do not exceed 240 KIAS until established on the LKV VORTAC R-158, or for climb in visual conditions, cross Lake County airport at or above 7200, then proceed on LKV VORTAC R-147 to LKV VORTAC. When executing VCOA, notify ATC prior to departure, thence...

Rwy 35, climb heading 351° to intercept LKV VORTAC R-130 to LKV VORTAC, or for climb in visual conditions, cross Lake County airport at or above 7200, then proceed on LKV VORTAC R-147 to LKV VORTAC. When executing VCOA, notify ATC prior to departure, thence...

...continue climb in holding pattern (hold NW, right turns, 148° inbound) to cross LKV VORTAC at or above 9700.

TAKEOFF OBSTACLE NOTES:

Rwy 17, runway end identifier lights beginning 35' from DER, left and right of centerline, up to 2' AGL/4726' MSL.

LANDER, WY

HUNT FLD (LND)

TAKEOFF MINIMUMS AND (OBSTACLE) DEPARTURE PROCEDURES

ORIG 05DEC19 (21336) (FAA)

TAKEOFF MINIMUMS:

Rwy 22, std. w/min. climb of 495' per NM to 8500, or 6200-3 for VCOA.

DEPARTURE PROCEDURE:

Rwy 4, climb on heading between 320° CW to 130° from DER to 6000 before proceeding on course.

Rwy 22, climbing right turn to intercept RIW VOR R-220 to 8500 before proceeding on course. Do not exceed 240K until established direct RIW VOR.

VCOA:

Rwy 22, obtain ATC approval for VCOA when requesting IFR clearance. Climb in visual conditions to cross Hunt Fld at or above 11600 before proceeding on course.

TAKEOFF OBSTACLE NOTES:

Rwy 22, pole 5' from DER, 62' right of centerline, 5590' MSL.

Fence and vegetation beginning 22' from DER, 403' right of centerline, up to 8' AGL/5601' MSL.

Fence 80' from DER, 426' right of centerline, 14' AGL/5602' MSL.

NAVAID, wind indicator and fence beginning 100' from DER, 324' right of centerline, up to 19' AGL/5606' MSL.

Trees 149' from DER, 30' left of centerline, 5594' MSL.

Trees 1871' from DER, 555' right of centerline, 35' AGL/5645' MSL.

Trees 2659' from DER, 307' right of centerline, 5656' MSL.

Trees 3415' from DER, 393' left of centerline, 33' AGL/5675' MSL.

Trees beginning 3425' from DER, 309' left of centerline, up to 37' AGL/5682' MSL.

Trees 3429' from DER, 1359' left of centerline, 5684' MSL.

Trees beginning 3432' from DER, 378' left of centerline, up to 47' AGL/5689' MSL.

Trees beginning 3463' from DER, 229' left of centerline, up to 5694' MSL.

Trees, terrain beginning 3538' from DER, 135' left of centerline, up to 44' AGL/5697' MSL.

Trees and terrain beginning 3858' from DER, 322' left of centerline, up to 19' AGL/5703' MSL.

Trees, terrain and vegetation beginning 4029' from DER, 547' left of centerline, up to 34' AGL/5733' MSL.

LARAMIE, WY

LARAMIE RGNL (LAR)

TAKEOFF MINIMUMS AND (OBSTACLE) DEPARTURE PROCEDURES

AMDT 2 05APR12 (12096) (FAA)

DEPARTURE PROCEDURE:

Rwys 3, 12, 21, 30, use LARAMIE DEPARTURE.

LAUREL, MT

LAUREL MUNI (6S8)

TAKEOFF MINIMUMS AND (OBSTACLE) DEPARTURE PROCEDURES

AMDT 3 12DEC13 (13346) (FAA)

TAKEOFF MINIMUMS:

Rwys 9, 14, 27, 32, NA.

DEPARTURE PROCEDURE:

Rwy 4, climbing left turn direct BIL VORTAC, thence...

Rwy 22, climbing left turn direct BIL VORTAC, thence...

...if required, continue climb in BIL VORTAC holding pattern (hold W, right turns, 072° inbound) to cross BIL VORTAC at or above MEA/MCA for route of flight.

TAKEOFF OBSTACLE NOTES:

Rwy 4, ground beginning 47' from DER, 397' left of centerline, up to 3480' MSL.

Multiple trees beginning 309' from DER, 260' right of centerline, up to 68' AGL/3522' MSL.

Fence beginning 64' from DER, 281' left of centerline, up to 15' AGL/3469' MSL.

Rwy 22, ground beginning 34' from DER, 264' right of centerline, up to 3498' MSL.

TAKEOFF MINIMUMS, (OBSTACLE) DEPARTURE PROCEDURES, AND DIVERSE VECTOR AREA (RADAR VECTORS)

24025

NW-1

TAKEOFF MINIMUMS, (OBSTACLE) DEPARTURE PROCEDURES, AND DIVERSE VECTOR AREA (RADAR VECTORS)

24025

LEWISTON, ID

LEWISTON/NEZ PERCE COUNTY (LWS)

TAKEOFF MINIMUMS AND (OBSTACLE) DEPARTURE PROCEDURES

AMDT 4 05JAN17 (21336) (FAA)

TAKEOFF MINIMUMS:

Rwy 8, std. w/min. climb of 310' per NM to 3000 or 2500-3 for VCOA.

Rwy 12, std. w/min. climb of 280' per NM to 3000 or 2500-3 for VCOA.

Rwy 26, std. w/min. climb of 265' per NM to 3000 or 2500-3 for VCOA.

Rwy 30, std. w/min. climb of 260' per NM to 3000 or 2500-3 for VCOA.

DEPARTURE PROCEDURE:

Rwys 8, 12, 26, 30, climbing left turn direct MQG VOR/DME, continue climb in MQG holding pattern (hold SW, left turns, 066° inbound) to cross MQG VOR/DME at or above MEA/MCA for route of flight.

VCOA:

Rwys 8, 12, 26, 30, obtain ATC approval for VCOA when requesting IFR clearance. Climb in visual conditions to cross Lewiston/Nez Perce County airport at or above 3800 before proceeding on course.

TAKEOFF OBSTACLE NOTES:

Rwy 12, airport sign 14' from DER, 117' right of centerline, 3' AGL/1443' MSL.

Rwy 26, elec sys 31' from DER, 150' right of centerline, 13' AGL/1428' MSL.

Rwy 30, REIL 39' from DER, 113' left of centerline, 2' AGL/1373' MSL.

Trees beginning 543' from DER, 42' crossing centerline, 50' AGL/1398' MSL.

LEWISTOWN, MT

LEWISTOWN MUNI (LWT)

TAKEOFF MINIMUMS AND (OBSTACLE) DEPARTURE PROCEDURES

AMDT 5 15JUN23 (23166) (FAA)

TAKEOFF MINIMUMS:

Rwy 3, std. w/min. climb of 281' per NM to 6500.

Rwy 8, std. w/min. climb of 218' per NM to 5700, or 1700-3 for VCOA.

Rwy 13, std. w/min. climb of 257' per NM to 5300, or 1700-3 for VCOA.

DEPARTURE PROCEDURE:

Rwy 3, climbing left turn on heading 270° to intercept LWT R-032 to LWT VOR/DME.

Rwy 8, climb on heading 079° to 5700, then climbing right turn direct LWT VOR/DME.

Rwy 13, climb on heading 129° to 5300, then climbing right turn to intercept LWT R-122 to LWT VOR/DME.

Rwy 21, climb on heading 207° to 4600, then climbing right turn to intercept LWT R-136 to LWT VOR/DME.

Rwy 26, climb direct LWT VOR/DME.

Rwy 31, climb on heading 310° to intercept LWT R-025 to LWT VOR/DME.

All aircraft, continue climb in LWT holding pattern (hold west, right turns, 094° inbound) to cross LWT VOR/DME at or above MEA for route of flight.

VCOA:

Rwys 8, 13, obtain ATC approval for VCOA when requesting IFR clearance. Climb in visual conditions to cross Lewistown Muni airport direct LWT VOR/DME at or above 5900 before proceeding on course.

TAKEOFF OBSTACLE NOTES:

Rwy 13, tree 2.4 NM from DER, 1622' right of centerline, 4548' MSL.

Rwy 21, silo 1530' from DER, 294' left of centerline, 4210' MSL.

Elevator 1664' from DER, 330' left of centerline, 4214' MSL.

Rwy 26, terrain 104' from DER, 404' left of centerline, 4133' MSL.

Rwy 31, trees beginning 457' from DER, 340' left of centerline, up to 4156' MSL.

LEXINGTON, OR

LEXINGTON (9S9)

TAKEOFF MINIMUMS AND (OBSTACLE) DEPARTURE PROCEDURES

AMDT 1 02DEC21 (21336) (FAA)

TAKEOFF MINIMUMS:

Rwy 8, std. w/min. climb of 450' per NM to 4500, or 2100-3 for VCOA.

Rwy 26, std. w/min. climb of 300' per NM to 5000, or 2100-3 for VCOA.

VCOA:

Rwys 8, 26, obtain ATC approval for VCOA when requesting IFR clearance. Climb in visual conditions to cross Lexington airport at or above 3600 before proceeding on course.

TAKEOFF OBSTACLE NOTES:

Rwy 8, terrain beginning 12' from DER, 485' left of centerline, up to 1639' MSL.

NAVAID, vehicles on road beginning 105' from DER, 192' right of centerline, up to 7' AGL/1643' MSL.

TAKEOFF MINIMUMS, (OBSTACLE) DEPARTURE PROCEDURES, AND DIVERSE VECTOR AREA (RADAR VECTORS)

24025

NW-1

TAKEOFF MINIMUMS, (OBSTACLE) DEPARTURE PROCEDURES, AND DIVERSE VECTOR AREA (RADAR VECTORS)

24025

LIBBY, MT

LIBBY (S59)

TAKEOFF MINIMUMS AND (OBSTACLE) DEPARTURE PROCEDURES
AMDT 2 03NOV22 (22307) (FAA)

TAKEOFF MINIMUMS:

Rwy 33, NA-Obstacles.

DEPARTURE PROCEDURE:

Rwy 15, use EYESE DEPARTURE.

TAKEOFF OBSTACLE NOTES:

Rwy 15, tree 19' from DER, 333' left of centerline, 2618' MSL.
Tree, lighting beginning 21' from DER, 77' left of centerline, up to 2668' MSL.
Lighting 40' from DER, 77' right of centerline, 3' AGL/2607' MSL.
Trees beginning 93' from DER, 300' right of centerline, up to 2640' MSL.
Trees, vehicle on road beginning 132' from DER, 193' left of centerline, up to 66' AGL/2673' MSL.
Trees beginning 318' from DER, 438' right of centerline, up to 2653' MSL.
Trees beginning 420' from DER, 99' right of centerline, up to 2663' MSL.
Trees beginning 460' from DER, 259' left of centerline, up to 2675' MSL.
Trees beginning 580' from DER, 153' left of centerline, up to 2699' MSL.
Trees beginning 588' from DER, 4' right of centerline, up to 2667' MSL.
Trees beginning 749' from DER, 13' left of centerline, up to 2700' MSL.
Trees beginning 1324' from DER, 63' right of centerline, up to 2691' MSL.
Trees beginning 1477' from DER, 299' left of centerline, up to 2705' MSL.
Trees beginning 1550' from DER, 116' left of centerline, up to 2707' MSL.
Trees beginning 2337' from DER, 47' right of centerline, up to 2693' MSL.
Trees beginning 2581' from DER, 204' left of centerline, up to 2711' MSL.
Trees beginning 2778' from DER, 111' left of centerline, up to 2713' MSL.
Trees beginning 2973' from DER, 172' left of centerline, up to 2722' MSL.
Trees beginning 3049' from DER, 53' left of centerline, up to 105' AGL/2725' MSL.
Tree 3453' from DER, 102' right of centerline, 103' AGL/2704' MSL.
Trees beginning 3532' from DER, 176' right of centerline, up to 110' AGL/2712' MSL.
Tree 1.1 NM from DER, 2303' left of centerline, 2784' MSL.
Tree 1.1 NM from DER, 2206' left of centerline, 2799' MSL.
Trees beginning 1.1 NM from DER, 2132' left of centerline, up to 2818' MSL.
Trees beginning 1.2 NM from DER, 2092' left of centerline, up to 2823' MSL.
Trees beginning 1.2 NM from DER, 1639' left of centerline, up to 2828' MSL.
Trees beginning 1.3 NM from DER, 2024' left of centerline, up to 2834' MSL.
Trees beginning 1.3 NM from DER, 1817' left of centerline, up to 2836' MSL.
Trees beginning 1.3 NM from DER, 1759' left of centerline, up to 2849' MSL.
Trees beginning 1.3 NM from DER, 1665' left of centerline, up to 2866' MSL.
Trees beginning 1.4 NM from DER, 1619' left of centerline, up to 2883' MSL.
Trees beginning 1.4 NM from DER, 1669' left of centerline, up to 2888' MSL.
Trees beginning 1.4 NM from DER, 1776' left of centerline, up to 2890' MSL.
Tree 1.4 NM from DER, 2651' left of centerline, 2892' MSL.
Trees beginning 1.4 NM from DER, 1655' left of centerline, up to 2899' MSL.
Trees beginning 1.4 NM from DER, 1490' left of centerline, up to 2916' MSL.
Trees beginning 1.4 NM from DER, 1390' left of centerline, up to 2929' MSL.
Trees beginning 1.4 NM from DER, 2110' left of centerline, up to 2941' MSL.
Trees beginning 1.4 NM from DER, 1488' left of centerline, up to 2942' MSL.
Trees beginning 1.5 NM from DER, 1350' left of centerline, up to 2943' MSL.
Trees beginning 1.5 NM from DER, 1482' left of centerline, up to 2953' MSL.
Trees beginning 1.5 NM from DER, 1374' left of centerline, up to 2965' MSL.
Tree 1.5 NM from DER, 2935' right of centerline, 2846' MSL.
Trees beginning 1.5 NM from DER, 1185' left of centerline, up to 2975' MSL.
Tree 1.5 NM from DER, 2756' right of centerline, 2858' MSL.
Trees beginning 1.6 NM from DER, 2586' right of centerline, up to 63' AGL/2873' MSL.
Trees beginning 1.6 NM from DER, 929' left of centerline, up to 2979' MSL.
Trees beginning 1.7 NM from DER, 2361' left of centerline, up to 3007' MSL.
Trees beginning 1.9 NM from DER, 2782' left of centerline, up to 3154' MSL.
Trees beginning 2.2 NM from DER, 2154' left of centerline, up to 3325' MSL.
Trees beginning 2.4 NM from DER, 2511' left of centerline, up to 3340' MSL.

LIVINGSTON, MT

MISSION FLD (LVM)

TAKEOFF MINIMUMS AND (OBSTACLE) DEPARTURE PROCEDURES
AMDT 3 12MAR09 (21112) (FAA)

TAKEOFF MINIMUMS:

Rwys 8, 13, 26, 31, NA - Environmental.

DEPARTURE PROCEDURE:

Rwys 4, 22, use LIVINGSTON DEPARTURE.

TAKEOFF MINIMUMS, (OBSTACLE) DEPARTURE PROCEDURES, AND DIVERSE VECTOR AREA (RADAR VECTORS)

24025

NW-1

TAKEOFF MINIMUMS, (OBSTACLE) DEPARTURE PROCEDURES, AND DIVERSE VECTOR AREA (RADAR VECTORS)

24025

MADRAS, OR

MADRAS MUNI (S33)

TAKEOFF MINIMUMS AND (OBSTACLE) DEPARTURE PROCEDURES

AMDT 1B 10AUG23 (23222) (FAA)

TAKEOFF MINIMUMS:

Rwy 16, std w/min climb of 298'/NM to 3900 or 1300-3 for VCOA.

Rwy 22, std w/min climb of 298'/NM to 3900, or 1300-3 for VCOA.

DEPARTURE PROCEDURE:

Rwy 4, climbing left turn on heading 210° to intercept DSD VORTAC R-348 to DSD VORTAC, continue climb-in-hold (hold north, right turns, 168° inbound) to cross DSD VORTAC at or above MEA/MCA for route of flight.

Rwy 16, climbing right turn on heading 210° to intercept DSD VORTAC R-348 to DSD VORTAC, continue climb-in-hold (hold north, right turns, 168° inbound) to cross DSD VORTAC at or above MEA/MCA for route of flight.

Rwy 22, climb on heading 216° to intercept DSD VORTAC R-348 to DSD VORTAC, continue climb-in-hold (hold north, right turns, 168° inbound) to cross DSD VORTAC at or above MEA/MCA for route of flight.

Rwy 34, climbing left turn on heading 210° to intercept DSD VORTAC R-348 to DSD VORTAC, continue climb-in-hold (hold north, right turns, 168° inbound) to cross DSD VORTAC at or above MEA/MCA for route of flight.

VCOA:

Rwys 16, 22, obtain ATC approval for VCOA when requesting IFR clearance. Climb in visual conditions to cross Madras Muni airport at or above 3600, then proceed on DSD VORTAC R-356 to DSD VORTAC. Continue climb in DSD holding pattern (hold north, right turns, 168° inbound) to cross DSD VORTAC at or above MEA/MCA for route of flight.

TAKEOFF OBSTACLE NOTES:

Rwy 4, tree 116' from DER, 479' right of centerline, 8' AGL/2434' MSL.

Vehicles on road 197' from DER, 260' left of centerline, 2432' MSL.

Vehicles on road 365' from DER, 145' left of centerline, 2436' MSL.

Trees beginning 382' from DER, 345' right of centerline, up to 2439' MSL.

Tree 593' from DER, 204' right of centerline, 13' AGL/2444' MSL.

Vehicles on road 742' from DER, 113' right of centerline, 2447' MSL.

Tree 1388' from DER, 21' left of centerline, 38' AGL/2474' MSL.

Tree, sign beginning 1448' from DER, 72' right of centerline, up to 42' AGL/2478' MSL.

Building, trees beginning 1574' from DER, 71' left of centerline, up to 50' AGL/2485' MSL.

Tree 2717' from DER, 1214' right of centerline, 47' AGL/2504' MSL.

Rwy 16, light poles 10' from DER, 17' right of centerline, 1' AGL/2438' MSL.

Tree 132' from DER, 501' left of centerline, 4' AGL/2442' MSL.

Tree 195' from DER, 152' left of centerline, 2444' MSL.

Pole 870' from DER, 702' right of centerline, 25' AGL/2460' MSL.

Rwy 22, trees beginning 3' from DER, 77' left of centerline, up to 3' AGL/2421' MSL.

Tree 32' from DER, 101' right of centerline, 3' AGL/2420' MSL.

Rwy 34, tree 68' from DER, 293' left of centerline, 6' AGL/2432' MSL.

Tree 72' from DER, 496' right of centerline, 3' AGL/2435' MSL.

Tree 91' from DER, 133' right of centerline, 2437' MSL.

MALTA, MT

MALTA (M75)

TAKEOFF MINIMUMS AND (OBSTACLE) DEPARTURE PROCEDURES

ORIG 15DEC11 (11349) (FAA)

DEPARTURE PROCEDURE:

Rwy 26, climb heading 257° to 3000 before turning right.

TAKEOFF OBSTACLE NOTES:

Rwy 8, wind sock 37' from DER, 433' left of centerline, 12' AGL/2273' MSL.

Rwy 26, vehicle on roadway 348' from DER, 507' left of centerline, 15' AGL/2265' MSL.

MC CALL, ID

MC CALL MUNI (MYL)

TAKEOFF MINIMUMS AND (OBSTACLE) DEPARTURE PROCEDURES

AMDT 3 20OCT11 (11293) (FAA)

TAKEOFF MINIMUMS:

Rwy 34, NA-Obstacles.

DEPARTURE PROCEDURE:

Rwy 16, use PEPUC (RNAV) DEPARTURE.

22 FEB 2024 to 21 MAR 2024

22 FEB 2024 to 21 MAR 2024

TAKEOFF MINIMUMS, (OBSTACLE) DEPARTURE PROCEDURES, AND DIVERSE VECTOR AREA (RADAR VECTORS)

24025

NW-1

TAKEOFF MINIMUMS, (OBSTACLE) DEPARTURE PROCEDURES, AND DIVERSE VECTOR AREA (RADAR VECTORS)

24025

MCCHORD FLD (JOINT BASE LEWIS-MCCHORD) (KTCM)

TACOMA, WA

TAKEOFF MINIMUMS AND (OBSTACLE) DEPARTURE PROCEDURES

17JUN21 (21168) (USAF)

DEPARTURE PROCEDURE:

Rwy 16, track hdg 160°, turn left to intercept SEA VORTAC R-168 (V495) to SEA 168/37.1 DME (ALDER). Cross ALDER at or above 4000. After ALDER, maintain MEA/MOCA for route of flight.

Rwy 34, track hdg 340°, then turn right to intercept SEA VORTAC R-168 (V495) to SEA R-168/37.1 DME (ALDER). Cross ALDER at or above 4000. Maintain MEA/MOCA for route of flight.

TAKEOFF OBSTACLE NOTES:

Rwy 16, grove of trees 4892' from DER, 1353' left of cntrln, 143' AGL/454' MSL.

Grove of trees 2395' from DER, 1028' right of cntrln, 102' AGL/419' MSL.

Trees 2867' from DER, 1261' left of cntrln, 136' AGL/447' MSL.

Trees 2594' from DER, 1113' left of cntrln, 120' AGL/430' MSL.

Trees 2310' from DER, 957' left of cntrln, 85' AGL/394' MSL.

Trees 2006' from DER, 959' left of cntrln, 83' AGL/392' MSL.

Trees 1758' from DER, 971' left of cntrln, 87' AGL/389' MSL.

Rwy 34, tree 2307' from DER, 1038' left of cntrln, 106' AGL/348' MSL.

Tree 3190' from DER, 526' right of cntrln, 121' AGL/370' MSL.

Aircraft 186' from DER, 407' left of cntrln, 65' AGL/317' MSL.

Tree 2260' from DER, 1036' left of cntrln, 64' AGL/343' MSL.

Bldg 1668' from DER, 810' left of cntrln, 40' AGL/321' MSL.

DIVERSE VECTOR AREA (RADAR VECTORS)

AMDT 1 20JUN19 (19171) (FAA)

Rwys 16, 34, heading as assigned by ATC.

MC MINNVILLE, OR

MC MINNVILLE MUNI (MMV)

TAKEOFF MINIMUMS AND (OBSTACLE) DEPARTURE PROCEDURES

AMDT 5 25FEB21 (21056) (FAA)

TAKEOFF MINIMUMS:

Rwy 4, 300-1¼ or std. w/ min. climb of 275' per NM to 500, or alternatively, with std. takeoff minimums and a normal 200' per NM climb gradient, takeoff must occur no later than 2200' prior to DER.

Rwy 17, std. w/ min. climb of 303' per NM to 800, or 1900-3 for VCOA.

Rwy 22, std. w/ min. climb of 303' per NM to 1400, or 1900-3 for VCOA.

DEPARTURE PROCEDURE:

Rwy 4, climb on heading 038° to intercept UBG R-170 to UBG VOR/DME, thence...

Rwys 17, 22, climbing left turn to intercept UBG R-183 to UBG VOR/DME, thence...

Rwy 35, climb on heading 347° to intercept UBG R-221 to UBG VOR/DME, thence...

...continue climb in UBG VOR/DME holding pattern (hold south, left turns, 003° inbound) to cross UBG VOR/DME at or above MEA for route of flight.

VCOA:

Rwys 17, 22, obtain ATC approval for VCOA when requesting IFR clearance. Climb in visual conditions to cross Mc Minnville Muni at or above 1900 before proceeding on course.

TAKEOFF OBSTACLE NOTES:

Rwy 4, lighting 5' from DER, 5' right of centerline, 2' AGL/162' MSL.

Trees beginning 2041' from DER, 208' right of centerline, up to 266' MSL.

Tree 2373' from DER, 1077' left of centerline, 239' MSL.

Trees beginning 2511' from DER, 1017' left of centerline, up to 241' MSL.

Trees beginning 2706' from DER, 1132' left of centerline, up to 248' MSL.

Tree 2848' from DER, 1193' right of centerline, 269' MSL.

Trees beginning 2909' from DER, 935' left of centerline, up to 268' MSL.

Trees beginning 3048' from DER, 205' left of centerline, up to 270' MSL.

Trees beginning 3333' from DER, 651' left of centerline, up to 274' MSL.

Tree 3376' from DER, 998' left of centerline, 275' MSL.

Trees beginning 3462' from DER, 1152' left of centerline, up to 290' MSL.

Tree 5016' from DER, 1520' left of centerline, 313' MSL.

Trees beginning 5167' from DER, 1279' left of centerline, up to 336' MSL.

Trees beginning 5384' from DER, 1242' left of centerline, up to 344' MSL.

Trees beginning 5783' from DER, 1155' left of centerline, up to 356' MSL.

Tree 5949' from DER, 1449' left of centerline, 357' MSL.

Rwy 17, vehicles on road beginning 191' from DER, 431' left of centerline, up to 176' MSL.

Vehicles on road beginning 279' from DER, 263' right of centerline, up to 171' MSL.

Tree 1920' from DER, 457' right of centerline, 231' MSL.

Tree 1961' from DER, 625' left of centerline, 257' MSL.

Tree 1.7 NM from DER, 3214' left of centerline, 527' MSL.

CON'T

22 FEB 2024 to 21 MAR 2024

22 FEB 2024 to 21 MAR 2024

TAKEOFF MINIMUMS, (OBSTACLE) DEPARTURE PROCEDURES, AND DIVERSE VECTOR AREA (RADAR VECTORS)

24025

NW-1

TAKEOFF MINIMUMS, (OBSTACLE) DEPARTURE PROCEDURES, AND DIVERSE VECTOR AREA (RADAR VECTORS)

24025

MC MINNVILLE, OR (CON'T)

MC MINNVILLE MUNI (MMV) (CON'T)

Rwy 22, tree, lighting beginning 1' from DER, 124' right of centerline, up to 191' MSL.

Lighting 42' from DER, 125' left of centerline, 3' AGL/162' MSL.

Tree 283' from DER, 563' left of centerline, 229' MSL.

Trees beginning 314' from DER, 5' left of centerline, up to 255' MSL.

Tree 1285' from DER, 222' right of centerline, 194' MSL.

Tree 1308' from DER, 415' right of centerline, 197' MSL.

Tree 1342' from DER, 544' right of centerline, 202' MSL.

Trees beginning 1356' from DER, 40' right of centerline, up to 229' MSL.

Tree 1885' from DER, 973' right of centerline, 235' MSL.

Tree 1943' from DER, 655' right of centerline, 243' MSL.

Trees beginning 2010' from DER, 127' right of centerline, up to 245' MSL.

Trees beginning 2602' from DER, 486' right of centerline, up to 254' MSL.

Tree 4047' from DER, 1318' left of centerline, 284' MSL.

Tree 4662' from DER, 1708' right of centerline, 292' MSL.

Tree 4939' from DER, 482' left of centerline, 293' MSL.

Rwy 35, tree 1687' from DER, 228' right of centerline, 205' MSL.

Trees beginning 1827' from DER, 217' right of centerline, up to 240' MSL.

Tree 3343' from DER, 1087' right of centerline, 248' MSL.

Tree 3858' from DER, 1445' right of centerline, 268' MSL.

Trees beginning 3904' from DER, 289' right of centerline, up to 300' MSL.

DIVERSE VECTOR AREA (RADAR VECTORS)

ORIG 05MAR15 (15064) (FAA)

Rwys 4, 17, 22, 35, heading as assigned by ATC; requires min. climb of 350' per NM to 4300.

MEDFORD, OR

ROGUE VALLEY INTL-MEDFORD (MFR)

TAKEOFF MINIMUMS AND (OBSTACLE) DEPARTURE PROCEDURES

AMDT 10A 28APR16 (16119) (FAA)

TAKEOFF MINIMUMS:

Rwy 14, std. w/ min. climb of 435' per NM to 4500, or 2900-3 for climb in visual conditions.

Rwy 32, std. w/ min. climb of 260' per NM to 6800, or 2900-3 for climb in visual conditions.

DEPARTURE PROCEDURE:

Rwy 14, climbing right turn direct OED VORTAC, or for climb in visual conditions, cross Rogue Valley Intl-Medford airport at or above 4100 before proceeding direct OED VORTAC. When executing VCOA, notify ATC prior to departure. Thence ...

Rwy 32, climbing right turn direct OED VORTAC, or for climb in visual conditions, cross Rogue Valley Intl-Medford airport at or above 4100 before proceeding direct OED VORTAC. When executing VCOA, notify ATC prior to departure. Thence ...

...all aircraft climb in OED VORTAC holding pattern (hold NW, right turns, 153° inbound) to cross OED VORTAC at or above MEA or MCA for direction of flight.

TAKEOFF OBSTACLE NOTES:

Rwy 14, building 1585' from DER, 846' left of centerline, 40' AGL/1385' MSL.

MILES CITY, MT

FRANK WILEY FLD (MLS)

TAKEOFF MINIMUMS AND (OBSTACLE) DEPARTURE PROCEDURES

AMDT 2 27JAN22 (22027) (FAA)

TAKEOFF OBSTACLE NOTES:

Rwy 13, vehicles on road, lighting beginning 2' from DER, 89' left of centerline, up to 2636' MSL.

Lighting beginning 40' from DER, 90' right of centerline, up to 4' AGL/2627' MSL.

Rwy 31, vehicles on road, tree, lighting, pole beginning 4' from DER, 89' right of centerline, up to 2640' MSL.

Vehicles on road, lighting beginning 15' from DER, 89' left of centerline, up to 2638' MSL.

Tree, vehicles on road beginning 71' from DER, 395' right of centerline, up to 2647' MSL.

Tree 299' from DER, 453' left of centerline, 60' AGL/2659' MSL.

MISSOULA, MT

MISSOULA MONTANA (MSO)

TAKEOFF MINIMUMS AND (OBSTACLE) DEPARTURE PROCEDURES

AMDT 9 24MAY18 (21366) (FAA)

TAKEOFF MINIMUMS:

Rwys 8, 26, NA-Obstacles.

DEPARTURE PROCEDURE:

Rwys 12, 30, use GRZLY DEPARTURE.

TAKEOFF OBSTACLE NOTES:

Rwy 12, fence beginning 22' from DER, 487' right of centerline, up to 9' AGL/3215' MSL.

TAKEOFF MINIMUMS, (OBSTACLE) DEPARTURE PROCEDURES, AND DIVERSE VECTOR AREA (RADAR VECTORS)

24025

TAKEOFF MINIMUMS, (OBSTACLE) DEPARTURE PROCEDURES, AND DIVERSE VECTOR AREA (RADAR VECTORS)

24025

MOSES LAKE, WA

GRANT COUNTY INTL (MWH)

TAKEOFF MINIMUMS AND (OBSTACLE) DEPARTURE PROCEDURES

ORIG-A 20SEP12 (12264) (FAA)

TAKEOFF OBSTACLE NOTES:

Rwy 14R, antenna 3902' from DER, 828' right of centerline, 98' AGL/1268' MSL.**Rwy 18**, pole 405' from DER, 334' right of centerline, 30' AGL/1209' MSL.

Windsock 496' from DER, 371' left of centerline, 16' AGL/1195' MSL.

Rwy 32L, antenna 660' from DER, 401' left of centerline, 11' AGL/1191' MSL.

Pole 1317' from DER, 369' left of centerline, 22' AGL/1202' MSL.

MOUNTAIN HOME AFB (KMUO)

MOUNTAIN HOME, ID

TAKEOFF MINIMUMS AND (OBSTACLE) DEPARTURE PROCEDURES

AMDT 1 05APR12 (12096)

Rwy 12, 30, 6700-3*

* Or standard with minimum climb of 270/NM to 9100.

TAKEOFF OBSTACLE NOTES:

Rwy 12, terrain 0' AGL/3035' MSL, 824' from DER, 721' right of centerline.

Terrain 0' AGL/3035' MSL, 848' from DER, 686' right of centerline.

Terrain 0' AGL/3032' MSL, 378' from DER, 600' right of centerline.

Road/Vehicle 15' AGL/3024' MSL, 1144' from DER, 793' right of centerline.

Power pole 35' AGL/3049' MSL, 2911' from DER, 939' right of centerline.

Tower 30' AGL/3030' MSL, 1064' from DER, 901' right of centerline.

Tower 28' AGL/3037' MSL, 1168' from DER, 795' right of centerline.

Tower 45' AGL/3049' MSL, 2148' from DER, 1479' left of centerline.

Rwy 30, terrain 0' AGL/2995' MSL, 16' from DER, 500' left of centerline.

Terrain 0' AGL/2995' MSL, 81' from DER, 500' left of centerline.

Terrain 0' AGL/2995' MSL, 296' from DER, 579' left of centerline.

Terrain 0' AGL/2995' MSL, 427' from DER, 614' left of centerline.

Terrain 0' AGL/2995' MSL, 445' from DER, 619' left of centerline.

Terrain 0' AGL/2998' MSL, 253' from DER, 568' right of centerline.

Terrain 0' AGL/3000' MSL, 378' from DER, 500' right of centerline.

Terrain 0' AGL/3007' MSL, 570' from DER, 653' right of centerline.

Terrain 0' AGL/3002' MSL, 737' from DER, 525' right of centerline.

Road/Vehicle 35' AGL/3018' MSL, 949' from DER, 772' left of centerline.

MOUNTAIN HOME, ID

MOUNTAIN HOME MUNI (U76)

TAKEOFF MINIMUMS AND (OBSTACLE) DEPARTURE PROCEDURES

AMDT 6 19MAY22 (22139) (FAA)

DEPARTURE PROCEDURE:

Use ALKAL (RNAV) DEPARTURE.

TAKEOFF OBSTACLE NOTES:

Rwy 10, lighting 9' from DER, 28' left of centerline, 1' AGL/3159' MSL.

Vegetation 17' from DER, 209' left of centerline, 3' AGL/3160' MSL.

Vegetation beginning 37' from DER, 193' left of centerline, up to 5' AGL/3162' MSL.

Terrain beginning 39' from DER, 379' right of centerline, up to 3159' MSL.

Vehicles on road beginning 381' from DER, 487' right of centerline, up to 3174' MSL.

Buildings beginning 574' from DER, 555' right of centerline, up to 41' AGL/3197' MSL.

Transmission lines, catenary beginning 1106' from DER, 461' left of centerline, up to 46' AGL/3196' MSL.

Catenaries, pole, transmission lines beginning 1243' from DER, 65' left of centerline, up to 52' AGL/3198' MSL.

Transmission lines, pole beginning 1483' from DER, 49' right of centerline, up to 52' AGL/3201' MSL.

Tower 3249' from DER, 889' right of centerline, 126' AGL/3273' MSL.

Rwy 28, fence 32' from DER, 494' right of centerline, 9' AGL/3175' MSL.

Fence 150' from DER, 494' right of centerline, 9' AGL/3178' MSL.

Fence 274' from DER, 493' right of centerline, 9' AGL/3180' MSL.

Fence 366' from DER, 494' right of centerline, 9' AGL/3181' MSL.

Fence 566' from DER, 494' right of centerline, 9' AGL/3183' MSL.

Vehicles on road beginning 898' from DER, 268' right of centerline, up to 3196' MSL.

NAMPA, ID

NAMPA MUNI (MAN)

TAKEOFF MINIMUMS AND (OBSTACLE) DEPARTURE PROCEDURES

AMDT 3 12OCT17 (17285) (FAA)

DEPARTURE PROCEDURE:

Rwy 11, use ADEXE (RNAV) DEPARTURE.**Rwy 29**, use CADKI (RNAV) DEPARTURE.

TAKEOFF MINIMUMS, (OBSTACLE) DEPARTURE PROCEDURES, AND DIVERSE VECTOR AREA (RADAR VECTORS)

24025

TAKEOFF MINIMUMS, (OBSTACLE) DEPARTURE PROCEDURES, AND DIVERSE VECTOR AREA (RADAR VECTORS)

24025

NEWCASTLE, WY

MONDELL FLD (ECS)

TAKEOFF MINIMUMS AND (OBSTACLE) DEPARTURE PROCEDURES

AMDT 4 21AUG14 (21280) (FAA)

TAKEOFF MINIMUMS:

Rwy 32, 200-1½ or std. w/min. climb of 265' per NM to 4500.

DEPARTURE PROCEDURE:

Rwy 14, climb heading 136° and ECS VOR R-143, until reaching 5500, thence...

Rwy 32, climbing left turn direct ECS VOR, then on ECS VOR R-143 to 5500, thence...

...Climbing right turn to 7500 direct ECS VOR, continue climb-in-holding to 7500 (hold SE, left turns, 323° inbound) before proceeding on course.

TAKEOFF OBSTACLE NOTES:

Rwy 14, obstruction light on antenna 1442' from DER, 880' left of centerline, 93' AGL/4244' MSL.

Terrain 2826' from DER, 1242' right of centerline 4292' MSL.

Rwy 32, ground beginning 59' from DER, 393' right of centerline up to 4182' MSL.

Railroad 212' from DER, 284' right of centerline up to 23' AGL/4205' MSL.

Fence 247' from DER, 314' right of centerline 12' AGL/4175' MSL.

Multiple poles beginning 294' from DER 236' right of centerline up to 26' AGL/4203' MSL.

Transmission line tower 294' from DER, 436' right of centerline 26' AGL/4203' MSL.

Road beginning 426' from DER, 238' right of course up to 15' AGL/4194' MSL.

Ground beginning 5148' from DER, 1085' right of centerline 4366' MSL.

Bush 6286' from DER, 1440' right of centerline 11' AGL/4363' MSL.

Road beginning 426' from DER, 238' right of centerline, up to 15' AGL/4195' MSL.

NEWPORT, OR

NEWPORT MUNI (ONP)

TAKEOFF MINIMUMS AND (OBSTACLE) DEPARTURE PROCEDURES

AMDT 3 21JUL16 (16203) (FAA)

TAKEOFF MINIMUMS:

Rwy 2, NA-Obstacles.

DEPARTURE PROCEDURE:

Rwys 16, 20, 34, use NEWPORT DEPARTURE.

NORTH BEND, OR

SOUTHWEST OREGON RGNL (OTH)

TAKEOFF MINIMUMS AND (OBSTACLE) DEPARTURE PROCEDURES

AMDT 7 26MAR20 (20086) (FAA)

TAKEOFF MINIMUMS:

Rwy 5, 900-3 w/min. climb of 300' per NM to 1500 or std. w/min. climb of 475' per NM to 1200 or 1600-3 for VCOA.

Rwy 13, 400-2½ w/min. climb of 250' per NM to 2500 or 1600-3 for VCOA.

Rwy 31, 300-1¼ or std. w/min. climb of 280' per NM to 300.

DEPARTURE PROCEDURE:

Rwy 5, climb on heading 046° to intercept OTH VOR/DME R-340 northwest bound to 1800 before proceeding on course.

Rwy 13, climb on heading 135° to 1300 before proceeding on course.

Rwy 23, climb on heading 226° to 700 before proceeding on course.

Rwy 31, climb on heading 315° to 800 before proceeding on course.

VCOA:

Rwys 5, 13, obtain ATC approval for VCOA when requesting IFR clearance. Climb in visual conditions to cross Southwest Oregon RGNL airport at or above 1500 before proceeding on course.

TAKEOFF OBSTACLE NOTES:

Rwy 5, tower 383' from DER, 207' right of centerline, 23' AGL/35' MSL.

Ship 1000' from DER, on centerline, up to 140 MSL.

Bridge beginning 1886' from DER, 628' left of centerline, up to 89' AGL/93' MSL.

Transmission line 4259' from DER, 1563' right of centerline, 215' AGL/228' MSL.

Bridge, transmission line beginning 4741' from DER, 579' right of centerline, up to 265' AGL/268' MSL.

Tree 1.2 NM from DER, 410' left of centerline, 211' MSL.

Tree 1.3 NM from DER, 1380' left of centerline, 428' MSL.

Trees beginning 1.4 NM from DER, 704' left of centerline, up to 435' MSL.

Tree 1.5 NM from DER, 984' left of centerline, 463' MSL.

Tree 1.5 NM from DER, 946' left of centerline, 467' MSL.

Trees, buildings beginning 1.6 NM from DER, 777' left of centerline, up to 513' MSL.

Tree 1.6 NM from DER, 2832' right of centerline, 348' MSL.

Tree 1.6 NM from DER, 1768' right of centerline, 367' MSL.

Tree 2.1 NM from DER, 36' left of centerline, 515' MSL.

Tree 2.3 NM from DER, 2038' right of centerline, 648' MSL.

Trees beginning 2.5 NM from DER, 894' right of centerline, up to 767' MSL.

CON'T

22 FEB 2024 to 21 MAR 2024

22 FEB 2024 to 21 MAR 2024

TAKEOFF MINIMUMS, (OBSTACLE) DEPARTURE PROCEDURES, AND DIVERSE VECTOR AREA (RADAR VECTORS)

24025

NW-1

TAKEOFF MINIMUMS, (OBSTACLE) DEPARTURE PROCEDURES, AND DIVERSE VECTOR AREA (RADAR VECTORS)

24025

NORTH BEND, OR (CON'T)

SOUTHWEST OREGON RGNL (OTH) (CON'T)

Rwy 13, vegetation, vehicle on road beginning 37' from DER, 174' left of centerline, up to 33' MSL.
 Vegetation 192' from DER, 145' right of centerline, 37' MSL.
 Tree 345' from DER, 509' right of centerline, 62' MSL.
 Trees, buildings, transmission lines, poles beginning 412' from DER, 14' right of centerline, up to 76' MSL.
 Tree 627' from DER, 52' left of centerline, 38' MSL.
 Tree 2536' from DER, 648' right of centerline, 94' MSL.
 Tree 2644' from DER, 529' right of centerline, 98' MSL.
 Tree 3012' from DER, 1101' left of centerline, 214' MSL.
 Tree, building beginning 3059' from DER, 299' right of centerline, up to 108' MSL.
 Trees, spire beginning 3066' from DER, 68' left of centerline, up to 243' MSL.
 Pole 3418' from DER, 512' right of centerline, 77' AGL/114' MSL.
 Trees beginning 3578' from DER, 9' left of centerline, up to 291' MSL.
 Trees, pole beginning 3876' from DER, 7' left of centerline, up to 298' MSL.
 Tree 4451' from DER, 182' right of centerline, 137' MSL.
 Tree 1 NM from DER, 58' right of centerline, 204' MSL.
 Trees, pole beginning 1 NM from DER, 16' right of centerline, up to 238' MSL.
 Pole 1.3 NM from DER, 977' right of centerline, 75' AGL/247' MSL.
Rwy 23, ship 4050' from DER, on centerline, up to 140 MSL.
Rwy 31, ship 1000' from DER, on centerline, up to 140 MSL.
 Trees beginning 5037' from DER, 272' left of centerline, up to 185' MSL.
 Tree 5426' from DER, 140' left of centerline, 202' MSL.
 Trees beginning 5714' from DER, 13' left of centerline, up to 208' MSL.
 Tree 5984' from DER, 1420' right of centerline, 188' MSL.
 Tree 1.3 NM from DER, 803' left of centerline, 232' MSL.

OAK HARBOR, WA

DELAURENTIS (OKH)

TAKEOFF MINIMUMS AND (OBSTACLE) DEPARTURE PROCEDURES

ORIG-A 12MAR09 (23278) (FAA)

TAKEOFF MINIMUMS:

Rwy 7, 300-1.
Rwy 25, 300-1.

DEPARTURE PROCEDURE:

Rwy 7, climb via heading 071° to 2000, then climbing right turn direct CVV VOR/DME. Continue climb on course.
Rwy 25, climb via heading 251° to 2100, then climbing left turn direct CVV VOR/DME. Continue climb on course.

TAKEOFF OBSTACLE NOTES:

Rwy 7, multiple trees beginning 1167' from DER, 212' left of centerline, up to 80' AGL/319' MSL.
 Multiple trees beginning 664' from DER, 208' right of centerline, up to 80' AGL/299' MSL.
 Fence 612' from DER, right and left of centerline, 10' AGL/229' MSL.
 Multiple bushes beginning 240' from DER, 64' left of centerline, up to 8' AGL/227' MSL.
Rwy 25, cars on road 87' from DER, left and right of centerline, up to 15' AGL/174' MSL.
 Multiple trees beginning 2271' from DER, right and left of centerline, up to 80' AGL/279' MSL.

OLYMPIA, WA

OLYMPIA RGNL (OLM)

TAKEOFF MINIMUMS AND (OBSTACLE) DEPARTURE PROCEDURES

AMDT 6 24MAY18 (18144) (FAA)

TAKEOFF MINIMUMS:

Rwy 17, 300-2 or std. w/ min. climb of 720' per NM to 500.

DEPARTURE PROCEDURE:

Rwy 8, climb heading 089° to 1000, then climbing left turn direct OLM VORTAC, thence . . .
Rwy 17, climb heading 176° to 1200, then climbing right turn direct OLM VORTAC, thence . . .
Rwy 26, climbing left turn direct OLM VORTAC, thence . . .
Rwy 35, climbing right turn direct OLM VORTAC, thence . . .
 ...continue climb in OLM VORTAC holding pattern (south, right turn, 356° inbound) to cross OLM VORTAC at or above MEA/MCA for route of flight.

TAKEOFF OBSTACLE NOTES:

Rwy 8, pole 879' from DER, 348' left of centerline, 31' AGL/236' MSL.
 Trees beginning 970' from DER, 213' left of centerline, up to 267' MSL.
 Tree 1635' from DER, 434' right of centerline, 267' MSL.
 Tree 1743' from DER, 539' right of centerline, 291' MSL.
 Tree 2270' from DER, 341' left of centerline, 275' MSL.
 Tree, tower beginning 2931' from DER, 130' right of centerline, up to 320' MSL.
 Trees beginning 3168' from DER, 569' left of centerline, up to 343' MSL.

CON'T

22 FEB 2024 to 21 MAR 2024

22 FEB 2024 to 21 MAR 2024

TAKEOFF MINIMUMS, (OBSTACLE) DEPARTURE PROCEDURES, AND DIVERSE VECTOR AREA (RADAR VECTORS)

24025

NW-1

TAKEOFF MINIMUMS, (OBSTACLE) DEPARTURE PROCEDURES, AND DIVERSE VECTOR AREA (RADAR VECTORS)

24025

OLYMPIA, WA (CON'T)

OLYMPIA RGNL (OLM) (CON'T)

Rwy 17, trees beginning 751' from DER, 658' right of centerline, up to 281' MSL.

Trees beginning 1005' from DER, 634' left of centerline, up to 293' MSL.

Trees beginning 1160' from DER, 719' right of centerline, up to 306' MSL.

Trees beginning 1203' from DER, 664' left of centerline, up to 298' MSL.

Trees beginning 1293' from DER, 681' right of centerline, up to 331' MSL.

Trees beginning 1418' from DER, 70' right of centerline, up to 340' MSL.

Trees beginning 1758' from DER, 221' left of centerline, up to 337' MSL.

Trees beginning 1820' from DER, 112' left of centerline, up to 366' MSL.

Trees beginning 3873' from DER, 437' left of centerline, up to 377' MSL.

Trees beginning 3953' from DER, 3' right of centerline, up to 370' MSL.

Trees beginning 4000' from DER, 23' left of centerline, up to 388' MSL.

Tree 1.5 nm from DER, 2745' left of centerline, 490' MSL.

Rwy 26, tree 338' from DER, 339' right of centerline, 220' MSL.

Building 475' from DER, 594' left of centerline, 28' AGL/224' MSL.

Tree 496' from DER, 555' right of centerline, 237' MSL.

Trees beginning 2171' from DER, 623' right of centerline, up to 309' MSL.

Trees beginning 4173' from DER, 680' left of centerline, up to 330' MSL.

Rwy 35, building 692' from DER, 620' right of centerline, 32' AGL/226' MSL.

Trees beginning 961' from DER, 652' right of centerline, up to 266' MSL.

Tree 1664' from DER, 912' right of centerline, 267' MSL.

Trees beginning 1714' from DER, 634' right of centerline, up to 283' MSL.

Trees beginning 1940' from DER, 895' right of centerline, up to 287' MSL.

Trees beginning 2175' from DER, 859' left of centerline, up to 275' MSL.

Trees beginning 2358' from DER, 834' right of centerline, up to 288' MSL.

Trees beginning 2851' from DER, 1033' right of centerline, up to 299' MSL.

Trees beginning 3025' from DER, 1046' right of centerline, up to 315' MSL.

Tree 3878' from DER, 702' left of centerline, 298' MSL.

Trees beginning 4015' from DER, 198' left of centerline, up to 313' MSL.

DIVERSE VECTOR AREA (RADAR VECTORS)

AMDT 2 24MAY18 (18144) (FAA)

Rwy 8, heading as assigned by ATC; requires min. climb of 220 feet per NM to 1500.

Rwy 26, heading as assigned by ATC.

Rwy 35, heading as assigned by ATC; requires min. climb of 230 feet per NM to 1100.

OMAK, WA

OMAK (OMK)

TAKEOFF MINIMUMS AND (OBSTACLE) DEPARTURE PROCEDURES

AMDT 1A 02DEC21 (21336) (FAA)

TAKEOFF MINIMUMS:

Rwy 35, NA-Obstacles.

DEPARTURE PROCEDURE:

Rwy 17, use EPHRATA DEPARTURE.

TAKEOFF OBSTACLE NOTES:

Rwy 17, vehicles on road, vegetation beginning 5' from DER, 452' left of centerline, up to 10' AGL/1306' MSL.

Lighting 40' from DER, 78' right of centerline, 1' AGL/1301' MSL.

Vegetation beginning 50' from DER, 172' right of centerline, up to 1305' MSL.

Vegetation 305' from DER, 499' right of centerline, 5' AGL/1308' MSL.

Vegetation 311' from DER, 529' right of centerline, 9' AGL/1311' MSL.

Pole 1621' from DER, 737' left of centerline, 56' AGL/1339' MSL.

Tree 1972' from DER, 28' left of centerline, 66' AGL/1350' MSL.

Tree 2080' from DER, 78' right of centerline, 68' AGL/1352' MSL.

ONTARIO, OR

ONTARIO MUNI (ONO)

TAKEOFF MINIMUMS AND (OBSTACLE) DEPARTURE PROCEDURES

AMDT 5 07DEC17 (17341) (FAA)

TAKEOFF MINIMUMS:

Rwy 33, 300-2 or std. w/ min. climb of 240' per NM to 3800, or 1300-3 for VCOA.

DEPARTURE PROCEDURE:

Rwy 33, climb on a heading between 033° CW 145° from DER, or min. climb of 270' per NM to 3600 for all other courses.

VCOA:

Obtain ATC approval for VCOA when requesting IFR clearance. Climb in visual conditions to cross Ontario Airport at or above 3300 before proceeding on course.

CON'T

22 FEB 2024 to 21 MAR 2024

22 FEB 2024 to 21 MAR 2024

TAKEOFF MINIMUMS, (OBSTACLE) DEPARTURE PROCEDURES, AND DIVERSE VECTOR AREA (RADAR VECTORS)

24025

NW-1

TAKEOFF MINIMUMS, (OBSTACLE) DEPARTURE PROCEDURES, AND DIVERSE VECTOR AREA (RADAR VECTORS)

24025

ONTARIO, OR (CON'T)

ONTARIO MUNI (ONO) (CON'T)

TAKEOFF OBSTACLE NOTES:

Rwy 15, fence beginning 5' from DER, 340' left of centerline, up to 4' AGL/2191' MSL.
Lighting 9' from DER, 39' right of centerline, 2' AGL/2190' MSL.
Fence 19' from DER, 337' left of centerline, 9' AGL/2194' MSL.
Transmission line 582' from DER, 478' right of centerline, 32' AGL/2214' MSL.
Tree, transmission line, pole beginning 644' from DER, 39' right of centerline, up to 43' AGL/2225' MSL.
Building 674' from DER, 330' left of centerline, 25' AGL/2210' MSL.
Building beginning 737' from DER, 448' left of centerline, up to 28' AGL/2214' MSL.
Pole, transmission line beginning 1095' from DER, 175' left of centerline, up to 2221' MSL.
Transmission line 1122' from DER, 386' left of centerline, 42' AGL/2227' MSL.
Transmission line, pole beginning 1211' from DER, 471' left of centerline, up to 46' AGL/2230' MSL.
Tower 1249' from DER, 463' left of centerline, 56' AGL/2240' MSL.
Pole, transmission line, tree beginning 1253' from DER, 425' left of centerline, up to 70' AGL/2255' MSL.
Antenna, tower beginning 1752' from DER, 689' left of centerline, up to 82' AGL/2266' MSL.
Rwy 33, fence 7' from DER, 471' right of centerline, 5' AGL/2198' MSL.
Vehicle on road, fence beginning 42' from DER, 270' right of centerline, up to 2207' MSL.
Vehicle on road beginning 270' from DER, 493' left of centerline, up to 2205' MSL.
Vehicle on road 313' from DER, 309' left of centerline, up to 2206' MSL.
Tower 1.2 NM from DER, 190' right of centerline, 98' AGL/2413' MSL.
Tree 1.2 NM from DER, 333' left of centerline, 2402' MSL.
Tree 1.3 NM from DER, 996' right of centerline, 67' AGL/2429' MSL.
Trees beginning 1.3 NM from DER, 687' right of centerline, up to 2431' MSL.
Tree 1.3 NM from DER, 627' left of centerline, 2424' MSL.
Tree 1.4 NM from DER, 499' left of centerline, 2430' MSL.
Tree, pole beginning 1.4 NM from DER, 999' left of centerline, up to 79' AGL/2447' MSL.

PARIS, ID

BEAR LAKE COUNTY (1U7)

TAKEOFF MINIMUMS AND (OBSTACLE) DEPARTURE PROCEDURES

ORIG 13SEP18 (18256) (FAA)

TAKEOFF MINIMUMS:

Rwy 10, std. w/min. climb of 365' per NM to 10000 or 3600-3 for VCOA.
Rwy 16, std. w/min. climb of 305' per NM to 10500 or 3600-3 for VCOA.
Rwy 28, std. w/min. climb of 500' per NM to 11000 or 3600-3 for VCOA.
Rwy 34, std. w/min. climb of 390' per NM to 11300 or 3600-3 for VCOA.

DEPARTURE PROCEDURE:

Rwy 10, climb heading 104° to 9000 before proceeding on course.
Rwy 16, climb heading 164° to 8900 before proceeding on course.
Rwy 28, climb heading 284° to 8000 before proceeding on course.
Rwy 34, climb heading 344° to 9800 before proceeding on course.

VCOA:

All runways, obtain ATC approval for VCOA when requesting IFR clearance. Climb in visual conditions to cross Bear Lake County Airport at or above 9400 before proceeding on course.

TAKEOFF OBSTACLE NOTES:

Rwy 16, tree 1127' from DER, 689' right of centerline, 5960' MSL.
Rwy 28, vegetation 34' from DER, 133' left of centerline, 5931' MSL.

PASCO, WA

TRI-CITIES (PSC)

TAKEOFF MINIMUMS AND (OBSTACLE) DEPARTURE PROCEDURES

AMDT 8 13NOV14 (14317) (FAA)

DEPARTURE PROCEDURE:

Rwy 30, climb heading 301° to 1400, thence ...
Rwy 12, climb heading 121° to 1500, thence ...
Rwys 3L, 3R, climb heading 031° to 1500, thence ...
Rwys 21L, 21R, climb heading 211° to 1700, thence ...
... **Rwy 12** turn left, all others turn right. Then climb direct PSC VOR/DME, climb in PSC VOR/DME holding pattern (hold East, right turns, 272° inbound) to MEA/MCA for route of flight before proceeding on course.

TAKEOFF OBSTACLE NOTES:

Rwy 3L, bush 94' from DER, 479' left of centerline, up to 5' AGL/405' MSL.
Trains beginning 1680' from DER, crossing centerline, up to 23' AGL/447' MSL.
Tower 2447' from DER, 910' right of centerline, up to 56' AGL/479' MSL.
Electrical system 2466' from DER, 94' right of centerline, up to 45' AGL/464' MSL.
Tower 2501' from DER, 1076' right of centerline, up to 64' AGL/480' MSL.
Rwy 3R, terrain 172' from DER, 229' right of centerline, up to 408' MSL.
Bushes beginning 255' from DER, 204' right of centerline, up to 5' AGL/413' MSL.
Fence beginning 851' from DER, crossing centerline, up to 8' AGL/427' MSL.
Bushes 970' from DER, 48' right of centerline, 5' AGL/430' MSL.
Towers 1431' from DER, 603' right of centerline, up to 50' AGL/473' MSL.
Rod on tower 1512' from DER, 883' right of centerline, up to 109' AGL/528' MSL.
Rod on tower 2271' from DER, 845' right of centerline, up to 107' AGL/526' MSL.

CON'T

TAKEOFF MINIMUMS, (OBSTACLE) DEPARTURE PROCEDURES, AND DIVERSE VECTOR AREA (RADAR VECTORS)

24025

NW-1

TAKEOFF MINIMUMS, (OBSTACLE) DEPARTURE PROCEDURES, AND DIVERSE VECTOR AREA (RADAR VECTORS)

24025

PASCO, WA (CON'T)

TRI-CITIES (PSC) (CON'T)

- Rwy 3R (CON'T)**, tower 2460' from DER, 111' right of centerline, up to 56' AGL/479' MSL.
Tower 2514' from DER, 277' right of centerline, up to 64' AGL/480' MSL.
Trees 2580' from DER, 871' right of centerline, up to 75' AGL/504' MSL.
- Rwy 12**, vehicles on road beginning 407' from DER, crossing centerline, up to 15' AGL/424' MSL.
Trees 657' from DER, 618' right of centerline, up to 75' AGL/454' MSL.
Pole 947' from DER, 635' left of centerline, 25' AGL/434' MSL.
Pole 1092' from DER, 588' left of centerline, 25' AGL/442' MSL.
Trees beginning 1195' from DER, 602' right of centerline, up to 61' AGL/461' MSL.
Trees beginning 2989' from DER, 620' left of centerline, up to 75' AGL/484' MSL.
- Rwy 30**, terrain 3750' from DER, 887' left of centerline, up to 496' MSL.
- Rwy 21R**, trees beginning 918' from DER, 468' right of centerline, up to 75' AGL/484' MSL.
- Rwy 21L**, aircraft 15' from DER, 458' left of centerline to 689' right of centerline, up to 45' AGL/454' MSL.

DIVERSE VECTOR AREA (RADAR VECTORS)

AMDT 2 26MAY16 (16147) (FAA)

- Rwy 3L**, heading as assigned by ATC; requires min. climb of 240' per NM to 3100.
- Rwy 3R**, heading as assigned by ATC; requires min. climb of 230' per NM to 3100.
- Rwy 12**, heading as assigned by ATC; requires min. climb of 290' per NM to 3200.
- Rwys 21L/R**, heading as assigned by ATC; requires min. climb of 290' per NM to 3200.
- Rwy 30**, heading as assigned by ATC; requires min. climb of 230' per NM to 3300.

PENDLETON, OR

EASTERN OREGON RGNL AT PENDLETON (PDT)

TAKEOFF MINIMUMS AND (OBSTACLE) DEPARTURE PROCEDURES

AMDT 5 05DEC19 (19339) (FAA)

DEPARTURE PROCEDURE:

- Rwy 8**, climbing left turn to intercept PDT VORTAC R-060 to PDT VORTAC, thence...
- Rwy 11**, climbing right turn to intercept PDT VORTAC R-120 to PDT VORTAC, thence...
- Rwy 26**, climb direct PDT VORTAC, thence...
- Rwy 29**, climbing left turn direct PDT VORTAC, thence...
- ...continue climb in PDT VORTAC holding pattern (West, left turn, 079° inbound) to cross PDT VORTAC at or above MEA before proceeding on course.

TAKEOFF OBSTACLE NOTES:

- Rwy 8**, terrain 0' from DER, 76' left of centerline, 1487' MSL.
Terrain 2' from DER, 101' right of centerline, 1488' MSL.
- Rwy 11**, terrain beginning 0' from DER, on centerline, up to 1496' MSL.
Terrain 0' from DER, 51' left of centerline, 1496' MSL.
Vehicles on roadway 34' from DER, 377' left of centerline, 1499' MSL.
- Rwy 26**, terrain 8' from DER, 124' left of centerline, 1487' MSL.
Terrain 54' from DER, 394' left of centerline, 1492' MSL.
Terrain beginning 197' from DER, 390' left of centerline, up to 1495' MSL.
Terrain 479' from DER, 595' left of centerline, 1500' MSL.
Terrain 654' from DER, 591' left of centerline, 1507' MSL.
Terrain, building beginning 829' from DER, 258' left of centerline, up to 1512' MSL.
Terrain 1074' from DER, 581' left of centerline, 1513' MSL.
Terrain beginning 1219' from DER, 786' left of centerline, up to 1523' MSL.
- Rwy 29**, terrain 0' from DER, 50' left of centerline, 1488' MSL.
Terrain 21' from DER, 124' left of centerline, 1489' MSL.
Terrain beginning 74' from DER, 84' left of centerline, up to 1495' MSL.
Terrain beginning 87' from DER, 168' left of centerline, up to 1496' MSL.

PINEDALE, WY

RALPH WENZ FLD (PNA)

TAKEOFF MINIMUMS AND (OBSTACLE) DEPARTURE PROCEDURES

AMDT 3 15JUN23 (23166) (FAA)

TAKEOFF MINIMUMS:

- Rwy 29**, std. w/min. climb of 336' per NM to 8300, or 5000-5 for VCOA.

DEPARTURE PROCEDURE:

- Rwy 11**, climbing right turn to 10000 on heading 190° and BPI VOR/DME R-046 to BPI VOR/DME before proceeding on course.
- Rwy 29**, climbing left turn to 10000 on heading 230° and BPI VOR/DME R-026 to BPI VOR/DME before proceeding on course.

VCOA:

- Rwy 29**, obtain ATC approval for VCOA when requesting IFR clearance. Climb in visual conditions to cross Ralph Wenz Fld airport at or above 11900 before proceeding on course.

TAKEOFF OBSTACLE NOTES:

- Rwy 11**, sign, NAVAID beginning 25' from DER, 127' left of centerline, up to 3' AGL/7071' MSL.
NAVAID 39' from DER, 126' right of centerline, 2' AGL/7070' MSL.
Fence, vertical point beginning 115' from DER, 400' right of centerline, up to 7' AGL/7075' MSL.
Vehicle on road 170' from DER, 520' right of centerline, 7083' MSL.
Vehicles on roads beginning 306' from DER, 414' right of centerline, up to 7084' MSL.

CON'T

TAKEOFF MINIMUMS, (OBSTACLE) DEPARTURE PROCEDURES, AND DIVERSE VECTOR AREA (RADAR VECTORS)

24025

NW-1

TAKEOFF MINIMUMS, (OBSTACLE) DEPARTURE PROCEDURES, AND DIVERSE VECTOR AREA (RADAR VECTORS)

24025

PINEDALE, WY (CON'T)

RALPH WENZ FLD (PNA) (CON'T)

Rwy 29, fence 30' from DER, 410' left of centerline, 7' AGL/7097' MSL.

NAVAID 39' from DER, 89' right of centerline, 5' AGL/7099' MSL.

NAVAID 39' from DER, 91' left of centerline, 7' AGL/7099' MSL.

Vehicles on roads beginning 236' from DER, 535' left of centerline, up to 7109' MSL.

Vehicle on road 520' from DER, 537' left of centerline, 7110' MSL.

PLENTYWOOD, MT

SHER-WOOD (PWD)

TAKEOFF MINIMUMS AND (OBSTACLE) DEPARTURE PROCEDURES

ORIG 15MAR07 (07074) (FAA)

TAKEOFF OBSTACLE NOTES:

Rwy 12, multiple bushes beginning 47' from DER, 71' left of centerline, up to 12' AGL/2251' MSL.

Multiple bushes beginning 362' from DER, 514' right of centerline, up to 12' AGL/ 2251' MSL.

Rwy 30, multiple bushes and road beginning 68' from DER, 75' right of centerline, up to 12' AGL/2303' MSL.

Multiple bushes beginning 217' from DER, 60' left of centerline, up to 12' AGL/2296' MSL.

POCATELLO, ID

POCATELLO RGNL (PIH)

TAKEOFF MINIMUMS AND (OBSTACLE) DEPARTURE PROCEDURES

AMDT 7 17DEC09 (09351) (FAA)

DEPARTURE PROCEDURE:

Use KNURL ONE DEPARTURE.

POLSON, MT

POLSON (8S1)

TAKEOFF MINIMUMS AND (OBSTACLE) DEPARTURE PROCEDURES

ORIG-A 06MAR14 (14065) (FAA)

TAKEOFF MINIMUMS:

Rwy 18, NA - Obstacles.

DEPARTURE PROCEDURE:

Rwy 36, use ANGIL DEPARTURE.

POPLAR, MT

POPLAR MUNI (PO1)

TAKEOFF MINIMUMS AND (OBSTACLE) DEPARTURE PROCEDURES

ORIG-A 10JAN13 (13010) (FAA)

TAKEOFF MINIMUMS:

Rwys 2,20 NA - ATC.

TAKEOFF OBSTACLE NOTES:

Rwy 9, light support structure 10' from DER, 18' right of centerline, 2' AGL/2038' MSL.

Fence 24' from DER, 344' left of centerline, 10' AGL/2046' MSL.

Terrain 26' from DER, 492' left of centerline, 2037' MSL.

Tree 504' from DER, 483' left of centerline, 40' AGL/2080' MSL.

Pole 1175' from DER, 756' right of centerline, 31' AGL/2067' MSL.

Pole 1233' from DER, 619' left of centerline, 32' AGL/2068' MSL.

Pole 1423' from DER, 618' right of centerline, 38' AGL/2074' MSL.

Pole 1742' from DER, 593' right of centerline, 45' AGL/2081' MSL.

Rwy 27, light support structure 10' from DER, 17' left of centerline, 2' AGL/2027' MSL.

Fence 65' from DER, 341' right of centerline, 4' AGL/2029' MSL.

Tree 248' from DER, 497' right of centerline, 21' AGL/2047' MSL.

PORT ANGELES, WA

PORT ANGELES CGAS (NOW)

TAKEOFF MINIMUMS AND (OBSTACLE) DEPARTURE PROCEDURES

AMDT 4A 08JAN15 (15008) (FAA)

DEPARTURE PROCEDURE:

Rwy 8, climbing left turn heading 010° to intercept CVV VOR/DME R-247 to 5400 ...

Rwy 26, climbing right turn heading 010° to intercept CVV VOR/DME R-247 to 5400 ...

... All aircraft proceed on CVV R-247 to JIGEB INT/CVV 12.1 DME; cross JIGEB at or above MEA/MCA for route of flight.

TAKEOFF OBSTACLE NOTES:

Rwy 8, ships on waterway 1792' from DER, across centerline, up to 80' MSL.

Rwy 26, vehicles on roadway beginning 309' from DER, across centerline, up to 15' AGL/24' MSL.

Ships on waterway 590' from DER, 316' left of centerline, 80' MSL.

Ships on waterway 632' from DER, 350' right of centerline, 80' MSL.

TAKEOFF MINIMUMS, (OBSTACLE) DEPARTURE PROCEDURES, AND DIVERSE VECTOR AREA (RADAR VECTORS)

24025

NW-1


TAKEOFF MINIMUMS, (OBSTACLE) DEPARTURE PROCEDURES, AND


DIVERSE VECTOR AREA (RADAR VECTORS)

24025

PORT ANGELES, WA (CON'T)

WILLIAM R FAIRCHILD INTL (CLM)

TAKEOFF MINIMUMS AND (OBSTACLE) DEPARTURE PROCEDURES

AMDT 3B 25JAN24 (24025) (FAA)

TAKEOFF MINIMUMS:

Rwys 13, NA-Obstacles.

DEPARTURE PROCEDURE:

Rwys 9, 27, 31, use WATTR DEPARTURE.

TAKEOFF OBSTACLE NOTES:

Rwy 9, sign 46' from DER, 198' right of centerline, 4' AGL/295' MSL.

Terrain 54' from DER, 449' right of centerline, 296' MSL.

Sign 79' from DER, 352' right of centerline, 4' AGL/299' MSL.

Building, terrain, NAVAID beginning 99' from DER, 1' right of centerline, up to 17' AGL/314' MSL.

Fence 102' from DER, 526' left of centerline, 7' AGL/299' MSL.

Fence 270' from DER, 526' left of centerline, 7' AGL/300' MSL.

Building 298' from DER, 258' left of centerline, 20' AGL/311' MSL.

Tree, pole beginning 575' from DER, 69' left of centerline, up to 377' MSL.

Pole, vehicle on traverse way beginning 677' from DER, 630' right of centerline, up to 32' AGL/338' MSL.

Transmission line 922' from DER, 630' right of centerline, 51' AGL/355' MSL.

Tree, transmission line, pole beginning 927' from DER, 136' right of centerline, up to 385' MSL.

Trees beginning 1107' from DER, 391' right of centerline, up to 420' MSL.

Trees beginning 1312' from DER, 169' right of centerline, up to 464' MSL.

Tree 1412' from DER, 695' left of centerline, 396' MSL.

Tree 1454' from DER, 811' left of centerline, 424' MSL.

Trees beginning 1523' from DER, 191' right of centerline, up to 466' MSL.

Tree 1613' from DER, 790' left of centerline, 439' MSL.

Trees beginning 1740' from DER, 35' right of centerline, up to 469' MSL.

Trees beginning 1826' from DER, 166' left of centerline, up to 454' MSL.

Trees beginning 2421' from DER, 670' left of centerline, up to 455' MSL.

Trees beginning 2922' from DER, 9' left of centerline, up to 457' MSL.

Trees beginning 3272' from DER, 406' right of centerline, up to 473' MSL.

Trees beginning 3375' from DER, 105' right of centerline, up to 481' MSL.

Tree, pole beginning 3453' from DER, 105' right of centerline, up to 490' MSL.

Trees beginning 3601' from DER, 28' left of centerline, up to 460' MSL.

Trees beginning 3746' from DER, 32' left of centerline, up to 461' MSL.

Trees beginning 4375' from DER, 622' right of centerline, up to 498' MSL.

Trees beginning 4460' from DER, 137' right of centerline, up to 502' MSL.

Trees beginning 4985' from DER, 717' right of centerline, up to 465' MSL.

Rwy 27, lighting 10' from DER, 54' right of centerline, 3' AGL/287' MSL.

Lighting 10' from DER, 55' left of centerline, 3' AGL/286' MSL.

Trees beginning 2709' from DER, 130' left of centerline, up to 406' MSL.

Trees beginning 3951' from DER, 530' right of centerline, up to 393' MSL.

Trees beginning 4446' from DER, 1173' left of centerline, up to 421' MSL.

Rwy 31, tree, pole beginning 1' from DER, 222' right of centerline, up to 315' MSL.

Trees beginning 8' from DER, 4' left of centerline, up to 321' MSL.

Tree 338' from DER, 524' right of centerline, 316' MSL.

Trees beginning 431' from DER, 121' right of centerline, up to 320' MSL.

Trees beginning 505' from DER, 39' left of centerline, up to 324' MSL.

Trees beginning 638' from DER, 8' right of centerline, up to 323' MSL.

22 FEB 2024 to 21 MAR 2024

22 FEB 2024 to 21 MAR 2024


TAKEOFF MINIMUMS, (OBSTACLE) DEPARTURE PROCEDURES, AND


DIVERSE VECTOR AREA (RADAR VECTORS)

24025

NW-1

TAKEOFF MINIMUMS, (OBSTACLE) DEPARTURE PROCEDURES, AND DIVERSE VECTOR AREA (RADAR VECTORS)

24025

PORTLAND, OR

PORTLAND INTL (PDX)

TAKEOFF MINIMUMS AND (OBSTACLE) DEPARTURE PROCEDURES

AMDT 8 20SEP12 (12264) (FAA)

TAKEOFF MINIMUMS:

Rwy 3, 500-3 or std. w/ min. climb of 355' per NM to 700.

Rwy 10L, std. w/ min. climb of 280' per NM to 2900.

Rwy 10R, std. w/ min. climb of 265' per NM to 2900.

Rwy 21, std. w/ min. climb of 290' per NM to 1800.

DEPARTURE PROCEDURE:

Rwy 3, climb heading 029° to 700, then climbing left turn direct BTG VORTAC, thence ...

Rwys 10L, 10R, climb heading 103° to 500, then climbing left turn direct BTG VORTAC, thence ...

Rwy 21, climb heading 209° to 500, then climbing right turn direct BTG VORTAC, thence ...

Rwys 28L, 28R, climb heading 283° to 500, then climbing right turn direct BTG VORTAC, thence ...

... continue climb in BTG VORTAC holding pattern (hold NW, right turns, 149° inbound) to cross BTG VORTAC at or above MCA/MEA before proceeding on course.

TAKEOFF OBSTACLE NOTES:

Rwy 3, sign 1' from DER, 133' left of centerline, 5' AGL/28' MSL.

Vehicle on road 1363' from DER, 795' left of centerline, 15' AGL/76' MSL.

Vehicle on road 1675' from DER, 5' right of centerline, 15' AGL/76' MSL.

Multiple trees, towers beginning 1.2 NM from DER, 278' left of centerline, up to 85' AGL/463' MSL.

Multiple trees, building, electrical system and pole beginning 1.3 NM from DER, 63' right of centerline, up to 85' AGL/430' MSL.

Tree 1.7 NM from DER, 8' right of centerline, 85' AGL/413' MSL.

Rwy 10L, vehicles on road beginning abeam DER, 376' left of centerline, up to 15' AGL/78' MSL.

Trees beginning 1201' from DER, 753' right of centerline, up to 75' AGL/95' MSL.

Rwy 10R, pole 1996' from DER, 759' right of centerline, 54' AGL/74' MSL.

Rwy 21, light on DME 354' from DER, 255' left of centerline, 23' AGL/37' MSL.

Multiple trees, poles, tower beginning 1327' from DER, 23' left of centerline, up to 93' AGL/328' MSL.

Multiple trees, poles beginning 1098' from DER, 42' right of centerline up to 75' AGL/329' MSL.

Trees beginning 2229' from DER, on centerline, up to 75' AGL/190' MSL.

Rwy 28L, trees 1873' from DER, 837' left of centerline, up to 75' AGL/95' MSL.

Rwy 28R, building, antennas, vehicles on road beginning 130' from DER, 257' right of centerline, up to 27' AGL/58' MSL.

DIVERSE VECTOR AREA (RADAR VECTORS)

AMDT 1 05NOV20 (20310) (FAA)

Rwy 3, heading as assigned by ATC; requires min. climb of 378' per NM to 4500.

Rwy 10L, heading as assigned by ATC; requires min. climb of 367' per NM to 4700.

Rwy 10R, heading as assigned by ATC; requires min. climb of 440' per NM to 3600.

Rwy 21, heading as assigned by ATC; requires min. climb of 430' per NM to 3000.

Rwy 28L, heading as assigned by ATC; requires min. climb of 374' per NM to 3800.

Rwy 28R, heading as assigned by ATC; requires min. climb of 340' per NM to 5200.

PORTLAND-HILLSBORO (HIO)

TAKEOFF MINIMUMS AND (OBSTACLE) DEPARTURE PROCEDURES

AMDT 7A 01FEB18 (18032) (FAA)

TAKEOFF MINIMUMS:

Rwy 2, std. w/ min. climb of 215' per NM to 1900 or 600-2½ for climb in visual conditions.

Rwy 13R, 200-1¼ or std. w/min. climb of 233' per NM to 400 or alternatively, with std. takeoff minimums and a normal 200' per NM climb gradient, takeoff must occur no later than 1800' prior to DER.

Rwy 31L, std. w/ min. climb of 242' per NM to 2700 or 600-2½ for climb in visual conditions.

Rwy 31R, std. w/ min. climb of 230' per NM to 2700 or 600-2½ for climb in visual conditions.

DEPARTURE PROCEDURE:

Rwys 13L/R, climbing right turn direct UBG VOR/DME thence...

Rwys 2, 20, 31L/R, climbing left turn direct UBG VOR/DME thence...

...continue climb in UBG VOR/DME holding pattern (hold W, right turns, 108° inbound) to cross UBG VOR/DME at or above MEA for direction of flight before proceeding on course.

VCOA:

Rwys 2, 31L/R, obtain ATC approval for VCOA when requesting IFR clearance. Climb in visual conditions to cross Portland-Hillsboro Airport at or above 700 then proceed direct UBG VOR/DME...

...continue climb in UBG VOR/DME holding pattern (hold W, right turns, 108° inbound) to cross UBG VOR/DME at or above MEA for direction of flight before proceeding on course.

TAKEOFF OBSTACLE NOTES:

Rwy 2, fence 35' from DER, 498' left of centerline, 4' AGL/212' MSL.

Fence 70' from DER, 378' right of centerline, 8' AGL/214' MSL.

Fence 163' from DER, 333' left of centerline, 11' AGL/219' MSL.

Vehicles on road 246' from DER, 252' right of centerline, 218' MSL.

Vehicles on road 452' from DER, 1' right of centerline, 220' MSL.

Tree 1793' from DER, 608' right of centerline, 270' MSL.

Tank and building beginning 2423' from DER, 895' left of centerline, up to 60' AGL/274' MSL.

Building 2668' from DER, 798' left of centerline, 67' AGL/279' MSL.

CON'T

22 FEB 2024 to 21 MAR 2024

22 FEB 2024 to 21 MAR 2024

TAKEOFF MINIMUMS, (OBSTACLE) DEPARTURE PROCEDURES, AND DIVERSE VECTOR AREA (RADAR VECTORS)

24025

NW-1

TAKEOFF MINIMUMS, (OBSTACLE) DEPARTURE PROCEDURES, AND DIVERSE VECTOR AREA (RADAR VECTORS)

24025

PORTLAND, OR (CON'T)

PORTLAND-HILLSBORO (HIO) (CON'T)

Rwy 13L, NAVAID 10' from DER, 20' right of centerline, 1' AGL/207' MSL.

Sign 60' from DER, 202' left of centerline, 2' AGL/208' MSL.

Trees beginning 2518' from DER, 270' left of centerline, up to 302' MSL.

Tree 2741' from DER, 523' left of centerline, 323' MSL.

Trees beginning 2776' from DER, 264' left of centerline, up to 329' MSL.

Trees beginning 3303' from DER, 259' left of centerline, up to 330' MSL.

Tree 3385' from DER, 360' left of centerline, 337' MSL.

Tower 4794' from DER, 781' left of centerline, 160' AGL/350' MSL.

Rwy 13R, pole 38' from DER, 150' left of centerline, 4' AGL/200' MSL.

Sign 72' from DER, 299' right of centerline, 5' AGL/201' MSL.

Tree 1030' from DER, 754' right of centerline, 260' MSL.

Tree 1103' from DER, 613' left of centerline, 234' MSL.

Trees beginning 1835' from DER, 172' left of centerline, up to 307' MSL.

Tree 2458' from DER, 434' right of centerline, 263' MSL.

Tree 2617' from DER, 230' right of centerline, 274' MSL.

Trees beginning 2666' from DER, 10' right of centerline, up to 290' MSL.

Trees beginning 3343' from DER, 146' right of centerline, up to 316' MSL.

Tree 3388' from DER, 124' right of centerline, 320' MSL.

Tree 3417' from DER, 154' right of centerline, 321' MSL.

Tree 3490' from DER, 578' right of centerline, 322' MSL.

Trees beginning 3529' from DER, 28' right of centerline, up to 326' MSL.

Tree 3625' from DER, 218' left of centerline, 308' MSL.

Trees beginning 3736' from DER, 12' left of centerline, up to 328' MSL.

Trees beginning 3844' from DER, 8' right of centerline, up to 334' MSL.

Trees beginning 4454' from DER, 506' right of centerline, up to 342' MSL.

Tree 5186' from DER, 639' right of centerline, 343' MSL.

Tree 5264' from DER, 704' right of centerline, 348' MSL.

Rwy 20, poles and fence beginning 14' from DER, 261' right of centerline, up to 27' AGL/229' MSL.

Pole, tree, and buildings beginning 215' from DER, 418' left of centerline, up to 34' AGL/236' MSL.

Trees beginning 767' from DER, 611' left of centerline, up to 290' MSL.

Trees beginning 772' from DER, 417' right of centerline, up to 52' AGL/250' MSL.

Trees and pole beginning 823' from DER, 411' right of centerline, up to 53' AGL/253' MSL.

Trees and pole beginning 1139' from DER, 454' left of centerline, up to 294' MSL.

Tree 2430' from DER, 671' right of centerline, 280' MSL.

Trees beginning 2514' from DER, 31' left of centerline, up to 311' MSL.

Tree 4822' from DER, 337' left of centerline, 327' MSL.

Rwy 31L, trees beginning 1663' from DER, 625' right of centerline, up to 271' MSL.

Rwy 31R, NAVAID 10' from DER, 20' left of centerline, 4' AGL/201' MSL.

Sign 20' from DER, 162' right of centerline, 5' AGL/202' MSL.

Bush 116' from DER, 193' left of centerline, 205' MSL.

Trees, pole, and tower beginning 1259' from DER, 138' right of centerline, up to 272' MSL.

DIVERSE VECTOR AREA (RADAR VECTORS)

ORIG 30APR15 (15120) (FAA)

Rwy 2, heading as assigned by ATC; requires min. climb of 290' per NM to 2700.

Rwy 13L, heading as assigned by ATC; requires min. climb of 290' per NM to 2800.

Rwy 13R, heading as assigned by ATC; requires min. climb of 300' per NM to 2800.

Rwy 20, heading as assigned by ATC; requires min. climb of 260' per NM to 4900.

Rwy 31L, heading as assigned by ATC; requires min. climb of 270' per NM to 4900.

Rwy 31R, heading as assigned by ATC; requires min. climb of 260' per NM to 4900.

PORTLAND-TROUTDALE (TTD)

TAKEOFF MINIMUMS AND (OBSTACLE) DEPARTURE PROCEDURES

AMDT 7 19JUL18 (18200) (FAA)

TAKEOFF MINIMUMS:

Rwy 7, std. w/min. climb of 325' per NM to 2800 or 1400-3 for VCOA.

Rwy 25, std. w/min. climb of 380' per NM to 1300 or 1400-3 for VCOA.

DEPARTURE PROCEDURE:

Rwy 7, climbing left turn to intercept BTG R-125 to BTG VORTAC. Continue climb on BTG R-329 within 10NM to cross BTG VORTAC at or above: BTG R-355 CW R-055 or R-085 CW R-115 5000. All others 2500.

Rwy 25, climbing right turn to intercept BTG R-125 to BTG VORTAC. Continue climb on BTG R-329 within 10 NM to cross BTG VORTAC at or above: BTG R-355 CW R-055 or R-085 CW R-115 5000. All others 2500.

VCOA:

All runways, obtain ATC approval for VCOA when requesting IFR clearance. Climb in visual conditions to cross Portland-Troutdale Airport northwest bound at or above 1300, then climb on BTG R-125 to BTG VORTAC. Continue climb on BTG R-329 within 10 NM to cross BTG VORTAC at or above: BTG R-355 CW R-055 or R-085 CW R-115 5000. All others 2500.

TAKEOFF OBSTACLE NOTES:

Rwy 7, building 25' from DER, 410' left of centerline, 19' AGL/58' MSL.

Pole beginning 123' from DER, 458' left of centerline, up to 30' AGL/70' MSL.

Pole 169' from DER, 169' right of centerline, 6' AGL/45' MSL.

Electrical system 298' from DER, 302' right of centerline, 30' AGL/69' MSL.

CON'T

TAKEOFF MINIMUMS, (OBSTACLE) DEPARTURE PROCEDURES, AND DIVERSE VECTOR AREA (RADAR VECTORS)

24025

NW-1

TAKEOFF MINIMUMS, (OBSTACLE) DEPARTURE PROCEDURES, AND DIVERSE VECTOR AREA (RADAR VECTORS)

24025

PORTLAND, OR (CON'T)

PORTLAND-TROUTDALE (TTD) (CON'T)

Rwy 7 (CON'T), tree, traverse way beginning 450' from DER, 1' right of centerline, up to 80' MSL.

Tree 564' from DER, 592' left of centerline, 72' MSL.

Trees beginning 783' from DER, 43' left of centerline, up to 114' MSL.

Tree 944' from DER, 215' right of centerline, 92' MSL.

Tree 1734' from DER, 525' right of centerline, 114' MSL.

Tree 1843' from DER, 509' left of centerline, 116' MSL.

Tree 1868' from DER, 138' right of centerline, 120' MSL.

Tree 1887' from DER, 598' left of centerline, 121' MSL.

Trees beginning 1889' from DER, 37' left of centerline, up to 134' MSL.

Tree 1939' from DER, 255' left of centerline, 137' MSL.

Trees beginning 1942' from DER, 148' left of centerline, up to 142' MSL.

Tree 3280' from DER, 661' left of centerline, 149' MSL.

Trees beginning 3446' from DER, 586' right of centerline, up to 144' MSL.

Tree 3792' from DER, 575' left of centerline, 154' MSL.

Tree 4233' from DER, 145' right of centerline, 154' MSL.

Transmission line 1 NM from DER, 1899' left of centerline, 210 AGL/240' MSL.

Other 1.8 NM from DER, 3553' right of centerline, 100' AGL/379' MSL.

Other 1.9 NM from DER, 3742' right of centerline, 100' AGL/419' MSL.

Rwy 25, tree 195' from DER, 385' left of centerline, 50' MSL.

Trees beginning 352' from DER, 361' left of centerline, up to 92' MSL.

Trees beginning 759' from DER, 635' right of centerline, up to 103' MSL.

Tree, building beginning 1180' from DER, 598' left of centerline, up to 111' MSL.

Trees beginning 1544' from DER, 64' left of centerline, up to 151' MSL.

Trees beginning 1635' from DER, 222' right of centerline, up to 108' MSL.

Trees beginning 2563' from DER, 430' right of centerline, up to 111' MSL.

Trees beginning 2612' from DER, 84' right of centerline, up to 117' MSL.

Tree 2739' from DER, 733' right of centerline, 125' MSL.

Tree 3442' from DER, 508' right of centerline, 135' MSL.

Trees beginning 3499' from DER, 236' right of centerline, up to 140' MSL.

Trees beginning 3622' from DER, 526' right of centerline, up to 177' MSL.

DIVERSE VECTOR AREA (RADAR VECTORS)

ORIG 02APR15 (15092) (FAA)

Rwy 7, heading as assigned by ATC; requires minimum climb of 330' per NM to 2900.

Rwy 25, heading as assigned by ATC; requires minimum climb of 360' per NM to 4300.

PORT TOWNSEND, WA

JEFFERSON COUNTY INTL (0S9)

TAKEOFF MINIMUMS AND (OBSTACLE) DEPARTURE PROCEDURES

ORIG 22AUG13 (13234) (FAA)

TAKEOFF MINIMUMS:

Rwy 9, 300-1

Rwy 27, 300-1 with a min. climb of 445' per NM to 900, or 1000-2½ for climb in visual conditions.

DEPARTURE PROCEDURE:

Rwy 9, climb on heading 088° to intercept CVV VOR/DME R-166 to CVV VOR/DME, thence ...

Rwy 27, climbing right turn heading 090° to intercept CVV VOR/DME R-166 to CVV VOR/DME, or for climb in visual conditions cross Jefferson County Intl airport at or above 1000 then climb on CVV R-178 to CVV VOR/DME. When executing VCOA, notify ATC prior to departure. Thence...

... Climb in holding pattern (hold South, left turns, 346° inbound) to cross CVV VOR/DME at or above MEA for route of flight.

TAKEOFF OBSTACLE NOTES:

Rwy 9, bushes beginning 21' from DER, left and right of centerline, up to 5' AGL/123' MSL.

Terrain beginning 148' from DER, 313' right of centerline, up to 126' MSL.

Trees beginning 661' from DER, left and right of centerline, up to 90' AGL/284' MSL.

Rwy 27, trees beginning 105' from DER, left and right of centerline, up to 90' AGL/260' MSL.

Poles beginning 105' from DER, 298' left of centerline, up to 53' AGL/159' MSL.

POWELL, WY

POWELL MUNI (POY)

TAKEOFF MINIMUMS AND (OBSTACLE) DEPARTURE PROCEDURES

AMDT 2 19SEP13 (13262) (FAA)

TAKEOFF MINIMUMS:

Rwys 3,17,21,35, NA-Environmental.

DEPARTURE PROCEDURE:

Rwy 13, turn right, thence...

Rwy 31, turn left, thence...

... All aircraft climb direct COD VOR/DME. Continue climb in COD VOR/DME holding pattern (hold North, left turns, 189° inbound) to cross COD VOR/DME at or above 9400 before proceeding on course.

TAKEOFF OBSTACLE NOTES:

Rwy 13, pole 13' from DER, 288' right of centerline, 8' AGL/5107' MSL.

Windsock 13' from DER, 287' right of centerline, 5' AGL/5104' MSL.

Pole 110' from DER, 407' right of centerline, 4' AGL/5104' MSL.

CON'T

TAKEOFF MINIMUMS, (OBSTACLE) DEPARTURE PROCEDURES, AND DIVERSE VECTOR AREA (RADAR VECTORS)

24025

NW-1

TAKEOFF MINIMUMS, (OBSTACLE) DEPARTURE PROCEDURES, AND DIVERSE VECTOR AREA (RADAR VECTORS)

24025

POWELL, WY (CON'T)

POWELL MUNI (POY) (CON'T)

Rwy 13 (CON'T), terrain 148' from DER, 526' left of centerline; 0' AGL/5100' MSL.

Vehicles on road beginning 414' from DER, beginning 53' right of centerline, up to 15' AGL/5115' MSL.
Terrain 674' from DER, 429' right of centerline, 0' AGL/5119' MSL.

Rwy 31, windsock 9' from DER, 297' right of centerline, 3' AGL/5002' MSL.

Pole 10' from DER, 296' right of centerline, 6' AGL/5005' MSL.

PRINEVILLE, OR

PRINEVILLE (S39)

TAKEOFF MINIMUMS AND (OBSTACLE) DEPARTURE PROCEDURES

AMDT 2B 17JUN21 (21168) (FAA)

TAKEOFF MINIMUMS:

Rwy 11, std. w/min. climb of 290' per NM to 6000, or 2600-3 for VCOA.

Rwy 15, std. w/min. climb of 325' per NM to 6000, or 2600-3 for VCOA.

Rwy 29, std. w/min. climb of 415' per NM to 6600, or 2600-3 for VCOA.

Rwy 33, std. w/min. climb of 380' per NM to 6700, or 2600-3 for VCOA.

DEPARTURE PROCEDURE:

Rwy 11, climb on heading 105° to 5700 before proceeding on course.

Rwy 15, climb on heading 157° to 6000 before proceeding on course.

Rwy 29, climb on heading 285° to 6600 before proceeding on course.

Rwy 33, climb on heading 337° to 6700 before proceeding on course.

VCOA:

Rwys 11, 15, 29, 33, obtain ATC approval for VCOA when requesting IFR clearance. Climb in visual conditions to cross Prineville airport at or above 5700 before proceeding on course.

TAKEOFF OBSTACLE NOTES:

Rwy 11, vegetation 45' from DER, 353' left of centerline, 3240' MSL.

Building 304' from DER, 574' right of centerline, 23' AGL/3262' MSL.

Pole 414' from DER, 248' left of centerline, 22' AGL/3258' MSL.

Tree 879' from DER, 567' right of centerline, 3281' MSL.

Tree 1412' from DER, 758' right of centerline, 3282' MSL.

Tree 1788' from DER, 901' right of centerline, 3291' MSL.

Pole 2080' from DER, 959' right of centerline, 47' AGL/3307' MSL.

Building 2980' from DER, 1251' right of centerline, 39' AGL/3314' MSL.

Building 3193' from DER, 1264' right of centerline, 44' AGL/3318' MSL.

Rwy 15, building, tree beginning 36' from DER, 125' left of centerline, up to 27' AGL/3277' MSL.

Tree 106' from DER, 151' right of centerline, 11' AGL/3258' MSL.

Trees beginning 123' from DER, 182' right of centerline, up to 20' AGL/3266' MSL.

Tree 350' from DER, 560' left of centerline, 37' AGL/3290' MSL.

Trees, vehicle on road beginning 662' from DER, 24' left of centerline, up to 37' AGL/3297' MSL.

Rwy 29, tree 17' from DER, 479' left of centerline, 3277' MSL.

Tree, vegetation beginning 60' from DER, 191' right of centerline, up to 3267' MSL.

Trees, vegetation, terrain beginning 70' from DER, 190' left of centerline, up to 28' AGL/3283' MSL.

Tree 181' from DER, 408' right of centerline, 3272' MSL.

Trees, terrain, vegetation beginning 305' from DER, 52' left of centerline, up to 3290' MSL.

Tree, vegetation beginning 353' from DER, 77' right of centerline, up to 3277' MSL.

Trees beginning 725' from DER, 14' right of centerline, up to 3278' MSL.

Trees beginning 826' from DER, 3' left of centerline, up to 3291' MSL.

Trees beginning 908' from DER, 23' right of centerline, up to 3280' MSL.

Tree 1237' from DER, 178' right of centerline, 3284' MSL.

Tree 5300' from DER, 1873' right of centerline, 3400' MSL.

Tree 5469' from DER, 1782' right of centerline, 3419' MSL.

Tree 5617' from DER, 1758' right of centerline, 3449' MSL.

Trees beginning 5685' from DER, 1612' right of centerline, up to 3515' MSL.

Trees beginning 5851' from DER, 1463' right of centerline, up to 3539' MSL.

Trees beginning 6014' from DER, 1282' right of centerline, up to 3553' MSL.

Trees beginning 1 NM from DER, 1150' right of centerline, up to 3568' MSL.

Trees beginning 1 NM from DER, 1051' right of centerline, up to 3575' MSL.

Trees, catenary beginning 1.1 NM from DER, 956' right of centerline, up to 3602' MSL.

Rwy 33, trees, terrain, vegetation beginning 8' from DER, 72' right of centerline, up to 3261' MSL.

Terrain 62' from DER, 152' left of centerline, 3241' MSL.

Vegetation, terrain beginning 121' from DER, 80' left of centerline, up to 3246' MSL.

Trees beginning 246' from DER, 325' right of centerline, up to 3278' MSL.

Vegetation 268' from DER, 78' left of centerline, 3247' MSL.

Vegetation 309' from DER, 284' left of centerline, 3248' MSL.

Trees beginning 365' from DER, 49' right of centerline, up to 3290' MSL.

Vegetation 400' from DER, 495' left of centerline, 3254' MSL.

Tree 486' from DER, 139' left of centerline, 3258' MSL.

Terrain beginning 569' from DER, 363' left of centerline, up to 23' AGL/3265' MSL.

Trees beginning 704' from DER, 293' right of centerline, up to 3293' MSL.

Terrain 860' from DER, 394' left of centerline, 23' AGL/3266' MSL.

Terrain beginning 938' from DER, 512' left of centerline, up to 27' AGL/3272' MSL.

Tree 1020' from DER, 649' left of centerline, 3278' MSL.

TAKEOFF MINIMUMS, (OBSTACLE) DEPARTURE PROCEDURES, AND DIVERSE VECTOR AREA (RADAR VECTORS)

24025

NW-1

TAKEOFF MINIMUMS, (OBSTACLE) DEPARTURE PROCEDURES, AND DIVERSE VECTOR AREA (RADAR VECTORS)

24025

PULLMAN/MOSCOW, WA

PULLMAN/MOSCOW RGNL (PUW)

TAKEOFF MINIMUMS AND (OBSTACLE) DEPARTURE PROCEDURES

AMDT 5 10OCT19 (19283) (FAA)

TAKEOFF MINIMUMS:

Rwy 5, 300-1¼ w/min. climb of 276' per NM to 3600 or std. w/min. climb of 405' per NM to 3100 or 4600-3 for VCOA.

DEPARTURE PROCEDURE:

Rwy 5, climb heading 050° to 3100 then climbing left turn direct PUW VOR/DME, continue climb in PUW VOR/DME holding pattern (southwest, left turns, 032° inbound) to cross PUW VOR/DME at or above MEA for direction of flight.

Rwy 23, climbing left turn to intercept PUW VOR/DME R-018 to PUW VOR/DME, continue climb in PUW VOR/DME holding pattern (southwest, left turns, 032° inbound) to cross PUW VOR/DME at or above MEA for direction of flight.

VCOA:

Rwy 5, obtain ATC approval for VCOA when requesting IFR clearance. Climb in visual conditions to cross Pullman/Moscow Rgnl airport at or above 4500 before proceeding on course.

TAKEOFF OBSTACLE NOTES:

Rwy 5, terrain, vegetation beginning 185' from DER, 135' right of centerline, up to 2624' MSL.

Buildings beginning 483' from DER, 610' left of centerline, up to 40' AGL/2590' MSL.

Terrain 1077' from DER, 383' right of centerline, 2625' MSL.

Terrain, electrical system beginning 1137' from DER, 17' right of centerline, up to 2626' MSL.

Terrain 1264' from DER, 408' right of centerline, 2634' MSL.

Terrain, traverse way beginning 1301' from DER, 285' right of centerline, up to 2635' MSL.

Terrain, vertical point, traverse way beginning 1325' from DER, 9' right of centerline, up to 2639' MSL.

Terrain 1687' from DER, 179' left of centerline, 2601' MSL.

Terrain beginning 1713' from DER, 114' left of centerline, up to 2602' MSL.

Terrain 1803' from DER, 103' left of centerline, 2611' MSL.

Terrain beginning 1807' from DER, 42' left of centerline, up to 2613' MSL.

Terrain, pole beginning 1900' from DER, 99' left of centerline, up to 2621' MSL.

Terrain 1968' from DER, 57' left of centerline, 2622' MSL.

Terrain beginning 2008' from DER, 161' left of centerline, up to 2624' MSL.

Terrain beginning 2057' from DER, 83' left of centerline, up to 2628' MSL.

Electrical system, terrain, pole beginning 2111' from DER, 8' left of centerline, up to 20' AGL/2634' MSL.

Terrain beginning 2140' from DER, 55' right of centerline, up to 2641' MSL.

Terrain beginning 2203' from DER, 90' right of centerline, up to 2651' MSL.

Terrain 2309' from DER, 393' right of centerline, 2657' MSL.

Terrain beginning 2321' from DER, 298' right of centerline, up to 2658' MSL.

Terrain beginning 2465' from DER, 436' right of centerline, up to 2665' MSL.

Terrain beginning 2493' from DER, 22' right of centerline, up to 2673' MSL.

Terrain beginning 2614' from DER, 82' left of centerline, up to 2637' MSL.

Terrain 2662' from DER, 649' right of centerline, 2675' MSL.

Terrain beginning 2665' from DER, 91' right of centerline, up to 2690' MSL.

Terrain beginning 2720' from DER, 85' left of centerline, up to 2649' MSL.

Terrain 2788' from DER, 136' left of centerline, 2650' MSL.

Terrain, traverse way beginning 2825' from DER, 20' left of centerline, up to 2652' MSL.

Terrain beginning 2828' from DER, 52' right of centerline, up to 2700' MSL.

Terrain beginning 3148' from DER, 53' right of centerline, up to 2711' MSL.

Terrain, traverse way, fence, buildings, trees beginning 3264' from DER, 20' right of centerline, up to 2712' MSL.

Terrain beginning 3594' from DER, 1283' left of centerline, up to 2663' MSL.

Terrain beginning 3767' from DER, 1280' left of centerline, up to 2667' MSL.

Trees 4073' from DER, 483' left of centerline, 2672' MSL.

Trees beginning 4151' from DER, 394' left of centerline, up to 2682' MSL.

Trees, terrain beginning 4253' from DER, 62' left of centerline, up to 2692' MSL.

Terrain beginning 4889' from DER, 730' right of centerline, up to 2718' MSL.

Terrain beginning 4974' from DER, 494' right of centerline, up to 2719' MSL.

Terrain beginning 5114' from DER, 611' right of centerline, up to 2720' MSL.

Terrain beginning 5325' from DER, 430' right of centerline, up to 2724' MSL.

Terrain beginning 5533' from DER, 360' right of centerline, up to 2727' MSL.

Terrain beginning 5720' from DER, 320' right of centerline, up to 2730' MSL.

Terrain beginning 5794' from DER, 372' right of centerline, up to 2732' MSL.

Terrain beginning 5867' from DER, 440' right of centerline, up to 2733' MSL.

Terrain 1 NM from DER, 903' left of centerline, 2709' MSL.

Terrain beginning 1 NM from DER, 714' left of centerline, up to 2714' MSL.

Terrain 1 NM from DER, 604' left of centerline, 2716' MSL.

Rwy 23, terrain 364' from DER, 483' left of centerline, 2581' MSL.

Terrain beginning 566' from DER, 548' left of centerline, up to 2595' MSL.

Terrain beginning 711' from DER, 652' left of centerline, up to 2610' MSL.

Buildings, terrain, trees beginning 952' from DER, 646' left of centerline, up to 13' AGL/2649' MSL.

Trees 4309' from DER, 1559' right of centerline, 2675' MSL.

Trees 4455' from DER, 1524' right of centerline, 2687' MSL.

Trees, buildings beginning 4465' from DER, 1595' right of centerline, up to 2703' MSL.

22 FEB 2024 to 21 MAR 2024

22 FEB 2024 to 21 MAR 2024

TAKEOFF MINIMUMS, (OBSTACLE) DEPARTURE PROCEDURES, AND DIVERSE VECTOR AREA (RADAR VECTORS)

24025

NW-1

TAKEOFF MINIMUMS, (OBSTACLE) DEPARTURE PROCEDURES, AND DIVERSE VECTOR AREA (RADAR VECTORS)

24025

PUYALLUP, WA

PIERCE COUNTY-THUN FIELD (PLU)

TAKEOFF MINIMUMS AND (OBSTACLE) DEPARTURE PROCEDURES

AMDT 4 27JAN22 (22027) (FAA)

TAKEOFF MINIMUMS:

Rwy 17, 300-1½ or std. w/min. climb of 220' per NM to 900.

Rwy 35, 300-1½ w/min. climb of 270' per NM to 1000.

DEPARTURE PROCEDURE:

Rwy 17, climb on heading 185° to intercept SEA R-168 to ALDER INT/SEA 37.09 DME and hold. Continue climb-in-holding pattern (hold north, right turn, 168° inbound) to cross ALDER at or above the MEA for direction of flight. Do not exceed 175k when climb-in-hold.

Rwy 35, climbing left turn to intercept SEA R-168 to ALDER INT/SEA 37.09 DME and hold. Continue climb-in-holding pattern (hold north, right turn, 168° inbound) to cross ALDER at or above MEA for direction of flight. Do not exceed 175k when climb-in-hold.

TAKEOFF OBSTACLE NOTES:

Rwy 17, sign 9' from DER, 70' left of centerline, 2' AGL/537' MSL.

Sign 10' from DER, 69' right of centerline, 2' AGL/537' MSL.

Fence 51' from DER, 250' left of centerline, 6' AGL/540' MSL.

Pole 69' from DER, 312' left of centerline, 18' AGL/552' MSL.

Pole, traverse way beginning 86' from DER, 454' left of centerline, up to 33' AGL/567' MSL.

Buildings, traverse way beginning 130' from DER, 41' left of centerline, up to 41' AGL/575' MSL.

Traverse ways beginning 184' from DER, 459' right of centerline, up to 542' MSL.

Traverse ways beginning 249' from DER, 150' right of centerline, up to 545' MSL.

Trees, terrain, traverse ways, general utility beginning 351' from DER, 10' left of centerline, up to 58' AGL/589' MSL.

Tree 409' from DER, 605' right of centerline, 29' AGL/547' MSL.

Pole 511' from DER, 566' right of centerline, 40' AGL/552' MSL.

Tree 624' from DER, 429' right of centerline, 36' AGL/563' MSL.

Trees beginning 649' from DER, 324' right of centerline, up to 39' AGL/572' MSL.

Traverse ways beginning 1149' from DER, 398' right of centerline, up to 574' MSL.

Traverse ways beginning 1290' from DER, 1' right of centerline, up to 582' MSL.

Traverse ways beginning 1583' from DER, 386' right of centerline, up to 583' MSL.

Traverse ways beginning 1668' from DER, 90' right of centerline, up to 587' MSL.

Trees beginning 2925' from DER, 580' left of centerline, up to 106' AGL/638' MSL.

Trees beginning 2974' from DER, 675' left of centerline, up to 106' AGL/642' MSL.

Trees beginning 3077' from DER, 258' left of centerline, up to 107' AGL/646' MSL.

Trees beginning 3161' from DER, 35' left of centerline, up to 117' AGL/656' MSL.

Trees beginning 3227' from DER, 73' left of centerline, up to 125' AGL/668' MSL.

Trees beginning 3241' from DER, 138' right of centerline, up to 641' MSL.

Trees beginning 3361' from DER, 74' right of centerline, up to 647' MSL.

Trees beginning 3489' from DER, 81' right of centerline, up to 107' AGL/654' MSL.

Trees beginning 3572' from DER, 156' right of centerline, up to 655' MSL.

Trees beginning 3925' from DER, 758' left of centerline, up to 672' MSL.

Trees beginning 4030' from DER, 23' left of centerline, up to 674' MSL.

Trees beginning 4103' from DER, 62' left of centerline, up to 680' MSL.

Tree 4139' from DER, 162' right of centerline, 110' AGL/667' MSL.

Trees beginning 4253' from DER, 119' right of centerline, up to 116' AGL/668' MSL.

Trees beginning 4295' from DER, 115' left of centerline, up to 118' AGL/681' MSL.

Trees beginning 4723' from DER, 158' left of centerline, up to 118' AGL/683' MSL.

Trees beginning 5332' from DER, 865' left of centerline, up to 123' AGL/684' MSL.

Tree 5698' from DER, 1207' left of centerline, 117' AGL/686' MSL.

Trees beginning 5744' from DER, 934' left of centerline, up to 113' AGL/689' MSL.

Trees beginning 5911' from DER, 791' left of centerline, up to 107' AGL/691' MSL.

Tree 6037' from DER, 809' left of centerline, 106' AGL/692' MSL.

Tank 1.1 NM from DER, 2325' left of centerline, 106' AGL/711' MSL.

Trees beginning 1.2 NM from DER, 770' left of centerline, up to 149' AGL/738' MSL.

Rwy 35, vertical structure, terrain beginning 10' from DER, 70' right of centerline, up to 2' AGL/540' MSL.

Lighting, traverse way beginning 10' from DER, 19' left of centerline, up to 2' AGL/539' MSL.

Trees beginning 57' from DER, 270' right of centerline, up to 609' MSL.

Trees, building beginning 349' from DER, 252' left of centerline, up to 581' MSL.

Trees, building beginning 628' from DER, 427' left of centerline, up to 55' AGL/585' MSL.

Trees, pole beginning 778' from DER, 217' left of centerline, up to 636' MSL.

Trees beginning 1129' from DER, 452' right of centerline, up to 631' MSL.

Trees beginning 1834' from DER, 435' right of centerline, up to 135' AGL/663' MSL.

Trees beginning 1889' from DER, 443' right of centerline, up to 134' AGL/666' MSL.

Trees beginning 2316' from DER, 505' right of centerline, up to 143' AGL/697' MSL.

Trees beginning 2581' from DER, 739' right of centerline, up to 160' AGL/709' MSL.

Trees beginning 2690' from DER, 5' right of centerline, up to 157' AGL/716' MSL.

Trees beginning 2791' from DER, 17' left of centerline, up to 141' AGL/664' MSL.

Trees beginning 2959' from DER, 74' left of centerline, up to 139' AGL/665' MSL.

Trees beginning 3130' from DER, 55' left of centerline, up to 144' AGL/667' MSL.

Trees beginning 3681' from DER, 58' left of centerline, up to 141' AGL/671' MSL.

Tree 5290' from DER, 1828' right of centerline, 148' AGL/705' MSL.

22 FEB 2024 to 21 MAR 2024

22 FEB 2024 to 21 MAR 2024

TAKEOFF MINIMUMS, (OBSTACLE) DEPARTURE PROCEDURES, AND DIVERSE VECTOR AREA (RADAR VECTORS)

24025

NW-1

TAKEOFF MINIMUMS, (OBSTACLE) DEPARTURE PROCEDURES, AND DIVERSE VECTOR AREA (RADAR VECTORS)

24025

PUYALLUP, WA (CON'T)

PIERCE COUNTY-THUN FIELD (PLU) (CON'T)

DIVERSE VECTOR AREA (RADAR VECTORS)

AMDT 2 27JAN22 (22027) (FAA)

Rwy 17, heading as assigned by ATC; requires min. climb of 230' per NM to 2100.**Rwy 35**, heading as assigned by ATC; requires min. climb of 555' per NM to 800.

RAWLINS, WY

RAWLINS MUNI/HARVEY FLD (RWL)

TAKEOFF MINIMUMS AND (OBSTACLE) DEPARTURE PROCEDURES

AMDT 6 15AUG19 (21280) (FAA)

TAKEOFF MINIMUMS:

Rwys 11, 29, NA-Environmental.**Rwy 4**, 500-3 or std. w/min. climb of 270' per NM to 7500.**Rwy 22**, 600-3 w/min. climb of 255' per NM to 7900, or std. w/min. climb of 350' per NM to 7500, or 1500-3 for VCOA.

DEPARTURE PROCEDURE:

Rwy 4, climbing right turn to 10000 on heading 170° to intercept CKW VOR/DME R-080 to CKW VOR/DME, then proceed on course.**Rwy 22**, climb to 10000 on heading 224° to intercept CKW VOR/DME R-085 to CKW VOR/DME, then proceed on course.

VCOA:

Rwy 22, obtain ATC approval for VCOA when requesting IFR clearance. Climb in visual conditions to cross Rawlins Muni/Harvey Fld at or above 8200 before proceeding on course.

TAKEOFF OBSTACLE NOTES:

Rwy 4, terrain, NAVAID beginning 12' from DER, 123' left of centerline, 6826' MSL.

Terrain 29' from DER, 360' left of centerline, 6835' MSL.

Terrain, tree beginning 88' from DER, 149' right of centerline, up to 6828' MSL.

Terrain 170' from DER, 389' left of centerline, 6836' MSL.

Road, terrain beginning 193' from DER, 419' right of centerline, up to 6844' MSL.

Utility, vertical point beginning 204' from DER, 426' left of centerline, up to 4' AGL/6842' MSL.

Road, terrain beginning 239' from DER, 362' right of centerline, up to 6846' MSL.

Road, terrain beginning 347' from DER, 478' left of centerline, up to 6859' MSL.

Road 628' from DER, 580' left of centerline, 6868' MSL.

Road 705' from DER, 581' right of centerline, 6852' MSL.

Road, fence, terrain beginning 814' from DER, 55' right of centerline, up to 6856' MSL.

Road, terrain, fence beginning 873' from DER, 418' left of centerline, up to 6877' MSL.

Road 1007' from DER, 581' left of centerline, 6881' MSL.

Road, terrain beginning 1109' from DER, 559' left of centerline, up to 6884' MSL.

Road, terrain, fence beginning 1217' from DER, 313' left of centerline, up to 6886' MSL.

Fence, terrain beginning 1941' from DER, 797' left of centerline, up to 10' AGL/6890' MSL.

Terrain beginning 3568' from DER, 1223' left of centerline, up to 6911' MSL.

Roads beginning 3761' from DER, 358' left of centerline, 6928' MSL.

Road, terrain, vegetation beginning 3885' from DER, 789' left of centerline, up to 6931' MSL.

Rwy 22, road at DER, 184' left of centerline, 6758' MSL.

Roads beginning 24' from DER, 4' right of centerline, 6759' MSL.

Road, building beginning 39' from DER, 235' right of centerline, up to 6760' MSL.

Pole, building beginning 206' from DER, 317' right of centerline, up to 24' AGL/6769' MSL.

Transmission line, pole, tank beginning 340' from DER, 324' right of centerline, up to 32' AGL/6774' MSL.

Road, vegetation beginning 1.8 NM from DER, 3474' left of centerline, 7060' MSL.

Vegetation, roads beginning 1.9 NM from DER, 3380' left of centerline, up to 60' AGL/7118' MSL.

Vegetation, transmission line beginning 2 NM from DER, 2979' left of centerline, up to 60' AGL/7266' MSL.

Tower, vegetation, transmission line, pole, antenna, road beginning 2.1 NM from DER, 2203' left of centerline, up to 110' AGL/7322' MSL.

REDMOND, OR

ROBERTS FLD (RDM)

TAKEOFF MINIMUMS AND (OBSTACLE) DEPARTURE PROCEDURES

AMDT 6 20AUG15 (21112) (FAA)

TAKEOFF MINIMUMS:

Rwy 5, std. w/min. climb of 260' per NM to 5000.**Rwy 23**, std. w/min. climb of 235' per NM to 4500.**Rwy 29**, std. w/min. climb of 240' per NM to 4500.

DEPARTURE PROCEDURE:

Rwy 5, Climbing left turn on heading 269° and DSD R-047 to DSD VORTAC, thence...**Rwy 11**, Climbing right turn on heading 244° and DSD R-090 to DSD VORTAC, thence...**Rwy 23**, Climb heading 226° and DSD R-090 to DSD VORTAC, thence...**Rwy 29**, Climbing left turn on heading 279° and DSD R-045 to DSD VORTAC, thence...

...climb in DSD VORTAC holding pattern (hold north, right turn, 168° inbound) to cross DSD VORTAC at or above MEA/MCA for route of flight before proceeding on course.

TAKEOFF OBSTACLE NOTES:

Rwy 29, trees beginning 12' from DER, 421' right of centerline, up to 12' AGL/3079' MSL.

Tree 364' from DER, 449' left of centerline, 15' AGL/3054' MSL.

TAKEOFF MINIMUMS, (OBSTACLE) DEPARTURE PROCEDURES, AND DIVERSE VECTOR AREA (RADAR VECTORS)

24025

TAKEOFF MINIMUMS, (OBSTACLE) DEPARTURE PROCEDURES, AND DIVERSE VECTOR AREA (RADAR VECTORS)

24025

RENTON, WA

RENTON MUNI (RNT)

TAKEOFF MINIMUMS AND (OBSTACLE) DEPARTURE PROCEDURES

AMDT 8A 13SEP18 (18256) (FAA)

TAKEOFF MINIMUMS:

Rwy 16, std. w/min. climb of 405' per NM to 2000.**Rwy 34**, std. w/min. climb of 330' per NM to 2700.

DEPARTURE PROCEDURE:

Rwy 16, climb heading 157° to 3000 then climbing right turn to intercept SEA R-180 to SEA VORTAC, thence . . .**Rwy 34**, climb heading 337° to 3000 then climbing left turn to intercept SEA R-340 to SEA VORTAC, thence . . .

. . . continue climb in SEA holding pattern (hold east, left turns, 290° inbound) to cross SEA VORTAC at or above MEA/MCA for route of flight.

TAKEOFF OBSTACLE NOTES:

Rwy 16, building, vehicles on roads, walls, general utility, poles beginning 8' from DER, 3' left of centerline, up to 26' AGL/59' MSL.

Sign, vehicles on roads, wall beginning 40' from DER, 116' right of centerline, up to 19' AGL/49' MSL.

Poles, vehicles on roads, trees, sign, buildings beginning 181' from DER, 3' right of centerline, up to 40' AGL/73' MSL.

Poles, vehicles on road, buildings, vegetation, trees beginning 287' from DER, 10' left of centerline, up to 39' AGL/71' MSL.

Trees, poles beginning 585' from DER, 39' right of centerline, up to 101' MSL.

Trees, building beginning 716' from DER, 5' right of centerline, up to 106' MSL.

Trees 941' from DER, 383' right of centerline, 120' MSL.

Trees beginning 998' from DER, 9' right of centerline, up to 146' MSL.

Trees beginning 1626' from DER, 3' left of centerline, up to 82' MSL.

Trees beginning 1638' from DER, 70' left of centerline, up to 119' MSL.

Trees, building beginning 1720' from DER, 9' left of centerline, up to 120' MSL.

Transmission line 1.4 NM from DER, 2562' left of centerline, 121' AGL/453' MSL.

Trees 1.9 NM from DER, 3214' left of centerline, 572' MSL.

Rwy 34, vehicles on road 2' from DER, 194' right of centerline, 9' AGL/28' MSL.

Vehicles on road 2' from DER, 242' right of centerline, 10' AGL/29' MSL.

Lighting 6' from DER, 80' left of centerline, 2' AGL/25' MSL.

Fence 17' from DER, 329' left of centerline, 8' AGL/29' MSL.

REXBURG, ID

REXBURG-MADISON COUNTY (RXE)

TAKEOFF MINIMUMS AND (OBSTACLE) DEPARTURE PROCEDURES

AMDT 5 06DEC18 (18340) (FAA)

DEPARTURE PROCEDURE:

Rwy 17, climbing right turn on heading 215° and IDA VOR/DME R-015 to RIGBY INT to MEA for route of flight, if not at MEA continue climb in RIGBY INT holding pattern (hold north, right turn, 195° inbound) to cross RIGBY INT at or above MEA before proceeding on course.**Rwy 35**, climbing left turn on heading 165° and IDA VOR/DME R-015 to RIGBY INT to MEA for route of flight before proceeding on course.

TAKEOFF OBSTACLE NOTES:

Rwy 17, It support structure 7' from DER, 6' right of centerline, 4860' MSL.

Building, REIL, NAVAID, and vehicle on road beginning 22' from DER, 113' right of centerline, up to 23' AGL/4880' MSL.

Tree and fence beginning 27' from DER, 135' left of centerline, up to 23' AGL/4882' MSL.

Pole, building and trees beginning 104' from DER, 51' left of centerline, up to 4913' MSL.

Pole 237' from DER, 515' right of centerline, 39' AGL/4896' MSL.

Trees beginning 281' from DER, 291' right of centerline, up to 4901' MSL.

Trees, pole and vehicle on road beginning 296' from DER, 311' right of centerline, up to 4906' MSL.

Trees beginning 1732' from DER, 481' right of centerline, up to 4920' MSL.

Trees beginning 1968' from DER, 403' right of centerline, up to 4928' MSL.

Rwy 35, tree 18' from DER, 367' right of centerline, 48' AGL/4898' MSL.

Trees and vehicle on road beginning 23' from DER, 41' right of centerline, up to 4937' MSL.

Tree 27' from DER, 125' left of centerline, 4861' MSL.

Tree 57' from DER, 449' left of centerline, 4866' MSL.

Tree 188' from DER, 424' left of centerline, 4872' MSL.

Trees beginning 204' from DER, 470' left of centerline, up to 4898' MSL.

Trees beginning 240' from DER, 28' left of centerline, up to 4924' MSL.

22 FEB 2024 to 21 MAR 2024

22 FEB 2024 to 21 MAR 2024

TAKEOFF MINIMUMS, (OBSTACLE) DEPARTURE PROCEDURES, AND DIVERSE VECTOR AREA (RADAR VECTORS)

24025

NW-1

TAKEOFF MINIMUMS, (OBSTACLE) DEPARTURE PROCEDURES, AND DIVERSE VECTOR AREA (RADAR VECTORS)

24025

RICHLAND, WA

RICHLAND (RLD)

TAKEOFF MINIMUMS AND (OBSTACLE) DEPARTURE PROCEDURES

AMDT 9 13NOV14 (14317) (FAA)

TAKEOFF MINIMUMS:

Rwys 1, 8, std. w/ min. climb of 310' per NM to 5000, or 4600-3 for climb in visual conditions.

Rwy 19, std. w/ min. climb of 480' per NM to 5000, or 4600-3 for climb in visual conditions.

Rwy 26, std. w/ min. climb of 355' per NM to 5000, or 4600-3 for climb in visual conditions.

DEPARTURE PROCEDURE:

Rwys 1, 8, climbing left turn heading 220° to intercept PSC VOR/DME R-273 to 6000 to PAPPS INT /PSC 32.51 DME before proceeding on course.

Rwy 19, climbing right turn heading 310° to intercept PSC VOR/DME R-273 to 6000 to PAPPS INT/PSC 32.51 DME before proceeding on course.

Rwy 26, climbing right turn heading 290° to intercept PSC VOR/DME R-273 to 6000 to PAPPS INT/PSC 32.51 DME before proceeding on course.

VCOA:

All runways, obtain ATC approval for climb in visual conditions when requesting IFR clearance. Climb in visual conditions to cross Richland Airport at or above 4800 then on PSC VOR/DME R-273 to PAPPS INT/PSC 32.51 DME before proceeding on course.

TAKEOFF OBSTACLE NOTES:

Rwy 1, tree and terrain beginning 34' from DER, 35' left of centerline, up to 27' AGL/407' MSL.

Terrain 125' from DER, 154' right of centerline, 394' MSL.

Pole and transmission pole beginning 752' from DER, 446' right of centerline, up to 41' AGL/416' MSL.

Rwy 8, sign 22' from DER, 122' right of centerline, 3' AGL/391' MSL.

Terrain beginning 91' from DER, left and right of centerline, 394' MSL.

Railroad cars beginning 204' from DER, left and right of centerline, up to 27' AGL/410' MSL.

Multiple trees beginning 1510' from DER, 12' right of centerline, up to 25' AGL/438' MSL.

Multiple trees beginning 2240' from DER, 94' left of centerline, up to 25' AGL/456' MSL.

Rwy 19, bush 22' from DER, 493' left of centerline, 11' AGL/401' MSL.

Terrain 64' from DER, 169' right of centerline, 394' MSL.

Bush 204' from DER, 297' left of centerline, 4' AGL/399' MSL.

Multiple trees beginning 323' from DER, 478' right of centerline, up to 25' AGL/424' MSL.

Multiple trees beginning 665' from DER, 399' left of centerline, up to 25' AGL/472' MSL.

Rwy 26, terrain and multiple trees beginning 72' from DER, left and right of centerline, up to 17' AGL/407' MSL.

Antenna 304' from DER, 445' right of centerline, 5' AGL/408' MSL.

Pole 392' from DER, 255' right of centerline, 1' AGL/409' MSL.

Fence 450' from DER, left and right of centerline, up to 5' AGL/425' MSL.

Bush, terrain and multiple trees beginning 729' from DER, 231' right of centerline, up to 17' AGL/427' MSL.

Multiple trees beginning 1742' from DER, 869' left of centerline, up to 25' AGL/457' MSL.

RIVERTON, WY

CENTRAL WYOMING RGNL (RIW)

TAKEOFF MINIMUMS AND (OBSTACLE) DEPARTURE PROCEDURES

AMDT 2 10DEC15 (20310) (FAA)

TAKEOFF MINIMUMS:

Rwy 28, 200-1¼ or std. w/min. climb of 235' per NM to 5800, or alternatively, with standard takeoff minimums and a normal 200' per NM climb gradient, takeoff must occur no later than 1800' prior to DER.

DEPARTURE PROCEDURE:

Rwy 1, 10, 19, 28, Climbing right turn direct RIW VOR/DME, continue climb in RIW VOR/DME holding pattern (hold se, rt, 293° inbound) to cross RIW VOR/DME at or above MEA for route of flight.

TAKEOFF OBSTACLE NOTES:

Rwy 1, It support structure 10' from DER, 17' left of centerline, 3' AGL/5481' MSL.

Vehicles on road, terrain, and fence beginning 17' from DER, 335' left of centerline, up to 15' AGL/5497' MSL.

Rwy 10, vehicles on road beginning 1' from DER, 92' right of centerline, up to 15' AGL/5456' MSL.

Airfield lt 11' from DER, 4' right of centerline, 2' AGL/5444' MSL.

Airfield lt 11' from DER, 6' left of centerline, 2' AGL/5444' MSL.

Vehicles on road beginning 90' from DER, 21' right of centerline, up to 15' AGL/5455' MSL.

Rwy 19, It support structure 10' from DER, 17' right of centerline, 2' AGL/5465' MSL.

Vehicles on road and fence beginning 13' from DER, 255' right of centerline, up to 15' AGL/5473' MSL.

T-1 tower 936' from DER, 682' right of centerline, 31' AGL/5490' MSL.

Rwy 28, vehicles on road and terrain beginning 18' from DER, 305' left of centerline, up to 15' AGL/5552' MSL.

Vehicles on road beginning 32' from DER, 281' right of centerline, up to 15' AGL/5538' MSL.

Building 956' from DER, 287' right of centerline, 4' AGL/5545' MSL.

NAVAID 1002' from DER, 2' left of centerline, 7' AGL/5546' MSL.

Vehicle on road 1074' from DER, 5' right of centerline, up to 15' AGL/5555' MSL.

Vehicles on road and terrain beginning 1300' from DER, 111' right of centerline, up to 15' AGL/5580' MSL.

Terrain beginning 1796' from DER, crossing centerline, up to 5571' MSL.

Vehicles on road and fence beginning 2497' from DER, crossing centerline, up to 15' AGL/5594' MSL.

Vehicles on road beginning 2067' from DER, 754' left of centerline, up to 15' AGL/5597' MSL.

Poles beginning 1987' from DER, 365' left of centerline, up to 28' AGL/5611' MSL.

T-1 towers and catenaries beginning 3401' from DER, crossing centerline, up to 72' AGL/5656' MSL.

Antenna and pole beginning 5656' from DER, 1594' right of centerline, up to 50' AGL/5682' MSL.

Tower 5972' from DER, 1848' left of centerline, 64' AGL/5679' MSL.

TAKEOFF MINIMUMS, (OBSTACLE) DEPARTURE PROCEDURES, AND DIVERSE VECTOR AREA (RADAR VECTORS)

24025

NW-1

TAKEOFF MINIMUMS, (OBSTACLE) DEPARTURE PROCEDURES, AND DIVERSE VECTOR AREA (RADAR VECTORS)

24025

ROCK SPRINGS, WY

SOUTHWEST WYOMING RGNL (RKS)

TAKEOFF MINIMUMS AND (OBSTACLE) DEPARTURE PROCEDURES

AMDT 6A 08NOV18 (18312) (FAA)

DEPARTURE PROCEDURE:

Rwy 3, climb heading 032° to 8000 then climbing left turn direct OCS VOR/DME, continue climb in OCS VOR/DME holding pattern (hold east, right turn, 260° inbound) to cross OCS VOR/DME at or above MEA for route of flight.

Rwy 9, climb heading 090° to 8200 then climbing left turn direct OCS VOR/DME, continue climb in OCS VOR/DME holding pattern (hold east, right turn, 260° inbound) to cross OCS VOR/DME at or above MEA for route of flight.

Rwy 21, climb heading 212° to 8400 then climbing right turn direct OCS VOR/DME, continue climb in OCS VOR/DME holding pattern (hold east, right turn, 260° inbound) to cross OCS VOR/DME at or above MEA for route of flight.

Rwy 27, climb heading 270° to 7900 then climbing right turn on OCS R-291 to OCS VOR/DME, continue climb in OCS VOR/DME holding pattern (hold east, right turn, 260° inbound) to cross OCS VOR/DME at or above MEA for route of flight.

TAKEOFF OBSTACLE NOTES:

Rwy 3, vehicles on road beginning 22' from DER, 120 left of centerline, up to 20' AGL/6760' MSL.

Bushes beginning 178' from DER, 517' right of centerline, up to 15' AGL/6755' MSL.

Rwy 21, bush 53' from DER, 221' left of centerline, 15' AGL/6737' MSL.

RONAN, MT

RONAN (7S0)

TAKEOFF MINIMUMS AND (OBSTACLE) DEPARTURE PROCEDURES

ORIG 22OCT09 (22111) (FAA)

TAKEOFF MINIMUMS:

Rwy 16, std. w/min. climb of 260' per NM to 9900 or 6100-3 for climb in visual conditions.

Rwy 34, std. w/min. climb of 250' per NM to 9900 or 6100-3 for climb in visual conditions.

DEPARTURE PROCEDURE:

Rwy 16, climb to 8800 on a heading between 177° CW to 336° from DER or for climb in visual conditions, cross Ronan airport at or above 9000 before proceeding on course.

Rwy 34, climb to 8800 on a heading between 336° CCW to 177° from DER or for climb in visual conditions, cross Ronan airport at or above 9000 before proceeding on course.

TAKEOFF OBSTACLE NOTES:

Rwy 16, tree 485' from DER, 386' left of centerline 50' AGL/3149' MSL.

Rwy 34, building 158' from DER, 370' left of centerline 40' AGL/3130' MSL.

Tree 1358' from DER, 556' left of centerline 50' AGL/3149' MSL.

ROSEBURG, OR

ROSEBURG RGNL (RBG)

TAKEOFF MINIMUMS AND (OBSTACLE) DEPARTURE PROCEDURES

AMDT 7A 03NOV22 (22307) (FAA)

TAKEOFF MINIMUMS:

Rwy 16, 800-2 w/min. climb of 500' per NM to 4500 or 2700-3 for VCOA.

Rwy 34, 900-2½ w/min. climb of 500' per NM to 4500 or 2700-3 for VCOA.

DEPARTURE PROCEDURE:

Rwy 16, climb direct RBG VOR/DME, continue climb in RBG VOR/DME holding pattern (hold N, right turn, 163° inbound) to cross RBG VOR/DME at or above MEA/MCA for route of flight.

Rwy 34, climb on heading 346° to 2900 before proceeding on course.

VCOA:

All runways, obtain ATC approval for VCOA when requesting IFR clearance. Climb in visual conditions to cross Roseburg Rgnl airport southbound at or above 3100 then direct RBG VOR/DME, continue climb in RBG VOR/DME holding pattern (hold N, right turn, 163° inbound) to cross RBG VOR/DME at or above MEA/MCA for route of flight.

TAKEOFF OBSTACLE NOTES:

Rwy 16, poles beginning 12' from DER, 298' left of centerline, up to 26' AGL/526' MSL.

Pole, fence, vehicle on road, building beginning 66' from DER, 284' left of centerline, up to 29' AGL/529' MSL.

Tree 136' from DER, 464' right of centerline, 16' AGL/533' MSL.

Tree, vehicle on road beginning 194' from DER, 272' right of centerline, up to 16' AGL/547' MSL.

Trees, poles, buildings beginning 293' from DER, 184' right of centerline, up to 100' AGL/606' MSL.

Trees, poles, buildings beginning 294' from DER, on centerline, up to 100' AGL/612' MSL.

Trees, poles, buildings beginning 748' from DER, 7' right of centerline, up to 89' AGL/616' MSL.

Trees, pole beginning 1400' from DER, on centerline, up to 98' AGL/626' MSL.

Trees beginning 3029' from DER, 664' left of centerline, up to 100' AGL/616' MSL.

Trees beginning 3332' from DER, 1108' left of centerline, up to 100' AGL/645' MSL.

Trees beginning 1.1 NM from DER, 227' right of centerline, up to 100' AGL/839' MSL tower, trees beginning 1.2 NM from DER, 408' right of centerline, up to 100' AGL/898' MSL.

Pole, trees beginning 1.3 NM from DER, 876' right of centerline, up to 100' AGL/1039' MSL.

Trees, pole beginning 1.4 NM from DER, 1118' right of centerline, up to 100' AGL/1157' MSL.

Trees, tower, pole beginning 1.4 NM from DER, 1340' right of centerline, up to 100' AGL/1216' MSL.

Tree 1.6 NM from DER, 2787' right of centerline, 55' AGL/1217' MSL.

Antenna 1.6 NM from DER, 2390' right of centerline, 93' AGL/1236' MSL.

Tower, trees, antenna beginning 1.6 NM from DER, 1342' right of centerline, up to 95' AGL/1240' MSL.

Trees beginning 1.7 NM from DER, 2878' left of centerline, up to 100' AGL/894' MSL.

Trees beginning 2.0 NM from DER, 3321' left of centerline, up to 100' AGL/1049' MSL.

Catenary, pole, trees beginning 2.1 NM from DER, 206' left of centerline, up to 105' AGL/1130' MSL.

CONT

TAKEOFF MINIMUMS, (OBSTACLE) DEPARTURE PROCEDURES, AND DIVERSE VECTOR AREA (RADAR VECTORS)

24025

NW-1

TAKEOFF MINIMUMS, (OBSTACLE) DEPARTURE PROCEDURES, AND DIVERSE VECTOR AREA (RADAR VECTORS)

24025

ROSEBURG, OR (CON'T)

ROSEBURG RGNL (RBG) (CON'T)

Rwy 34, lighting, pole beginning 41' from DER, 362' left of centerline, up to 41' AGL/557' MSL.
 Terrain 91' from DER, 362' right of centerline, 552' MSL.
 Trees, buildings beginning 170' from DER, 8' right of centerline, up to 100' AGL/655' MSL.
 Trees, pole, sign beginning 171' from DER, 213' left of centerline, up to 100' AGL/632' MSL.
 Trees, buildings, vehicle on road beginning 474' from DER, 8' right of centerline, up to 100' AGL/665' MSL.
 Trees, poles, buildings, sign beginning 475' from DER, 50' left of centerline, up to 100' AGL/639' MSL.
 Trees, vehicle on road, buildings beginning 778' from DER, 8' right of centerline, up to 100' AGL/675' MSL.
 Trees, buildings beginning 1081' from DER, 9' right of centerline, up to 100' AGL/684' MSL.
 Trees, vehicle on road, pole beginning 1385' from DER, 9' right of centerline, up to 100' AGL/698' MSL.
 Trees beginning 1689' from DER, 9' right of centerline, up to 100' AGL/714' MSL.
 Trees, buildings beginning 1690' from DER, 212' left of centerline, up to 100' AGL/645' MSL.
 Trees beginning 1993' from DER, 211' left of centerline, up to 100' AGL/652' MSL.
 Trees beginning 2298' from DER, 655' left of centerline, up to 100' AGL/655' MSL.
 Trees beginning 2601' from DER, 211' left of centerline, up to 100' AGL/662' MSL.
 Trees beginning 2905' from DER, 211' left of centerline, up to 100' AGL/675' MSL.
 Trees beginning 3207' from DER, 11' right of centerline, up to 100' AGL/747' MSL.
 Trees beginning 3208' from DER, 210' left of centerline, up to 100' AGL/694' MSL
 Tree 3398' from DER, 647' left of centerline, 60' AGL/699' MSL.
 Tree 3405' from DER, 472' left of centerline, 53' AGL/701' MSL.
 Trees beginning 3413' from DER, 210' left of centerline, 65' AGL/708' MSL.
 Trees beginning 3514' from DER, 1320' left of centerline, up to 100' AGL/711' MSL.
 Trees beginning 3597' from DER, 192' left of centerline, up to 70' AGL/775' MSL.
 Tree 3609' from DER, 384' left of centerline, 42' AGL/764' MSL.
 Tree 3615' from DER, 503' left of centerline, 42' AGL/775' MSL.
 Trees beginning 3736' from DER, 465' left of centerline, up to 42' AGL/793' MSL.
 Trees beginning 3784' from DER, 12' right of centerline, up to 50' AGL/771' MSL.
 Trees beginning 3785' from DER, 161' left of centerline, up to 51' AGL/812' MSL.
 Trees, pole beginning 3984' from DER, 12' right of centerline, up to 45' AGL/809' MSL.
 Trees beginning 3984' from DER, 104' left of centerline, up to 40' AGL/854' MSL.
 Trees beginning 4207' from DER, 137' left of centerline, up to 42' AGL/859' MSL.
 Trees beginning 4221' from DER, 64' left of centerline, up to 65' AGL/880' MSL.
 Pole 4388' from DER, 24' right of centerline, 45' AGL/862' MSL.
 Pole, trees beginning 4400' from DER, 9' right of centerline, up to 43' AGL/868' MSL.
 Trees, pole, antenna beginning 4411' from DER, 47' left of centerline, up to 47' AGL/953' MSL.
 Trees, vehicle on road beginning 4467' from DER, 5' right of centerline, up to 49' AGL/875' MSL.
 Trees beginning 4598' from DER, 407' left of centerline, up to 53' AGL/982' MSL.
 Trees beginning 4681' from DER, 31' left of centerline, up to 55' AGL/984' MSL.
 Trees beginning 4811' from DER, 54' left of centerline, up to 73' AGL/994' MSL.
 Trees beginning 5816' from DER, 207' left of centerline, up to 73' AGL/997' MSL.
 Trees beginning 6004' from DER, 1375' left of centerline, up to 57' AGL/1078' MSL.
 Trees beginning 1.0 NM from DER, 206' left of centerline, up to 102' AGL/1191' MSL.
 Trees, vehicle on road beginning 1.2 NM from DER, 1092' left of centerline, up to 100' AGL/1226' MSL.
 Trees, vehicle on road beginning 1.3 NM from DER, 646' left of centerline, up to 100' AGL/1308' MSL.
 Trees beginning 1.6 NM from DER, 644' left of centerline, up to 87' AGL/1308' MSL.
 Trees beginning 1.7 NM from DER, 3127' right of centerline, up to 100' AGL/917' MSL.
 Trees beginning 1.9 NM from DER, 644' left of centerline, up to 104' AGL/1316' MSL.

ROUNDUP, MT

ROUNDUP (RPX)

TAKEOFF MINIMUMS AND (OBSTACLE) DEPARTURE PROCEDURES

ORIG 20SEP12 (12264) (FAA)

DEPARTURE PROCEDURE:

Rwy 25, climb heading 247° to 4500 before turning right.

TAKEOFF OBSTACLE NOTES:

Rwy 7, trees and terrain beginning 13' from DER, 360' right of centerline, up to 45' AGL/3445' MSL.
 Trees beginning 502' from DER, 590' right of centerline, up to 45' AGL/3446' MSL.
 Poles 85' from DER, 458' right of centerline, up to 16' AGL/3439' MSL.
Rwy 25, trees and terrain beginning 12' from DER, 8' left of centerline, up to 45' AGL/3523' MSL.
 Poles 313' from DER, 192' right of centerline, up to 16' AGL/3500' MSL.
 Trees beginning 343' from DER, 204' right of centerline, up to 45' AGL/3502' MSL.
 Vehicles on roadway 535' from DER, across centerline, up to 15' AGL/3519' MSL.
 Trees and terrain beginning 676' from DER, 2' left of centerline, up to 45' AGL/3528' MSL.
 Trees and terrain beginning 729' from DER, 1' right of centerline, up to 45' AGL/3519' MSL.

22 FEB 2024 to 21 MAR 2024

22 FEB 2024 to 21 MAR 2024

TAKEOFF MINIMUMS, (OBSTACLE) DEPARTURE PROCEDURES, AND DIVERSE VECTOR AREA (RADAR VECTORS)

24025

NW-1

TAKEOFF MINIMUMS, (OBSTACLE) DEPARTURE PROCEDURES, AND DIVERSE VECTOR AREA (RADAR VECTORS)

24025

SALEM, OR

MCNARY FLD (SLE)

TAKEOFF MINIMUMS AND (OBSTACLE) DEPARTURE PROCEDURES

AMDT 10 15JUN23 (23166) (FAA)

TAKEOFF MINIMUMS:

Rwy 13, 300-1¼ w/min. climb of 265' per NM to 4000, or std. w/min. climb of 328' per NM to 2600, or 2400-3 for VCOA.

Rwy 16, 400-1¼ w/min. climb of 302' per NM to 1200, or std. w/min. climb of 606' per NM to 1500, or 2400-3 for VCOA.

DEPARTURE PROCEDURE:

Rwy 13, climb on heading 133° to 2500 before proceeding on course.

Rwy 16, climbing left turn on heading 130° to 2500 before proceeding on course.

Rwy 31, climb on heading 313° to 2500 before turning left.

Rwy 34, climb on heading 344° to 2500 before turning right.

VCOA:

Rwys 13, 16, obtain ATC approval for VCOA when requesting IFR clearance. Climb in visual conditions to cross McNary Fld airport at or above 2500 before proceeding on course.

TAKEOFF OBSTACLE NOTES:

Rwy 13, light poles 10' from DER, 55' right of centerline, 1' AGL/214' MSL.

Light poles 10' from DER, 54' left of centerline, 1' AGL/214' MSL.

Tree 1515' from DER, 737' left of centerline, 262' MSL.

Tree 1733' from DER, 937' left of centerline, 72' AGL/294' MSL.

Trees beginning 1837' from DER, 747' left of centerline, up to 93' AGL/315' MSL.

Trees beginning 3562' from DER, 837' right of centerline, up to 101' AGL/323' MSL.

Tree 3768' from DER, 1181' right of centerline, 124' AGL/362' MSL.

Trees and poles beginning 3823' from DER, 964' right of centerline, up to 91' AGL/370' MSL.

Tree 4152' from DER, 409' left of centerline, 95' AGL/318' MSL.

Tree 4162' from DER, 591' left of centerline, 320' MSL.

Trees beginning 4564' from DER, 1121' right of centerline, up to 81' AGL/373' MSL.

Trees beginning 4636' from DER, 1267' right of centerline, up to 87' AGL/378' MSL.

Trees beginning 4922' from DER, 1295' right of centerline, up to 97' AGL/381' MSL.

Tree 5127' from DER, 1850' right of centerline, 70' AGL/386' MSL.

Trees beginning 5173' from DER, 1458' right of centerline, up to 107' AGL/405' MSL.

Tree 5787' from DER, 1476' right of centerline, 118' AGL/408' MSL.

Rwy 16, tree 182' from DER, 408' right of centerline, 20' AGL/231' MSL.

Tree 360' from DER, 433' right of centerline, 52' AGL/262' MSL.

Trees, vehicles on road, poles, buildings and towers beginning 553' from DER, 67' right of centerline, up to 279' MSL.

Vehicles on road beginning 578' from DER, 407' left of centerline, up to 15' AGL/232' MSL.

Tree 1201' from DER, 301' left of centerline, 252' MSL.

Building 1202' from DER, 65' left of centerline, 39' AGL/255' MSL.

Trees and buildings beginning 1228' from DER, 154' left of centerline, up to 45' AGL/257' MSL.

Trees and buildings beginning 1529' from DER, 108' right of centerline, up to 70' AGL/282' MSL.

Trees and buildings beginning 1578' from DER, 62' left of centerline, up to 83' AGL/299' MSL.

Trees and poles beginning 1819' from DER, 70' left of centerline, up to 305' MSL.

Trees beginning 1950' from DER, 250' right of centerline, up to 285' MSL.

Tree 2691' from DER, 1096' right of centerline, 59' AGL/288' MSL.

Tree 2782' from DER, 1151' right of centerline, 146' AGL/394' MSL.

Trees beginning 2869' from DER, 787' right of centerline, up to 173' AGL/419' MSL.

Trees beginning 2932' from DER, 761' right of centerline, up to 172' AGL/424' MSL.

Trees beginning 3028' from DER, 671' right of centerline, up to 170' AGL/440' MSL.

Trees beginning 3055' from DER, 982' left of centerline, up to 99' AGL/318' MSL.

Trees, buildings, poles, vegetation, terrain and vehicles on road beginning 3065' from DER, 62' right of centerline, up to 170' AGL/443' MSL.

Tree 3374' from DER, 986' left of centerline, 114' AGL/340' MSL.

Tree 3389' from DER, 1024' left of centerline, 117' AGL/342' MSL.

Trees beginning 3522' from DER, 158' left of centerline, up to 120' AGL/351' MSL.

Tree 4080' from DER, 23' left of centerline, 124' AGL/400' MSL.

Tree 4250' from DER, 52' left of centerline, 113' AGL/409' MSL.

Tree 4364' from DER, 280' left of centerline, 150' AGL/426' MSL.

Trees beginning 4531' from DER, 275' left of centerline, up to 142' AGL/433' MSL.

Trees beginning 4619' from DER, 117' left of centerline, up to 151' AGL/448' MSL.

Trees, terrain and buildings beginning 4840' from DER, 33' right of centerline, up to 123' AGL/461' MSL.

Trees and buildings beginning 5226' from DER, 1083' right of centerline, up to 480' MSL.

Trees, buildings, terrain and fences beginning 5247' from DER, 266' right of centerline, up to 70' AGL/499' MSL.

Tree 1 NM from DER, 369' left of centerline, 117' AGL/458' MSL.

Trees beginning 1 NM from DER, 218' left of centerline, up to 495' MSL.

Trees beginning 1.1 NM from DER, 1867' right of centerline, up to 125' AGL/502' MSL.

Trees beginning 1.1 NM from DER, 350' right of centerline, up to 131' AGL/504' MSL.

Tree 1.2 NM from DER, 1018' left of centerline, 98' AGL/507' MSL.

Trees beginning 1.2 NM from DER, 12' left of centerline, up to 534' MSL.

Tree 1.2 NM from DER, 2154' right of centerline, 126' AGL/512' MSL.

Trees beginning 1.2 NM from DER, 1959' right of centerline, up to 138' AGL/521' MSL.

Tree 1.3 NM from DER, 2530' right of centerline, 129' AGL/522' MSL.

Trees beginning 1.3 NM from DER, 2293' right of centerline, up to 134' AGL/532' MSL.

Tree 1.3 NM from DER, 2374' right of centerline, 136' AGL/538' MSL.

Trees beginning 1.3 NM from DER, 377' right of centerline, up to 557' MSL.

Trees beginning 1.3 NM from DER, 169' right of centerline, up to 569' MSL.

CON'T

TAKEOFF MINIMUMS, (OBSTACLE) DEPARTURE PROCEDURES, AND DIVERSE VECTOR AREA (RADAR VECTORS)

24025

NW-1

TAKEOFF MINIMUMS, (OBSTACLE) DEPARTURE PROCEDURES, AND DIVERSE VECTOR AREA (RADAR VECTORS)

24025

SALEM, OR (CON'T)

MCNARY FLD (SLE) (CON'T)

Rwy 16 (CON'T), tree 1.5 NM from DER, 1192' right of centerline, 110' AGL/564' MSL.
Rwy 31, utility building 1' from DER, 176' right of centerline, 5' AGL/197' MSL.
 Trees beginning 499' from DER, 527' left of centerline, up to 26' AGL/216' MSL.
 Trees beginning 1221' from DER, 29' left of centerline, up to 247' MSL.
 Pole 1543' from DER, 794' right of centerline, 45' AGL/234' MSL.
 Trees beginning 1633' from DER, 482' left of centerline, up to 63' AGL/253' MSL.
 Trees beginning 2046' from DER, 802' left of centerline, up to 268' MSL.
 Tree 2162' from DER, 795' left of centerline, 95' AGL/282' MSL.
 Tree 2988' from DER, 277' right of centerline, 270' MSL.
 Tree 3011' from DER, 1292' right of centerline, 94' AGL/278' MSL.
 Tree 3108' from DER, 1192' right of centerline, 118' AGL/292' MSL.
 Trees beginning 3157' from DER, 769' right of centerline, up to 122' AGL/301' MSL.
Rwy 34, fence 104' from DER, 490' right of centerline, 7' AGL/205' MSL.
 Vehicles on road 340' from DER, 374' right of centerline, 213' MSL.
 Poles, vehicles on road and trees beginning 413' from DER, 73' right of centerline, up to 36' AGL/233' MSL.
 Pole 871' from DER, 95' left of centerline, 27' AGL/221' MSL.
 Trees beginning 1044' from DER, 118' right of centerline, up to 58' AGL/254' MSL.
 Poles and signs beginning 1070' from DER, 63' left of centerline, up to 37' AGL/230' MSL.
 Trees beginning 1307' from DER, 69' right of centerline, up to 70' AGL/265' MSL.
 Light poles 1385' from DER, 132' left of centerline, 42' AGL/235' MSL.
 Pole 1401' from DER, 126' left of centerline, 46' AGL/238' MSL.
 Poles beginning 1545' from DER, 138' left of centerline, up to 46' AGL/239' MSL.
 Trees beginning 1665' from DER, 471' right of centerline, up to 85' AGL/279' MSL.
 Tree 1680' from DER, 907' right of centerline, 87' AGL/283' MSL.
 Trees beginning 1689' from DER, 162' right of centerline, up to 92' AGL/286' MSL.
 Trees beginning 3005' from DER, 650' right of centerline, up to 100' AGL/290' MSL.
 Trees beginning 3120' from DER, 340' right of centerline, up to 106' AGL/293' MSL.
 Trees beginning 3199' from DER, 299' right of centerline, up to 105' AGL/296' MSL.
 Tree 3232' from DER, 66' left of centerline, 100' AGL/286' MSL.
 Tree 3238' from DER, 330' left of centerline, 288' MSL.
 Trees beginning 3239' from DER, 367' left of centerline, up to 104' AGL/292' MSL.

SALMON, ID

LEMHI COUNTY (SMN)

TAKEOFF MINIMUMS AND (OBSTACLE) DEPARTURE PROCEDURES

AMDT 3 31MAR16 (16091) (FAA)

TAKEOFF MINIMUMS:

Rwy 17, NA - Obstacles.

Rwy 35, std. w/min. climb of 500' per NM to 10700, or 5900-3 for climb in visual conditions.

DEPARTURE PROCEDURE:

Rwy 35, climb on heading 355° to 9000, then climbing left turn to 12000 direct LKT VOR/DME before proceeding on course.

VCOA:

Rwy 35, obtain ATC approval for climb in visual conditions when requesting IFR clearance. Climb in visual conditions to cross Lemhi County airport southwest bound at or above 9800, then continue climb on LKT R-042 to cross LKT VOR/DME at or above MEA for route of flight.

TAKEOFF OBSTACLE NOTES:

Rwy 35, tree 104' from DER, 222' left of centerline, 13' AGL/4046' MSL.

Power line 230' from DER, 498' left of centerline, 30' AGL/4060' MSL.

Power line, fence, buildings, vehicles beginning 466' from DER, 394' right of centerline, up to 30' AGL/4104' MSL.

Power line 814' from DER, 562' right of centerline, 30' AGL/4107' MSL.

Rising terrain beginning 4198' from DER, 1373' right of centerline, up to 4187' MSL.

Rising terrain beginning 4859' from DER, 1717' right of centerline, up to 4220' MSL.

Rising terrain beginning 5189' from DER, 1889' right of centerline, up to 4262' MSL.

SANDPOINT, ID

SANDPOINT (SZT)

TAKEOFF MINIMUMS AND (OBSTACLE) DEPARTURE PROCEDURES

AMDT 1 21JUL16 (16203) (FAA)

TAKEOFF MINIMUMS:

Rwy 2, std. w/min. climb of 520' per NM to 5800, or 3000-3 for climb in visual conditions.

Rwy 20, std. w/min. climb of 480' per NM to 4800, or 3000-3 for climb in visual conditions.

DEPARTURE PROCEDURE:

Rwy 2, climbing right turn heading 204° and on COE R-360 to cross COE VOR/DME at or above 9000.

Rwy 20, climbing left turn heading 184° and on COE R-360 to cross COE VOR/DME at or above 9000.

VCOA:

Rwys 2, 20, obtain ATC approval for climb in visual conditions when requesting IFR clearance. Climb in visual conditions to cross Sandpoint airport at or above 5000, then on heading 184° and COE R-360 to cross COE VOR/DME at or above 9000.

CON'T

22 FEB 2024 to 21 MAR 2024

22 FEB 2024 to 21 MAR 2024

TAKEOFF MINIMUMS, (OBSTACLE) DEPARTURE PROCEDURES, AND DIVERSE VECTOR AREA (RADAR VECTORS)

24025

NW-1

TAKEOFF MINIMUMS, (OBSTACLE) DEPARTURE PROCEDURES, AND DIVERSE VECTOR AREA (RADAR VECTORS)

24025

SANDPOINT, ID (CON'T)

SANDPOINT (SZT) (CON'T)

TAKEOFF OBSTACLE NOTES:

- Rwy 2**, building 11' from DER, 448' right of centerline, 37' AGL/2166' MSL.
- Vehicles on road beginning 35' from DER, 328' right of centerline, up to 15' AGL/2135' MSL.
- Trees beginning 59' from DER, 241' right of centerline, up to 82' AGL/2206' MSL.
- Tree beginning 150' from DER, 235' right of centerline, up to 108' AGL/2223' MSL.
- Trees beginning 540' from DER, left and right of centerline, up to 114' AGL/2243' MSL.
- Trees beginning 3334' from DER, left and right of centerline, up to 142' AGL/2270' MSL.
- Building 3655' from DER, 686' left of centerline, 36' AGL/2159' MSL.
- Rwy 20**, trees beginning 621' from DER, 174' left of centerline, up to 100' AGL/2259' MSL.
- Trees beginning 5971' from DER, 2047' right of centerline, up to 100' AGL/2319' MSL.

SARATOGA, WY

SHIVELY FLD (SAA)

TAKEOFF MINIMUMS AND (OBSTACLE) DEPARTURE PROCEDURES

AMDT 1 20APR23 (23110) (FAA)

DEPARTURE PROCEDURE:

- Rwys 5, 23**, use TRUMA (RNAV) DEPARTURE.

TAKEOFF OBSTACLE NOTES:

- Rwy 5**, vehicles on road beginning 82' from DER, 507' left of centerline, up to 6865' MSL.
- Pole 130' from DER, 506' right of centerline, 22' AGL/6880' MSL.
- Vehicles on road beginning 205' from DER, 244' left of centerline, up to 6867' MSL.
- Rwy 23**, terrain 46' from DER, 496' left of centerline, 7019' MSL.
- Terrain beginning 113' from DER, 495' left of centerline, up to 7022' MSL.
- Terrain beginning 176' from DER, 477' left of centerline, up to 7023' MSL.
- Terrain beginning 214' from DER, 465' left of centerline, up to 7024' MSL.
- Terrain beginning 299' from DER, 448' left of centerline, up to 7026' MSL.
- Terrain beginning 342' from DER, 452' left of centerline, up to 7027' MSL.
- Terrain 383' from DER, 494' left of centerline, 7029' MSL.
- Terrain beginning 415' from DER, 461' left of centerline, up to 7030' MSL.
- Terrain beginning 438' from DER, 458' left of centerline, up to 7031' MSL.
- Terrain beginning 485' from DER, 508' left of centerline, up to 7032' MSL.
- Terrain beginning 546' from DER, 476' left of centerline, up to 7034' MSL.
- Terrain beginning 585' from DER, 457' left of centerline, up to 7036' MSL.
- Terrain beginning 627' from DER, 486' left of centerline, up to 7037' MSL.
- Terrain beginning 651' from DER, 462' left of centerline, up to 7038' MSL.
- Terrain 703' from DER, 504' left of centerline, 7039' MSL.
- Terrain beginning 744' from DER, 478' left of centerline, up to 7040' MSL.
- Terrain beginning 781' from DER, 465' left of centerline, up to 7041' MSL.
- Vehicles on road, terrain beginning 956' from DER, 653' left of centerline, up to 7055' MSL.
- Vehicles on road, terrain beginning 990' from DER, 693' left of centerline, up to 7057' MSL.
- Vehicles on road, terrain beginning 1021' from DER, 692' left of centerline, up to 7058' MSL.
- Vehicles on road, fence beginning 1137' from DER, 739' left of centerline, up to 7059' MSL.
- Vehicles on road, fence beginning 1191' from DER, 739' left of centerline, up to 7060' MSL.
- Vehicles on road, fence beginning 1260' from DER, 736' left of centerline, up to 7062' MSL.
- Vehicles on road, terrain beginning 1307' from DER, 722' left of centerline, up to 7064' MSL.
- Vehicles on road, terrain, fence beginning 1345' from DER, 736' left of centerline, up to 7066' MSL.
- Vehicles on road, terrain, fence beginning 1377' from DER, 460' left of centerline, up to 7067' MSL.
- Vehicles on road 1483' from DER, 707' left of centerline, 7069' MSL.
- Vehicles on road 1497' from DER, 757' left of centerline, 7072' MSL.
- Vehicles on road, terrain beginning 1510' from DER, 740' left of centerline, up to 7076' MSL.
- Vehicles on road, terrain beginning 1522' from DER, 792' left of centerline, up to 7078' MSL.
- Vehicles on road 1532' from DER, 865' left of centerline, 7081' MSL.
- Vehicles on road, terrain beginning 1542' from DER, 754' left of centerline, up to 7084' MSL.

SCAPPOOSE, OR

SCAPPOOSE (SPB)

TAKEOFF MINIMUMS AND (OBSTACLE) DEPARTURE PROCEDURES

AMDT 1A 10NOV16 (21168) (FAA)

DEPARTURE PROCEDURE:

- Rwy 15**, climbing left turn direct BTG VORTAC.
- Rwy 33**, climbing right turn direct BTG VORTAC. Aircraft departing BTG R-160 CW R-329 climbing left turn on course. All others climb in BTG VORTAC holding pattern (NW, right turns, 149° inbound) to cross BTG VORTAC at or above MEA/MCA for direction of flight.

TAKEOFF OBSTACLE NOTES:

- Rwy 15**, tree 469' from DER, 499' right of centerline, 131' MSL.
- Tree 619' from DER, 441' right of centerline, 94' MSL.
- Rwy 33**, tree 55' from DER, 428' left of centerline 171' MSL.
- Trees beginning 210' from DER, 404' left of centerline, up to 100' MSL.
- Vehicle on road 346' from DER, 291' left of centerline, 75' MSL.
- Tree 480' from DER, 285' left of centerline, 97' MSL.
- Tree 559' from DER, 579' right of centerline, 133' MSL.

CON'T

TAKEOFF MINIMUMS, (OBSTACLE) DEPARTURE PROCEDURES, AND DIVERSE VECTOR AREA (RADAR VECTORS)

24025

TAKEOFF MINIMUMS, (OBSTACLE) DEPARTURE PROCEDURES, AND DIVERSE VECTOR AREA (RADAR VECTORS)

24025

SCAPPOOSE, OR (CON'T)

SCAPPOOSE (SPB) (CON'T)

Rwy 33 (CON'T), tree 1021' from DER, 663' left of centerline, 124' MSL.
Trees beginning 1662' from DER, 335' right of centerline, up to 175' MSL.

DIVERSE VECTOR AREA (RADAR VECTORS)

ORIG 28MAY15 (15148) (FAA)

Rwys 15, 33, heading as assigned by ATC; requires min. climb of 280' per NM to 4200.

SCOBEY, MT

SCOBEY (9S2)

TAKEOFF MINIMUMS AND (OBSTACLE) DEPARTURE PROCEDURES

AMDT 1 06MAR14 (14065) (FAA)

TAKEOFF MINIMUMS:

Rwy 12, 300-1½' or std. w/ min. climb of 253' per NM to 2700, or alternatively, with std. takeoff minimums and a normal 200' per NM climb gradient, takeoff must occur no later than 2100' prior to DER.

DEPARTURE PROCEDURE:

Rwy 12, climb heading 122° to 3200 before turning left.

TAKEOFF OBSTACLE NOTES:

Rwy 12, pole 11' from DER, 338' left of centerline, 14' AGL/2448' MSL.

Light 12' from DER, 26' right of centerline, 2' AGL/2436' MSL.

Tree 79' from DER, 444' left of centerline, 23' AGL/2453' MSL.

Terrain beginning 81' from DER, 338' right of centerline, 2438' MSL.

Vehicles on road beginning 178' from DER, 116' left of centerline, up to 15' AGL/2452' MSL.

Vehicles on road beginning 318' from DER, 15' right of centerline, up to 15' AGL/2452' MSL.

Building, grain silo and water tower beginning 4734' from DER, 135' right of centerline, up to 127' AGL/2626' MSL.

Rwy 30, light 9' from DER, 27' left of centerline, 2' AGL/2392' MSL.

Light 9' from DER, 27' right of centerline, 2' AGL/2392' MSL.

Multiple trees beginning 219' from DER, 166' left of centerline, up to 16' AGL/2406' MSL.

SEATTLE, WA

BOEING FLD/KING COUNTY INTL (BFI)

TAKEOFF MINIMUMS AND (OBSTACLE) DEPARTURE PROCEDURES

AMDT 8 14SEP17 (21112)

TAKEOFF MINIMUMS:

Rwy 14L, 500-2¼' w/min. climb of 270' per NM to 700 or std. w/min. climb of 708' per NM to 500 or 1000-2½' for VCOA.

Rwy 14R, 500-2 w/min. climb of 315' per NM to 700 or std. w/min. climb of 500' per NM to 600 or 1000-2½' for VCOA.

Rwy 32L, 400-1½' w/min. climb of 235' per NM to 800 or std. w/min. climb of 425' per NM to 500 or 1000-2½' for VCOA.

Rwy 32R, 400-2 w/min. climb of 230' per NM to 800 or std. w/min. climb of 345' per NM to 500 or 1000-2½' for VCOA.

DEPARTURE PROCEDURE:

Rwy 14L, climbing right turn thence...

Rwy 14R, climbing right turn thence...

Rwy 32L, climbing left turn thence...

Rwy 32R, climbing left turn thence...

...all aircraft climb direct to SEA VORTAC, continue climb in SEA VORTAC holding pattern (hold east, left turns, 290° inbound) to cross SEA VORTAC at or above 3000 before proceeding on course.

VCOA:

All runways, obtain ATC approval for VCOA when requesting IFR clearance. Climb in visual conditions to cross Boeing Fld/ King County Intl airport at or above 900, then climb to 3000 via SEA R-344 to SEA VORTAC, continue climb in SEA VORTAC holding pattern (hold east, left turns, 290° inbound) to cross SEA VORTAC at or above 3000 before proceeding on course.

TAKEOFF OBSTACLE NOTES:

Rwy 14L, sign 76' from DER, 135' left of centerline, 3' AGL/20' MSL.

Building 403' from DER, 411' left of centerline, 14' AGL/32' MSL.

Building 403' from DER, 491' left of centerline, 35' MSL.

Building 622' from DER, 526' left of centerline, 34' AGL/51' MSL.

Buildings beginning 647' from DER, 473' left of centerline, up to 54' MSL.

Tree 1052' from DER, 688' left of centerline, 56' MSL.

Transmission towers and buildings beginning 1147' from DER, 426' left of centerline, up to 63' MSL.

Tower and transmission tower beginning 1545' from DER, 658' left of centerline, up to 50' AGL/72' MSL.

Poles, tower and trees beginning 1784' from DER, 714' left of centerline, up to 103' MSL.

Tree 2591' from DER, 1156' left of centerline, 141' MSL.

Tree 2701' from DER, 1134' left of centerline, 143' MSL.

Tree 2730' from DER, 1030' left of centerline, 157' MSL.

Trees beginning 2820' from DER, 646' left of centerline, up to 192' MSL.

Tree 2931' from DER, 1162' left of centerline, 201' MSL.

Trees beginning 2967' from DER, 619' left of centerline, up to 226' MSL.

Trees beginning 3060' from DER, 914' left of centerline, up to 235' MSL.

Trees beginning 3100' from DER, 553' left of centerline, up to 266' MSL.

Trees beginning 3259' from DER, 906' left of centerline, up to 277' MSL.

Trees beginning 3332' from DER, 732' left of centerline, up to 302' MSL.

Trees, transmission towers and buildings beginning 3675' from DER, 384' left of centerline, up to 116' AGL/342' MSL.

Trees, transmission towers and buildings beginning 4032' from DER, 296' left of centerline, up to 103' AGL/356' MSL.

CON'T

TAKEOFF MINIMUMS, (OBSTACLE) DEPARTURE PROCEDURES, AND DIVERSE VECTOR AREA (RADAR VECTORS)

24025

NW-1

TAKEOFF MINIMUMS, (OBSTACLE) DEPARTURE PROCEDURES, AND DIVERSE VECTOR AREA (RADAR VECTORS)

24025

SEATTLE, WA (CON'T)

BOEING FLD/KING COUNTY INTL (BFI) (CON'T)

Rwy 14L (CON'T), trees, buildings, transmission towers, ground and roads beginning 4538' from DER, 380' left of centerline, up to 110' AGL/365' MSL.
Transmission tower and trees beginning 1.6 NM from DER, 1787' left of centerline, up to 135' AGL/382' MSL.
Trees, towers, electric transmission lines and buildings beginning 1.7 NM from DER, 936' left of centerline, up to 438' MSL.
Trees, transmission towers, buildings, electric transmission line, roads and ground beginning 1.9 NM from DER, 888' left of centerline, up to 478' MSL.
Trees, buildings, towers, fences, roads, ground, parking lots, electric transmission lines and poles beginning 2 NM from DER, 638' left of centerline, up to 531' MSL.
Rwy 14R, railroad 50' from DER, 453' left of centerline, 46' MSL.
Railroad, tree and road beginning 128' from DER, 277' left of centerline, up to 47' MSL.
Lt pole 202' from DER, 539' right of centerline, 64' MSL.
Signs, railroads, roads and trees beginning 263' from DER, 280' left of centerline, up to 98' MSL.
Poles, OL DME, NAVAID and trees beginning 411' from DER, 283' right of centerline, up to 66' MSL.
Trees, railroads and road beginning 793' from DER, 240' left of centerline, up to 61' AGL/116' MSL.
Trees, roads, railroads, poles, sign, electric system, towers and electric transmission lines beginning 891' from DER, 142' left of centerline, up to 113' AGL/129' MSL.
Trees, building and poles beginning 1123' from DER, 2' right of centerline, up to 87' MSL.
Transmission towers beginning 2880' from DER, 90' right of centerline, up to 74' AGL/94' MSL.
Transmission tower 3138' from DER, 1305' right of centerline, 100' MSL.
Trees beginning 3181' from DER, 344' right of centerline, up to 91' AGL/106' MSL.
Pole 3278' from DER, 1292' right of centerline, 111' MSL.
Electric transmission line 3363' from DER, 1389' right of centerline, 121' MSL.
Electric transmission lines and trees beginning 3373' from DER, 597' right of centerline, up to 124' MSL.
Electric transmission line and trees beginning 3511' from DER, 278' right of centerline, up to 125' MSL.
Trees beginning 3574' from DER, 710' right of centerline, up to 132' MSL.
Tree 3658' from DER, 486' right of centerline, 139' MSL.
Trees beginning 3680' from DER, 724' right of centerline, up to 146' MSL.
Trees and transmission tower beginning 3710' from DER, 270' right of centerline, up to 155' MSL.
Trees and poles beginning 3894' from DER, 773' right of centerline, up to 183' MSL.
Trees, electric transmission lines, antenna and towers beginning 4017' from DER, 16' right of centerline, up to 88' AGL/195' MSL.
Trees beginning 4142' from DER, 11' left of centerline, up to 137' MSL.
trees beginning 4429' from DER, 4' left of centerline, up to 130' AGL/149' MSL.
Tree 4671' from DER, 31' left of centerline, 130' AGL/153' MSL.
Trees beginning 4694' from DER, 1172' left of centerline, up to 167' MSL.
Trees beginning 4807' from DER, 1051' left of centerline, up to 193' MSL.
Trees beginning 4978' from DER, 828' left of centerline, up to 202' MSL.
Trees beginning 5257' from DER, 825' left of centerline, up to 212' MSL.
Trees beginning 5405' from DER, 773' left of centerline, up to 221' MSL.
Trees beginning 5519' from DER, 684' left of centerline, up to 229' MSL.
Trees and electric transmission line beginning 5636' from DER, 75' left of centerline, up to 234' MSL.
Trees, towers and electric transmission lines beginning 5685' from DER, 168' left of centerline, up to 247' MSL.
Trees beginning 5697' from DER, 477' right of centerline, up to 95' AGL/217' MSL.
Electric transmission lines, trees and towers beginning 5832' from DER, 421' left of centerline, up to 360' MSL.
Trees and transmission tower beginning 1 NM from DER, 719' left of centerline, up to 399' MSL.
Trees, ground, buildings, electric transmission line, transmission towers, roads and fence beginning 1.1 NM from DER, 970' left of centerline, up to 437' MSL.
Trees, transmission towers, roads, buildings, fences, ground, parking lots, electric transmission line, poles and antenna beginning 1.3 NM from DER, 948' left of centerline, up to 116' AGL/506' MSL.
Trees beginning 2 NM from DER, 2647' left of centerline, up to 523' MSL.
Trees beginning 2.1 NM from DER, 2225' left of centerline, up to 543' MSL.
Trees beginning 2.3 NM from DER, 2603' left of centerline, up to 553' MSL.
Rwy 32L, fence 249' from DER, 452' left of centerline, 26' MSL.
Building 1022' from DER, 728' left of centerline, 50' MSL.
Light pole 1111' from DER, 683' right of centerline, 50' MSL.
Trees and light pole beginning 1166' from DER, 768' right of centerline, up to 60' MSL.
Poles, buildings and trees beginning 1216' from DER, 571' left of centerline, up to 101' MSL.
Transmission towers beginning 1598' from DER, 790' right of centerline, up to 68' MSL.
Tree 2192' from DER, 403' right of centerline, 54' AGL/81' MSL.
Building and tree beginning 2286' from DER, 385' right of centerline, up to 85' MSL.
Trees beginning 2407' from DER, 261' left of centerline, up to 91' AGL/113' MSL.
Transmission tower and tree beginning 2413' from DER, 350' right of centerline, up to 97' MSL.
Trees and poles beginning 2468' from DER, 440' right of centerline, up to 114' MSL.
Tree 2640' from DER, 1143' right of centerline, 127' MSL.
Trees and poles beginning 2717' from DER, 875' right of centerline, up to 129' MSL.
Trees, towers and light poles beginning 3080' from DER, 431' right of centerline, up to 140' MSL.
Tree 3316' from DER, 1366' right of centerline, 148' MSL.
Trees beginning 3358' from DER, 821' right of centerline, up to 157' MSL.
Trees and poles beginning 3449' from DER, 894' right of centerline, up to 158' MSL.
Trees beginning 3606' from DER, 787' right of centerline, up to 180' MSL.
Buildings, trees, poles and stacks beginning 3711' from DER, 543' right of centerline, up to 196' MSL.
Buildings, trees and light pole beginning 3979' from DER, 883' right of centerline, up to 216' MSL.

CON'T

22 FEB 2024 to 21 MAR 2024

22 FEB 2024 to 21 MAR 2024

TAKEOFF MINIMUMS, (OBSTACLE) DEPARTURE PROCEDURES, AND DIVERSE VECTOR AREA (RADAR VECTORS)

24025

NW-1

TAKEOFF MINIMUMS, (OBSTACLE) DEPARTURE PROCEDURES, AND DIVERSE VECTOR AREA (RADAR VECTORS)

24025

SEATTLE, WA (CON'T)

BOEING FLD/KING COUNTY INTL (BFI) (CON'T)

Rwy 32L (CON'T), trees, buildings, light poles, transmission towers, antenna, parking lot and ground beginning 4213' from DER, 706' right of centerline, up to 241' MSL.

Trees, buildings, transmission towers and light poles beginning 5403' from DER, 764' right of centerline, up to 248' MSL.

Trees, buildings, transmission towers, light poles and ground beginning 1 NM from DER, 851' right of centerline, up to 260' MSL.

Trees, ground, transmission tower and poles beginning 1.1 NM from DER, 1141' right of centerline, up to 282' MSL.

Trees, light pole, buildings, transmission towers, electric transmission lines and roads beginning 1.2 NM from DER, 1307' right of centerline, up to 345' MSL.

Rwy 32R, ground 14' from DER, 29' right of centerline, 18' MSL.

Buildings beginning 160' from DER, 488' right of centerline, up to 37' AGL/56' MSL.

Pole 214' from DER, 126' left of centerline, 12' AGL/28' MSL.

Pole, AWOS, RVR, GS and tower beginning 461' from DER, 68' left of centerline, up to 34' AGL/51' MSL.

Buildings beginning 719' from DER, 459' right of centerline, up to 61' MSL.

Trees, buildings, transmission towers, light pole and railroad beginning 808' from DER, 404' right of centerline, up to 73' MSL.

Buildings and transmission towers beginning 1425' from DER, 513' right of centerline, up to 61' AGL/81' MSL.

Antenna, transmission towers and tree beginning 1831' from DER, 557' right of centerline, up to 108' MSL.

Poles, buildings and tree beginning 2493' from DER, 948' left of centerline, up to 101' MSL.

Light pole 3032' from DER, 1207' right of centerline, 114' MSL.

Trees and light pole beginning 3238' from DER, 1118' right of centerline, up to 155' MSL.

Trees, buildings, transmission towers and light poles beginning 3352' from DER, 585' right of centerline, up to 168' MSL.

Tree 3684' from DER, 947' left of centerline, 91' AGL/113' MSL.

Trees, transmission towers, buildings and poles beginning 4585' from DER, 835' right of centerline, up to 202' MSL.

Trees, light pole, buildings and transmission towers beginning 5166' from DER, 919' right of centerline, up to 229' MSL.

Trees, buildings and transmission towers beginning 5490' from DER, 1039' right of centerline, up to 241' MSL.

Trees, buildings, transmission towers and fence beginning 1 NM from DER, 738' right of centerline, up to 263' MSL.

Trees, buildings, transmission towers and ground beginning 1.1 NM from DER, 795' right of centerline, up to 300' MSL.

Trees, buildings and transmission towers beginning 1.2 NM from DER, 1042' right of centerline, up to 320' MSL.

Towers, buildings, trees, electric transmission lines, light pole beginning 1.3 NM from DER, 1027' right of centerline, up to 376' MSL.

SEATTLE-TACOMA INTL (SEA)

TAKEOFF MINIMUMS AND (OBSTACLE) DEPARTURE PROCEDURES

AMDT 4B 13SEP18 (18256) (FAA)

TAKEOFF MINIMUMS:

Rwy 16L, 300-1 or std. w/min. climb of 425' per NM to 600.

Rwy 16R, 300-1¼ or std. w/min. climb of 215' per NM to 600.

DEPARTURE PROCEDURE:

Rwys 16L, 16C, 16R, climb to 1000 on heading 164°, then climbing right turn direct SEA VORTAC, thence . . .

Rwys 34L, 34C, 34R, climb to 1000 on heading 344°, then climbing left turn direct SEA VORTAC, thence . . .

. . . climb in SEA VORTAC holding pattern (hold southeast, left turns, 310° inbound) to MEA/MCA for route of flight.

TAKEOFF OBSTACLE NOTES:

Rwy 16L, tree 48' from DER, 483' right of centerline, 372' MSL.

Lighting 85' from DER, 287' left of centerline, 3' AGL/349' MSL.

Tree 193' from DER, 510' right of centerline, 378' MSL.

Tree 2567' from DER, 357' right of centerline, 415' MSL.

Trees beginning 2602' from DER, 365' right of centerline, up to 416' MSL.

Tree 2663' from DER, 1144' right of centerline, 449' MSL.

Tree 2779' from DER, 1135' right of centerline, 456' MSL.

Trees beginning 2785' from DER, 1003' right of centerline, up to 472' MSL.

Trees beginning 2806' from DER, 1022' right of centerline, up to 481' MSL.

Trees beginning 2880' from DER, 1036' right of centerline, up to 499' MSL.

Rwy 16C, vertical point 132' from DER, 255' left of centerline, 6' AGL/368' MSL.

Tree 4477' from DER, 550' right of centerline, 476' MSL.

Tree 4598' from DER, 415' right of centerline, 478' MSL.

Tree 4657' from DER, 1183' right of centerline, 483' MSL.

Tree 4714' from DER, 1250' right of centerline, 488' MSL.

Tree 4784' from DER, 961' right of centerline, 503' MSL.

Trees beginning 4804' from DER, 1069' right of centerline, up to 506' MSL.

Trees beginning 4838' from DER, 445' right of centerline, up to 509' MSL.

Rwy 16R, tree 8' from DER, 497' right of centerline, 369' MSL.

Lighting 10' from DER, 5' left of centerline, 1' AGL/357' MSL.

Sign 62' from DER, 286' left of centerline, 3' AGL/359' MSL.

Building 488' from DER, 604' left of centerline, 24' AGL/384' MSL.

Tree 1137' from DER, 586' right of centerline, 398' MSL.

Tree 1271' from DER, 689' right of centerline, 414' MSL.

Tree 1634' from DER, 932' right of centerline, 427' MSL.

Tree, transmission line beginning 3124' from DER, 718' right of centerline, up to 468' MSL.

Tree 5709' from DER, 738' left of centerline, 503' MSL.

Trees beginning 5729' from DER, 487' left of centerline, up to 506' MSL.

Trees beginning 5763' from DER, 440' left of centerline, up to 509' MSL.

Rwy 34L, lighting 10' from DER, 5' right of centerline, 1' AGL/416' MSL.

Tree 4009' from DER, 1367' left of centerline, 521' MSL.

CON'T

TAKEOFF MINIMUMS, (OBSTACLE) DEPARTURE PROCEDURES, AND DIVERSE VECTOR AREA (RADAR VECTORS)

24025

NW-1

22 FEB 2024 to 21 MAR 2024

22 FEB 2024 to 21 MAR 2024

TAKEOFF MINIMUMS, (OBSTACLE) DEPARTURE PROCEDURES, AND DIVERSE VECTOR AREA (RADAR VECTORS)

24025

SEATTLE, WA (CON'T)

SEATTLE-TACOMA INTL (SEA) (CON'T)

Rwy 34L (CON'T), trees beginning 4129' from DER, 857' left of centerline, up to 528' MSL.

Tree 4315' from DER, 989' left of centerline, 537' MSL.

Rwy 34C, lighting 5' from DER, 5' left of centerline, 1' AGL/430' MSL.

Pole 129' from DER, 282' right of centerline, 6' AGL/434' MSL.

Rwy 34R, lighting 9' from DER, 4' left of centerline, 1' AGL/434' MSL.

Lighting 53' from DER, 139' right of centerline, 4' AGL/436' MSL.

Sign 92' from DER, 277' right of centerline, 4' AGL/437' MSL.

Tree 2933' from DER, 918' right of centerline, 506' MSL.

Trees beginning 3031' from DER, 781' right of centerline, up to 534' MSL.

Tree 3798' from DER, 1434' right of centerline, 565' MSL.

DIVERSE VECTOR AREA (RADAR VECTORS)

AMDT 1 13SEP18 (18256) (FAA)

Rwy 16L, heading as assigned by ATC; requires min. climb of 425' per NM to 600.

Rwy 16R, heading as assigned by ATC; requires min. climb of 215' per NM to 600.

Rwys 16C, 34L/C/R, heading as assigned by ATC.

SHELBY, MT

SHELBY (SBX)

TAKEOFF MINIMUMS AND (OBSTACLE) DEPARTURE PROCEDURES

ORIG 15MAR07 (07074) (FAA)

TAKEOFF MINIMUMS:

Rwy 5, 200-1¼ or std. w/ min. climb of 212' per NM to 3700, or alternatively, w/ std. takeoff minimums and a normal 200'/NM climb gradient, takeoff must occur no later than 1300' prior to DER.

TAKEOFF OBSTACLE NOTES:

Rwy 5, fence post 320' from DER, 162' right of centerline, 12' AGL/3455' MSL.

Truck on road beginning 515' from DER, 632' right of centerline, 17' AGL/3498' MSL.

Tree 1 NM from DER, 1242' left of centerline, 75' AGL/3604' MSL.

Rwy 11, truck on road 906' from DER, 691' left of centerline, 17' AGL/3456' MSL.

Tree 1697' from DER, 26' right of centerline, 75' AGL/3495' MSL.

Tree 1561' from DER, 322' left of centerline, 75' AGL/3514' MSL.

Light standard 852' from DER, 174' left of centerline, 22' AGL/3451' MSL.

SHELTON, WA

SANDERSON FLD (SHN)

TAKEOFF MINIMUMS AND (OBSTACLE) DEPARTURE PROCEDURES

AMDT 4 28SEP06 (22083) (FAA)

TAKEOFF MINIMUMS:

Rwy 5, std. w/min. climb of 312' per NM to 4000, or 1500-2½ for a climb in visual conditions.

Rwy 23, std. w/min. climb of 414' per NM to 4000, or 1500-2½ for a climb in visual conditions.

DEPARTURE PROCEDURE:

Rwy 5, climbing right turn to intercept SEA R-230 to CARRO intersection. Or for climb in visual conditions: cross Sanderson Fld northeast bound at or above 1600, thence via SEA R-230 to cross CARRO intersection at or above 4000. **Rwy 23**, climbing left turn to intercept SEA R-230 to CARRO intersection. Or for climb in visual conditions: cross Sanderson Fld northeast bound at or above 1600, thence via SEA R-230 to cross CARRO intersection at or above 4000.

TAKEOFF OBSTACLE NOTES:

Rwy 5, multiple trees beginning 550' from DER, 107' left of centerline, up to 94' AGL/366' MSL.

Multiple trees beginning 130' from DER, 70' right of centerline, up to 80' AGL/352' MSL.

Rwy 23, multiple trees beginning 52' from DER, 149' left of centerline, up to 72' AGL/330' MSL.

Multiple trees beginning 886' from DER, 153' right of centerline, up to 155' AGL/486' MSL.

SHERIDAN, WY

SHERIDAN COUNTY (SHR)

TAKEOFF MINIMUMS AND (OBSTACLE) DEPARTURE PROCEDURES

AMDT 4A 15AUG19 (19227) (FAA)

TAKEOFF MINIMUMS:

Rwy 6, std. w/min. climb of 270' per NM to 5000 or 1400-3 for VCOA.

Rwy 15, std. w/min. climb of 265' per NM to 5100 or 1400-3 for VCOA.

Rwy 24, std. w/min. climb of 370' per NM to 5200 or 1400-3 for VCOA.

DEPARTURE PROCEDURE:

Rwy 6, climbing left turn to intercept SHR R-109 to SHR VOR/DME, thence...

Rwy 15, climbing left turn heading 330° to intercept SHR R-109 to SHR VOR/DME, thence...

Rwy 24, climbing right turn to intercept SHR R-156 to SHR VOR/DME, thence...

Rwy 33, climb heading 326° to intercept SHR R-109 to SHR VOR/DME, thence...

...continue climb in SHR VOR/DME holding pattern (hold northwest, left turns, 136° inbound) to cross SHR VOR/DME at or above MEA for direction of flight before proceeding on course.

CON'T

TAKEOFF MINIMUMS, (OBSTACLE) DEPARTURE PROCEDURES, AND DIVERSE VECTOR AREA (RADAR VECTORS)

24025

NW-1

TAKEOFF MINIMUMS, (OBSTACLE) DEPARTURE PROCEDURES, AND DIVERSE VECTOR AREA (RADAR VECTORS)

24025

SHERIDAN, WY (CON'T)

SHERIDAN COUNTY (SHR) (CON'T)

VCOA:

Rwys 6, 15, 24, obtain ATC approval for climb in visual conditions when requesting IFR clearance. Climb in visual conditions to cross Sheridan County airport at or above 5300, then proceed on SHR R-132 to SHR VOR/DME. Continue climb in SHR VOR/DME holding pattern (hold northeast, left turns, 136° inbound) to cross SHR VOR/DME at or above MEA for direction of flight before proceeding on course.

TAKEOFF OBSTACLE NOTES:

Rwy 6, elec sys 10' from DER, 17' left of centerline, 6' AGL/3941 MSL.

Sign 38' from DER, 350' right of centerline, 7' AGL/3943' MSL.

Multiple trees and buildings beginning 92' from DER, 213' left of centerline, up to 80' AGL/3993' MSL.

Rwy 15, lighting 10' from DER, 5' right of centerline, 1' AGL/3976' MSL.

Lighting 10' from DER, 5' left of centerline, 1' AGL/3976' MSL.

Rwy 24, rising terrain beginning 17' from DER up to 4445' MSL.

Trees, towers, road, poles, NAVAID and bushes beginning 41' from DER up to 65' AGL/4286' MSL.

Fence beginning 74' from DER, 497' left and 594' right of centerline, up to 10' AGL/4060' MSL.

Power lines beginning 4393' from DER, 1531' left of centerline, up to 67' AGL/4286' MSL.

Rwy 33, lighting beginning 10' from DER, 30' left of centerline, up to 3' AGL/4016' MSL.

Electrical system, vertical point beginning 52' from DER, 397' right of centerline, up to 14' AGL/4020' MSL.

SIDNEY, MT

SIDNEY-RICHLAND RGNL (SDY)

TAKEOFF MINIMUMS AND (OBSTACLE) DEPARTURE PROCEDURES

AMDT 6 17AUG17 (17229) (FAA)

TAKEOFF MINIMUMS:

Rwy 29, 300-2¼ or std. w/min. climb of 330' per NM to 2300.

DEPARTURE PROCEDURE:

Rwy 11, climb heading 108° to 2700 before turning right.

Rwy 29, climb heading 288° to 2800 before turning left.

TAKEOFF OBSTACLE NOTES:

Rwy 1, Rwy light, NAVAID beginning 9' from DER, 39' right of centerline, up to 1983' MSL.

Tree 86' from DER, 358' left of centerline, 2004' MSL.

Tree 145' from DER, 376' right of centerline, 2039' MSL.

Tree 171' from DER, 538' left of centerline, 2019' MSL.

Trees beginning 188' from DER, 90' right of centerline, up to 2040' MSL.

Tree 193' from DER, 470' left of centerline, 2026' MSL.

Tree, vehicle on road beginning 304' from DER, 99' left of centerline, up to 2037' MSL.

Tree 640' from DER, 585' left of centerline, 2038' MSL.

Tree, ground beginning 763' from DER, 123' left of centerline, up to 2049' MSL.

Trees beginning 1094' from DER, 137' right of centerline, up to 2041' MSL.

Trees beginning 1218' from DER, 269' right of centerline, up to 2044' MSL.

Trees beginning 1313' from DER, 270' right of centerline, up to 2052' MSL.

Trees beginning 1341' from DER, 1' right of centerline, up to 2053' MSL.

Trees beginning 1410' from DER, 10' left of centerline, up to 2051' MSL.

Trees beginning 1708' from DER, 11' left of centerline, up to 2080' MSL.

Rwy 11, terrain+vegetation, vehicle on road, tree beginning 50' from DER, 38' right of centerline, up to 40' AGL/1996' MSL.

Tree 86' from DER, 310' left of centerline, 1977' MSL.

Terrain+vegetation, vehicle on road beginning 94' from DER, 19' left of centerline, up to 40' AGL/1996' MSL.

Tree terrain+vegetation beginning 809' from DER, 123' right of centerline, up to 2020' MSL.

Trees beginning 2102' from DER, 161' right of centerline, up to 2035' MSL.

Rwy 19, NAVAID 18' from DER, 125' right of centerline, 2' AGL/1984' MSL.

Vehicle on road 19' from DER, 336' right of centerline, 1997' MSL.

Rwy 29, NAVAID beginning 7' from DER, 41' left of centerline, up to 1983' MSL.

Fence, NAVAID beginning 26' from DER, 124' right of centerline, up to 7' AGL/1984' MSL.

Trees beginning 55' from DER, 195' right of centerline, up to 1997' MSL.

Tree, fence, bush beginning 146' from DER, 178' right of centerline, up to 2012' MSL.

Ground beginning 155' from DER, 400' left of centerline, up to 1989' MSL.

Tree, vehicle on road beginning 193' from DER, 9' right of centerline, up to 2023' MSL.

Trees beginning 400' from DER, 28' left of centerline, up to 1998' MSL.

Tree, vehicle on road beginning 516' from DER, 6' left of centerline, up to 2000' MSL.

Trees beginning 590' from DER, 8' right of centerline, up to 2026' MSL.

Tree 611' from DER, 91' left of centerline, 2001' MSL.

Trees beginning 651' from DER, 36' left of centerline, up to 2006' MSL.

Trees beginning 677' from DER, 2' right of centerline, up to 2039' MSL.

Trees beginning 891' from DER, 60' left of centerline, up to 2007' MSL.

Ground, tree beginning 942' from DER, 0' of centerline, up to 2052' MSL.

Tree 953' from DER, 76' left of centerline, 2008' MSL.

Tree 999' from DER, 120' left of centerline, 2010' MSL.

Trees beginning 1076' from DER, 122' left of centerline, up to 2012' MSL.

Pole, tree beginning 1166' from DER, 12' left of centerline, up to 30' AGL/2021' MSL.

Ground, tree beginning 1184' from DER, 4' right of centerline, up to 2054' MSL.

Ground 1389' from DER, 847' right of centerline, 2067' MSL.

Ground 1396' from DER, 814' left of centerline, 2023' MSL.

Oil pump 1438' from DER, 211' left of centerline, 36' AGL/2027' MSL.

CON'T

TAKEOFF MINIMUMS, (OBSTACLE) DEPARTURE PROCEDURES, AND DIVERSE VECTOR AREA (RADAR VECTORS)

24025

NW-1

TAKEOFF MINIMUMS, (OBSTACLE) DEPARTURE PROCEDURES, AND DIVERSE VECTOR AREA (RADAR VECTORS)

24025

SIDNEY, MT (CON'T)

SIDNEY-RICHLAND RGNL (SDY) (CON'T)

Rwy 29 (CON'T), pole, tree beginning 1517' from DER, 710' right of centerline, up to 34' AGL/2104' MSL.
 Ground beginning 1540' from DER, 603' left of centerline, up to 2051' MSL.
 Pole, tree beginning 1786' from DER, 720' left of centerline, up to 19' AGL/2104' MSL.
 Tree, ground, pole, catenary, fence beginning 1865' from DER, 39' right of centerline, up to 2120' MSL.
 Ground beginning 1919' from DER, 858' left of centerline, up to 2107' MSL.
 Ground, tree beginning 2536' from DER, 18' left of centerline, up to 2108' MSL.
 Transmission tower, ground, tree beginning 3107' from DER, 1037' left of centerline, up to 43' AGL/2132' MSL.
 Pole, ground, tree beginning 4435' from DER, 494' right of centerline, up to 30' AGL/2133' MSL.
 Catenary, ground beginning 5121' from DER, 1729' right of centerline, up to 33' AGL/2159' MSL.
 Pole, ground beginning 5227' from DER, 1469' right of centerline, up to 55' AGL/2180' MSL.
 Pole, transmission tower, ground, vehicle on road, fence beginning 5280' from DER, 1205' right of centerline, up to 60' AGL/2186' MSL.
 Ground beginning 5280' from DER, 1255' left of centerline, up to 2135' MSL.
 Ground beginning 5544' from DER, 1382' left of centerline, up to 2142' MSL.
 Ground beginning 1.1 NM from DER, 2019' left of centerline, up to 2158' MSL.
 Tree 1.1 NM from DER, 1644' left of centerline, 2163' MSL.
 Ground, tree beginning 1.1 NM from DER, 1976' left of centerline, up to 2162' MSL.
 Tree 1.2 NM from DER, 1747' left of centerline, 2166' MSL.
 Ground 1.2 NM from DER, 2280' left of centerline, 2171' MSL.
 Ground 1.3 NM from DER, 2458' left of centerline, 2184' MSL.
 Ground beginning 1.3 NM from DER, 2355' left of centerline, up to 2197' MSL.
 Ground, fence beginning 1.4 NM from DER, 2126' left of centerline, up to 2204' MSL.
 Ground beginning 1.4 NM from DER, 2625' left of centerline, up to 2206' MSL.
 Ground 1.5 NM from DER, 2775' left of centerline, 2212' MSL.
 Ground 1.5 NM from DER, 2909' left of centerline, 2216' MSL.
 Fence 1.8 NM from DER, 3160' left of centerline, 3' AGL/2263' MSL.
 Ground 1.8 NM from DER, 3123' left of centerline, 2261' MSL.

SNOHOMISH, WA

HARVEY FLD (S43)

TAKEOFF MINIMUMS AND (OBSTACLE) DEPARTURE PROCEDURES

AMDT 1A 02MAY13 (22083) (FAA)

TAKEOFF MINIMUMS:

Rwys 15R, 33L, NA-Obstacles.

Rwy 15L, std. w/min. climb of 355' per NM to 1100, or 1200-2½ for climb in visual conditions.

Rwy 33R, std. w/min. climb of 480' per NM to 800, or 1200-2½ for climb in visual conditions.

DEPARTURE PROCEDURE:

Rwy 15L, climbing right turn on 344° course to WATON LOM, or for climb in visual conditions, cross Harvey Fld at or above 1100 then proceed on 332° course to WATON LOM, thence ...

Rwy 33R, climb on 332° course to WATON LOM, or for climb in visual conditions, cross Harvey Fld at or above 1100 then proceed on 332° course to WATON LOM, thence ...

... aircraft departing WATON LOM on bearings 150° CW 340° from WATON LOM climb on course. Aircraft departing WATON LOM on bearings 340° CW 150° from WATON LOM, climb in holding pattern (South, left turns, 342° inbound) to cross WATON LOM at or above 4500 before proceeding on course.

TAKEOFF OBSTACLE NOTES:

Rwy 15L, fence 37' from DER, left and right of centerline, 10' AGL/32' MSL.

Vehicles on roadway 44' from DER, left and right of centerline, 15' AGL/37' MSL.

Tree 81' from DER, 177' right of centerline, 83' AGL/106' MSL.

Trees 685' from DER, left and right of centerline, up to 48' AGL/70' MSL.

Rwy 33R, power line beginning 32' from DER, left and right of centerline, 22' AGL/38' MSL.

Power line 131' from DER, left and right of centerline, 47' AGL/63' MSL.

Tower 5708' from DER, 1956' right of centerline, 207' AGL/301' MSL.

Tower 1 NM from DER, 2033' right of centerline, 212' AGL/264' MSL.

SPOKANE, WA

FELTS FLD (SFF)

TAKEOFF MINIMUMS AND (OBSTACLE) DEPARTURE PROCEDURES

AMDT 7 15JUN23 (23166) (FAA)

DEPARTURE PROCEDURE:

Use MANITO DEPARTURE.

TAKEOFF OBSTACLE NOTES:

Rwy 4L, light poles beginning 10' from DER, 77' right of centerline, up to 2' AGL/1959' MSL.

Sign 33' from DER, 168' left of centerline, 5' AGL/1962' MSL.

Building 1152' from DER, 757' right of centerline, 33' AGL/1987' MSL.

Tree 1568' from DER, 902' right of centerline, 62' AGL/2016' MSL.

Tree 1732' from DER, 862' right of centerline, 72' AGL/2026' MSL.

Trees beginning 1844' from DER, 586' right of centerline, up to 91' AGL/2045' MSL.

Trees beginning 2290' from DER, 373' right of centerline, up to 113' AGL/2064' MSL.

Tree 3763' from DER, 1368' left of centerline, 92' AGL/2061' MSL.

Trees beginning 4128' from DER, 1137' left of centerline, up to 106' AGL/2108' MSL.

Tree 4726' from DER, 1558' left of centerline, 136' AGL/2133' MSL.

CON'T

TAKEOFF MINIMUMS, (OBSTACLE) DEPARTURE PROCEDURES, AND DIVERSE VECTOR AREA (RADAR VECTORS)

24025

TAKEOFF MINIMUMS, (OBSTACLE) DEPARTURE PROCEDURES, AND DIVERSE VECTOR AREA (RADAR VECTORS)

24025

SPOKANE, WA (CON'T)

FELTS FLD (SFF) (CON'T)

Rwy 4L (CON'T), trees beginning 4728' from DER, 384' left of centerline, up to 129' AGL/2143' MSL.
Trees beginning 5282' from DER, 607' left of centerline, up to 117' AGL/2171' MSL.
Tree, building, vehicles on road beginning 5631' from DER, 765' left of centerline, up to 113' AGL/2174' MSL.
Trees, building beginning 1 NM from DER, 1177' left of centerline, up to 65' AGL/2193' MSL.
Trees building beginning 1.1 NM from DER, 970' left of centerline, up to 94' AGL/2292' MSL.
Trees beginning 1.2 NM from DER, 899' left of centerline, up to 116' AGL/2336' MSL.
Trees beginning 1.3 NM from DER, 927' left of centerline, up to 120' AGL/2346' MSL.
Trees beginning 1.4 NM from DER, 869' left of centerline, up to 96' AGL/2353' MSL.
Trees, buildings, terrain beginning 1.5 NM from DER, 508' left of centerline, up to 85' AGL/2390' MSL.
Buildings, trees beginning 1.6 NM from DER, 851' left of centerline, up to 40' AGL/2461' MSL.
Trees, buildings, terrain beginning 1.7 NM from DER, 706' left of centerline, up to 59' AGL/2509' MSL.
Trees, buildings, transmission lines, poles, terrain beginning 2 NM from DER, 14' left of centerline, up to 77' AGL/2522' MSL.
Trees beginning 2.3 NM from DER, 37' right of centerline, up to 2344' MSL.
Trees beginning 2.4 NM from DER, 12' right of centerline, up to 102' AGL/2432' MSL.
Trees, transmission lines, poles, terrain beginning 2.5 NM from DER, 83' right of centerline, up to 125' AGL/2494' MSL.
Rwy 4R, light poles beginning 20' from DER, 389' left of centerline, up to 2' AGL/1959' MSL.
Buildings, utility building beginning 85' from DER, 341' right of centerline, up to 19' AGL/1971' MSL.
Buildings, beginning 203' from DER, 284' right of centerline, up to 21' AGL/1974' MSL.
Buildings, beginning 303' from DER, 274' right of centerline, up to 22' AGL/1975' MSL.
Buildings, beginning 622' from DER, 276' right of centerline, up to 27' AGL/1981' MSL.
NAVAID, building beginning 920' from DER, 270' right of centerline, up to 33' AGL/1987' MSL.
Trees, buildings, pole beginning 931' from DER, 257' right of centerline, up to 82' AGL/2036' MSL.
Trees beginning 1854' from DER, 169' right of centerline, up to 91' AGL/2045' MSL.
Trees beginning 1941' from DER, 86' right of centerline, up to 105' AGL/2059' MSL.
Trees beginning 2300' from DER, 253' right of centerline, up to 113' AGL/2064' MSL.
Trees beginning 2827' from DER, 584' right of centerline, up to 115' AGL/2065' MSL.
Tree 3621' from DER, 127' left of centerline, 105' AGL/2053' MSL.
Tree 4580' from DER, 1638' left of centerline, 112' AGL/2076' MSL.
Trees beginning 4730' from DER, 843' left of centerline, up to 92' AGL/2087' MSL.
Tree 4883' from DER, 946' left of centerline, 2089' MSL.
Trees beginning 4900' from DER, 885' left of centerline, up to 105' AGL/2099' MSL.
Trees beginning 5012' from DER, 870' left of centerline, up to 92' AGL/2109' MSL.
Trees beginning 5292' from DER, 1108' left of centerline, up to 112' AGL/2121' MSL.
Trees beginning 5401' from DER, 1268' left of centerline, up to 125' AGL/2134' MSL.
Trees beginning 5500' from DER, 1720' left of centerline, up to 125' AGL/2139' MSL.
Trees beginning 5620' from DER, 1266' left of centerline, up to 112' AGL/2146' MSL.
Trees beginning 5987' from DER, 1868' left of centerline, up to 125' AGL/2154' MSL.
Trees beginning 1.1 NM from DER, 1471' left of centerline, up to 94' AGL/2292' MSL.
Trees beginning 1.2 NM from DER, 1401' left of centerline, up to 106' AGL/2321' MSL.
Trees, building, beginning 1.3 NM from DER, 1010' left of centerline, up to 111' AGL/2327' MSL.
Trees, buildings, terrain beginning 1.5 NM from DER, 1019' left of centerline, up to 101' AGL/2332' MSL.
Trees, buildings beginning 1.6 NM from DER, 1646' left of centerline, up to 73' AGL/2372' MSL.
Buildings, trees beginning 1.7 NM from DER, 1694' left of centerline, up to 27' AGL/2377' MSL.
Trees, buildings, terrain beginning 1.8 NM from DER, 2010' left of centerline, up to 57' AGL/2451' MSL.
Buildings, trees, terrain beginning 1.9 NM from DER, 2005' left of centerline, up to 55' AGL/2470' MSL.
Trees, buildings, transmission lines, poles, terrain, vegetation beginning 2 NM from DER, 34' left of centerline, up to 94' AGL/2522' MSL.
Trees 2.4 NM from DER, 13' right of centerline, 102' AGL/2432' MSL.
Trees, transmission lines, poles, terrain beginning 2.5 NM from DER, 103' right of centerline, up to 125' AGL/2494' MSL.
Rwy 22L, signs beginning 41' from DER, 75' left of centerline, up to 3' AGL/1954' MSL.
Sign 96' from DER, 73' right of centerline, 3' AGL/1953' MSL.
Sign 114' from DER, 236' left of centerline, 3' AGL/1955' MSL.
Pole, building beginning 123' from DER, 473' left of centerline, up to 27' AGL/1979' MSL.
Buildings beginning 450' from DER, 458' left of centerline, up to 43' AGL/1996' MSL.
Building 539' from DER, 432' left of centerline, 44' AGL/1997' MSL.
Building 605' from DER, 433' left of centerline, 45' AGL/1998' MSL.
Trees, buildings, vehicles on the road, light poles, poles beginning 658' from DER, 291' left of centerline, up to 2008' MSL.
Trees beginning 1126' from DER, 488' left of centerline, up to 59' AGL/2012' MSL.
Trees, poles, transmission line, building beginning 1215' from DER, 172' left of centerline, up to 71' AGL/2024' MSL.
Trees, pole beginning 2078' from DER, 206' left of centerline, up to 92' AGL/2043' MSL.
Building, elevators beginning 4482' from DER, 574' left of centerline, up to 134' AGL/2084' MSL.
Rwy 22R, fence, vehicles on road, NAVAID beginning 1' from DER, 121' right of centerline, up to 6' AGL/1949' MSL.
Signs, NAVAID beginning 36' from DER, 117' left of centerline, up to 3' AGL/1953' MSL.
Vehicles on road 187' from DER, 446' right of centerline, 1954' MSL.
Trees beginning 191' from DER, 500' right of centerline, up to 1975' MSL.
Building 202' from DER, 496' left of centerline, 18' AGL/1969' MSL.
Building 210' from DER, 501' left of centerline, 22' AGL/1973' MSL.
Buildings beginning 267' from DER, 507' left of centerline, up to 23' AGL/1974' MSL.
Trees, transmission lines, poles beginning 500' from DER, 64' right of centerline, up to 63' AGL/1995' MSL.
Pole, vehicles on road, buildings beginning 651' from DER, 229' left of centerline, up to 38' AGL/1987' MSL.
Tree, vehicles on road beginning 1020' from DER, 471' left of centerline, up to 40' AGL/1989' MSL.
Tower 1178' from DER, 439' left of centerline, 40' AGL/1997' MSL.

CON'T

TAKEOFF MINIMUMS, (OBSTACLE) DEPARTURE PROCEDURES, AND DIVERSE VECTOR AREA (RADAR VECTORS)

24025

NW-1

TAKEOFF MINIMUMS, (OBSTACLE) DEPARTURE PROCEDURES, AND DIVERSE VECTOR AREA (RADAR VECTORS)

24025

SPOKANE, WA (CON'T)

FELTS FLD (SFF) (CON'T)

Rwy 22R (CON'T), tree, poles, transmission line beginning 1260' from DER, 3' left of centerline, up to 51' AGL/2000' MSL.
Trees, poles, transmission line beginning 1493' from DER, 191' left of centerline, up to 70' AGL/2018' MSL.
Building, elevators, tower beginning 2643' from DER, 1072' left of centerline, up to 134' AGL/2084' MSL.

DIVERSE VECTOR AREA (RADAR VECTORS)

AMDT 1 23JUL15 (15204) (FAA)

Rwy 22L, heading as assigned by ATC; requires min. climb of 360' per NM to 3700.

Rwy 22R, heading as assigned by ATC; requires min. climb of 370' per NM to 3600.

SPOKANE INTL (GEG)

TAKEOFF MINIMUMS AND (OBSTACLE) DEPARTURE PROCEDURES

AMDT 8 15JUN23 (23166) (FAA)

DEPARTURE PROCEDURE:

Rwy 3, climbing left turn direct GEG VORTAC, thence...

Rwy 8, climbing right turn direct GEG VORTAC, thence...

Rwy 21, climb on GEG VORTAC R-035 to GEG VORTAC, thence...

Rwy 26, climbing left turn direct GEG VORTAC, thence...

...continue climb in GEG VORTAC holding pattern (hold southwest, right turns, 035° inbound) to cross GEG VORTAC at or above MEA/MCA for route of flight.

TAKEOFF OBSTACLE NOTES:

Rwy 3, tree 1089' from DER, 789' left of centerline, 2367' MSL.

Trees beginning 1315' from DER, 667' left of centerline, up to 2370' MSL.

Rwy 21, tree 2152' from DER, 1000' right of centerline, 2439' MSL.

DIVERSE VECTOR AREA (RADAR VECTORS)

AMDT 3 10SEP20 (20254) (FAA)

Rwys 3, 8, 26, heading as assigned by ATC.

Rwy 21, heading as assigned by ATC; requires min. climb of 290' per NM to 3200.

STEVENSVILLE, MT

STEVENSVILLE (32S)

TAKEOFF MINIMUMS AND (OBSTACLE) DEPARTURE PROCEDURES

AMDT 2 17MAR05 (05076) (FAA)

TAKEOFF MINIMUMS:

Rwy 12, do not exceed 210 knots until established on MSO R-163.

Rwy 30, do not exceed 210 knots until established on MSO R-160.

DEPARTURE PROCEDURE:

Rwy 12, climbing right turn via heading 335 and MSO R-163 to MSO VOR/DME climb in MSO VOR/DME holding pattern (southeast, right turn, 340° inbound) to 13000' before proceeding on course.

Rwy 30, climbing right turn via heading 025° and MSO R-160 to MSO VOR/DME Climb in MSO VOR/DME holding pattern (southeast, right turn, 340° inbound) to 13000' before proceeding on course.

SUNRIVER, OR

SUNRIVER (S21)

TAKEOFF MINIMUMS AND (OBSTACLE) DEPARTURE PROCEDURES

ORIG-B 30NOV23 (23334) (FAA)

TAKEOFF MINIMUMS:

Rwy 18, std w/min climb of 360'/NM to 6100, or 4700-3 for VCOA.

Rwy 36, std w/min climb of 240'/NM to 4900, or 4700-3 for VCOA.

DEPARTURE PROCEDURE:

Rwy 18, climb on heading 182° to 7000 before turning left direct DSD VORTAC, to cross DSD VORTAC at or above MEA for route of flight.

Rwy 36, climb direct DSD VORTAC, to cross DSD VORTAC at or above MEA for route of flight.

VCOA:

All runways, obtain ATC approval for VCOA when requesting IFR clearance. Climb in visual conditions to cross Sunriver airport at or above 8700 before proceeding on course.

TAKEOFF OBSTACLE NOTES:

Rwy 18, tree, sign beginning 11' from DER, 115' right of centerline, up to 4175' MSL.

Tree 39' from DER, 145' left of centerline, 4181' MSL.

Trees beginning 176' from DER, 273' left of centerline, up to 4207' MSL.

Tree 419' from DER, 269' right of centerline, 4187' MSL.

Trees, buildings beginning 487' from DER, 557' right of centerline, up to 4206' MSL.

Tree 1947' from DER, 404' left of centerline, 4226' MSL.

Tree 2069' from DER, 167' right of centerline, 4239' MSL.

Tree 2100' from DER, 7' right of centerline, 4240' MSL.

Tree 2154' from DER, 317' right of centerline, 4244' MSL.

Trees beginning 2334' from DER, 459' right of centerline, up to 4266' MSL.

Tree 2397' from DER, 920' right of centerline, 4272' MSL.

Tree 2784' from DER, 807' right of centerline, 4278' MSL.

CON'T

TAKEOFF MINIMUMS, (OBSTACLE) DEPARTURE PROCEDURES, AND DIVERSE VECTOR AREA (RADAR VECTORS)

24025

NW-1

TAKEOFF MINIMUMS, (OBSTACLE) DEPARTURE PROCEDURES, AND DIVERSE VECTOR AREA (RADAR VECTORS)

24025

SUNRIVER, OR (CON'T)

SUNRIVER (S21) (CON'T)

- Rwy 18 (CON'T)**, tree 4824' from DER, 462' left of centerline, 4286' MSL.
Rwy 36, fence 4' from DER, 202' right of centerline, 4' AGL/4161' MSL.
 Trees, vegetation beginning 27' from DER, 8' right of centerline, up to 4187' MSL.
 Tree 337' from DER, 174' left of centerline, 4183' MSL.
 Trees beginning 432' from DER, 85' left of centerline, up to 4204' MSL.
 Tree 739' from DER, 39' right of centerline, 4198' MSL.
 Trees beginning 743' from DER, 137' right of centerline, up to 4211' MSL.
 Tree 1468' from DER, 856' right of centerline, 4233' MSL.
 Trees beginning 1633' from DER, 857' right of centerline, up to 4245' MSL. **CON'T**

TACOMA, WA

TACOMA NARROWS (TIW)

TAKEOFF MINIMUMS AND (OBSTACLE) DEPARTURE PROCEDURES

AMDT 3 06SEP01 (01249) (FAA)

TAKEOFF MINIMUMS:

Rwy 35, 400-1 or std. with a min. climb of 210' per NM to 400'.

DEPARTURE PROCEDURE:

- Rwy 17**, turn right, climb via heading 230° to intercept OLM R-009 then direct OLM VORTAC.
Rwy 35, turn left, climb via heading 270° to intercept SEA R-230 then direct CARRO INT. Continue climb in holding (SW, right turns, 047° inbound) to MEA or assigned altitude for route of flight.

THE DALLES, OR

COLUMBIA GORGE RGNL/THE DALLES MUNI (DLS)

TAKEOFF MINIMUMS AND (OBSTACLE) DEPARTURE PROCEDURES

AMDT 3 12DEC13 (13346) (FAA)

DEPARTURE PROCEDURE:

Use DALLES DEPARTURE.

THERMOPOLIS, WY

HOT SPRINGS COUNTY (HSG)

TAKEOFF MINIMUMS AND (OBSTACLE) DEPARTURE PROCEDURES

ORIG-A 28FEB19 (19059) (FAA)

TAKEOFF MINIMUMS:

Rwy 23, std. w/min. climb of 270' per NM to 6300 or 1600-3 for VCOA.

DEPARTURE PROCEDURE:

- Rwy 5**, climb on RLY VOR/DME R-222 to RLY VOR/DME, climb in RLY holding pattern (hold North, right turn, 159° inbound) to cross RLY VOR/DME at or above MEA for route of flight.
Rwy 23, climbing left turn heading 060° and RLY VOR/DME R-207 to RLY VOR/DME, climb in RLY holding pattern (hold North, right turn, 159° inbound) to cross RLY VOR/DME at or above MEA for route of flight.

VCOA:

Rwy 23, obtain ATC approval for VCOA when requesting IFR clearance. Climb in visual conditions to cross Hot Springs County airport at or above 6300, then on RLY VOR/DME R-219 to RLY VOR/DME. Climb in RLY holding pattern (hold N, RT, 159° inbound) to cross RLY VOR/DME at or above MEA for route of flight.

TAKEOFF OBSTACLE NOTES:

- Rwy 5**, terrain 22' from DER, 261' left of centerline, 4893' MSL.
Rwy 23, terrain 10' from DER, 486' right of centerline, 4880' MSL.
 Rising terrain beginning 93' from DER, 336' right of centerline, up to 4882' MSL.
 Trees beginning 1904' from DER, 872' right of centerline, up to 64' AGL/4944' MSL.
 AAO 5.3 NM from DER, 7072' left of centerline, 200' AGL/5940' MSL.

TILLAMOOK, OR

TILLAMOOK (TMK)

TAKEOFF MINIMUMS AND (OBSTACLE) DEPARTURE PROCEDURES

AMDT 1 30JUN11 (11181) (FAA)

TAKEOFF MINIMUMS:

Rwys 1, 13, 19, NA-ATC.

DEPARTURE PROCEDURE:

Rwy 31, use FETUJ RNAV DEPARTURE.

TOLEDO, WA

ED CARLSON MEML FLD/SOUTH LEWIS COUNTY (TDO)

TAKEOFF MINIMUMS AND (OBSTACLE) DEPARTURE PROCEDURES

ORIG 18NOV10 (23278) (FAA)

DEPARTURE PROCEDURE:

Use ATASY DEPARTURE.

TAKEOFF MINIMUMS, (OBSTACLE) DEPARTURE PROCEDURES, AND DIVERSE VECTOR AREA (RADAR VECTORS)

24025

NW-1

TAKEOFF MINIMUMS, (OBSTACLE) DEPARTURE PROCEDURES, AND DIVERSE VECTOR AREA (RADAR VECTORS)

24025

TORRINGTON, WY

TORRINGTON MUNI (TOR)

TAKEOFF MINIMUMS AND (OBSTACLE) DEPARTURE PROCEDURES

ORIG-A 29DEC22 (22363) (FAA)

TAKEOFF OBSTACLE NOTES:

Rwy 2, pole 1857' from DER, 285' left of centerline, 46' AGL/4250' MSL.**Rwy 10**, light poles 39' from DER, 113' right of centerline, 2' AGL/4198' MSL.

Tree 103' from DER, 505' right of centerline, 14' AGL/4205' MSL.

Fence 104' from DER, 360' right of centerline, 8' AGL/4208' MSL.

Trees beginning 113' from DER, 379' right of centerline, up to 21' AGL/4220' MSL.

Tree, fence beginning 238' from DER, 402' right of centerline, up to 18' AGL/4221' MSL.

Rwy 20, terrain 5' from DER, 17' left of centerline, 4201' MSL.

Terrain 5' from DER, 31' right of centerline, 4201' MSL.

Rwy 28, vehicle on road 6' from DER, 47' right of centerline, 10' AGL/4215' MSL.

Vehicle on road 7' from DER, 18' left of centerline, 10' AGL/4216' MSL.

TWIN BRIDGES, MT

RUBY VALLEY FLD (RVF)

TAKEOFF MINIMUMS AND (OBSTACLE) DEPARTURE PROCEDURES

ORIG-A 31DEC20 (21336) (FAA)

TAKEOFF MINIMUMS:

Rwys 7, 25, NA-Environmental.

DEPARTURE PROCEDURE:

Rwy 17, use DILLON (RNAV) DEPARTURE.**Rwy 35**, use BRIDGES (RNAV) DEPARTURE.

TAKEOFF OBSTACLE NOTES:

Rwy 17, grd, airfield lt beginning 5' from DER, 9' left of centerline, up to 4767' MSL.

Airfield lt 9' from DER, 10' right of centerline, 2' AGL/4762' MSL.

Rwy 35, airfield lt 10' from DER, 9' right of centerline, 2' AGL/4791' MSL.

Airfield lt 10' from DER, 10' left of centerline, 2' AGL/4791' MSL.

Fence beginning 188' from DER, 296' right of centerline, up to 3' AGL/4807' MSL.

Pole 499' from DER, 607' left of centerline, 34' AGL/4808' MSL.

Vehicle on secondary rd beginning 643' from DER, 492' right of centerline, 4817' MSL.

Vehicle on secondary rd beginning 1193' from DER, 503' right of centerline, up to 4831' MSL.

Pole 1319' from DER, 612' right of centerline, 34' AGL/4849' MSL.

Pole 1431' from DER, 754' right of centerline, 30' AGL/4851' MSL.

TWIN FALLS, ID

JOSLIN FLD/MAGIC VALLEY RGNL (TWF)

TAKEOFF MINIMUMS AND (OBSTACLE) DEPARTURE PROCEDURES

AMDT 3 17OCT13 (21336) (FAA)

TAKEOFF MINIMUMS:

Rwy 12, NA-Obstacles.

DEPARTURE PROCEDURE:

Rwy 26, aircraft departing on TWF VORTAC R-240 CW 080° climb on course. All others climb heading 258° to 6000 then climbing right turn direct TWF VORTAC. Climb in holding pattern (hold NW, right turns, 113° inbound) to MCA or MEA for direction of flight.**Rwy 8**, aircraft departing on TWF VORTAC R-260 CW 080° climb on course. All others climb heading 078° to 6000 then climbing right turn direct TWF VORTAC. Climb in holding pattern (hold NW, right turns, 113° inbound) to MCA or MEA for direction of flight.**Rwy 30**, aircraft departing on TWF VORTAC R-240 CW 080° climb on course. All others climb heading 303° to 6000 then climbing right turn direct TWF VORTAC. Climb in holding pattern (hold NW, right turns, 113° inbound) to MCA or MEA for direction of flight.

TAKEOFF OBSTACLE NOTES:

Rwy 30, tree 1184' from DER, 751' right of centerline, 71' AGL/4149' MSL.

22 FEB 2024 to 21 MAR 2024

22 FEB 2024 to 21 MAR 2024

TAKEOFF MINIMUMS, (OBSTACLE) DEPARTURE PROCEDURES, AND DIVERSE VECTOR AREA (RADAR VECTORS)

24025

NW-1

TAKEOFF MINIMUMS, (OBSTACLE) DEPARTURE PROCEDURES, AND DIVERSE VECTOR AREA (RADAR VECTORS)

24025

VANCOUVER, WA

PEARSON FLD (VUO)

TAKEOFF MINIMUMS AND (OBSTACLE) DEPARTURE PROCEDURES

AMDT 4 08NOV18 (21168) (FAA)

TAKEOFF MINIMUMS:

Rwy 8, 500-3 or std. w/min. climb of 440' per NM to 600.

Rwy 26, 600-3.

DEPARTURE PROCEDURE:

Rwy 8, climb heading 082° to 600, then climbing left turn direct BTG VORTAC, thence...

Rwy 26, climb heading 262° to 700, then climbing right turn direct BTG VORTAC, thence...

...continue climb in BTG VORTAC holding pattern (hold northwest, right turns, 149° inbound) to cross BTG VORTAC at or above MEA/MCA for route of flight.

TAKEOFF OBSTACLE NOTES:

Rwy 8, building 365' from DER, 62' left of centerline, 24' AGL/54' MSL.

Sign 1079' from DER, 163' right of centerline, 30' AGL/58' MSL.

Building, antenna beginning 1408' from DER, 276' left of centerline, up to 44' AGL/73' MSL.

Trees beginning 4121' from DER, 1584' left of centerline, 85' AGL/225' MSL.

Trees beginning 5751' from DER, 2009' left of centerline, 85' AGL/235' MSL.

Trees beginning 1 NM from DER, 2167' left of centerline, 85' AGL/325' MSL.

Trees beginning 1.1 NM from DER, 2119' left of centerline, 85' AGL/355' MSL.

Tree, tower beginning 1.2 NM from DER, 645' left of centerline, up to 435' MSL.

Tree 2.5 NM from DER, 833' left of centerline, 415' MSL.

Rwy 26, pole and tower beginning 1617' from DER, 37' left of centerline, up to 30' AGL/86' MSL.

Building 2467' from DER, 127' left of centerline, 84' AGL/117' MSL.

Bridge 2704' from DER, 586' left of centerline, 243' AGL/248' MSL.

Building 3526' from DER, 1136' right of centerline, 107' AGL/147' MSL.

Building and crane beginning 1.3 NM from DER, 2564' right of centerline, up to 339' AGL/376' MSL.

Transmission line 2.4 NM from DER, 2038' right of centerline, 516' AGL/537' MSL.

WALLA WALLA, WA

WALLA WALLA RGNL (ALW)

TAKEOFF MINIMUMS AND (OBSTACLE) DEPARTURE PROCEDURES

AMDT 5 08SEP22 (22251) (FAA)

TAKEOFF MINIMUMS:

Rwy 2, 300-1% w/min. climb of 236' per NM to 2000 or std. w/min. climb of 374' per NM to 1500 or 2900-3 for VCOA.

DEPARTURE PROCEDURE:

Rwy 2, climbing left turn to 2500 on ALW VOR/DME R-201, then climbing right turn direct ALW VOR/DME to cross ALW VOR/DME at or above MEA or MCA for route of flight.

Rwy 20, climb on ALW VOR/DME R-201 to 2500, then climbing right turn direct ALW VOR/DME to cross ALW VOR/DME at or above MEA or MCA for route of flight.

VCOA:

Rwy 2, obtain ATC approval for VCOA when requesting IFR clearance. Climb in visual conditions to cross Walla Walla Rgnl airport at or above 2500 before proceeding on course.

TAKEOFF OBSTACLE NOTES:

Rwy 2, ridgeline 61' from DER, 186' right of centerline, 1197' MSL.

Ridgelines beginning 72' from DER, 164' right of centerline, up to 1198' MSL.

Vehicles on road beginning 345' from DER, 115' left of centerline, up to 1207' MSL.

Vertical structure 5515' from DER, 1784' right of centerline, 1405' MSL.

Vertical structure 1.2 NM from DER, 1982' right of centerline, 1449' MSL.

Rwy 20, ridgelines beginning 13' from DER, 189' left of centerline, up to 1156' MSL.

Ridgeline 77' from DER, 383' left of centerline, 1157' MSL.

Sign 142' from DER, 444' left of centerline, 4' AGL/1160' MSL.

Vehicle on road 471' from DER, 219' left of centerline, 1167' MSL.

22 FEB 2024 to 21 MAR 2024

22 FEB 2024 to 21 MAR 2024

TAKEOFF MINIMUMS, (OBSTACLE) DEPARTURE PROCEDURES, AND DIVERSE VECTOR AREA (RADAR VECTORS)

24025

NW-1

TAKEOFF MINIMUMS, (OBSTACLE) DEPARTURE PROCEDURES, AND DIVERSE VECTOR AREA (RADAR VECTORS)

24025

WEISER, ID

WEISER MUNI (S87)

TAKEOFF MINIMUMS AND (OBSTACLE) DEPARTURE PROCEDURES

AMDT 1 07OCT21 (21280) (FAA)

TAKEOFF MINIMUMS:

Rwy 12, std. w/min. climb of 310' per NM to 4300 or 2900-3 for VCOA.

Rwy 30, std. w/min. climb of 360' per NM to 7500 or 2900-3 for VCOA.

DEPARTURE PROCEDURE:

Rwy 12, climb on heading 121° to 4300 before proceeding on course.

Rwy 30, climb on heading 301° to 7500 before proceeding on course.

VCOA:

All runways, obtain ATC approval for VCOA when requesting IFR clearance. Climb in visual conditions to cross Weiser Muni airport at or above 4900 before proceeding on course.

TAKEOFF OBSTACLE NOTES:

Rwy 12, NAVAID 40' from DER, 70' right of centerline, 3' AGL/2124' MSL.

NAVAID 40' from DER, 70' left of centerline, 4' AGL/2124' MSL.

Vehicle on road, beginning 183' from DER, 213' right of centerline, up to 2134' MSL.

Tree 442' from DER, 597' left of centerline, 2139' MSL.

Poles, building beginning 477' from DER, 481' left of centerline, up to 35' AGL/2154' MSL.

Trees, elevator beginning 532' from DER, 553' left of centerline, up to 2165' MSL.

Tree 4067' from DER, 1199' left of centerline, 2229' MSL.

Rwy 30, NAVAID 40' from DER, 70' left of centerline, 7' AGL/2115' MSL.

Vegetation, fence beginning 75' from DER, 199' right of centerline, up to 2117' MSL.

Fence 129' from DER, 295' left of centerline, 10' AGL/2118' MSL.

Vehicle on road, beginning 139' from DER, 483' left of centerline, up to 2127' MSL.

Vehicle on road 205' from DER, 456' right of centerline, 2123' MSL.

Tree 444' from DER, 593' left of centerline, 2153' MSL.

Tree 735' from DER, 304' left of centerline, 2170' MSL.

Tree 1468' from DER, 771' right of centerline, 2180' MSL.

WENATCHEE, WA

PANGBORN MEML (EAT)

TAKEOFF MINIMUMS AND (OBSTACLE) DEPARTURE PROCEDURES

AMDT 5 10NOV16 (21112) (FAA)

DEPARTURE PROCEDURE:

Use WENATCHEE DEPARTURE.

WEST YELLOWSTONE, MT

YELLOWSTONE (WYS)

TAKEOFF MINIMUMS AND (OBSTACLE) DEPARTURE PROCEDURES

AMDT 2 09FEB12 (12040) (FAA)

DEPARTURE PROCEDURE:

Use TARGY DEPARTURE.

WHEATLAND, WY

PHIFER AIRFIELD (EAN)

TAKEOFF MINIMUMS AND (OBSTACLE) DEPARTURE PROCEDURES

AMDT 1 30JAN20 (20030) (FAA)

DEPARTURE PROCEDURE:

Use SLATR (RNAV) departure.

TAKEOFF OBSTACLE NOTES:

Rwy 26, vehicles on road 7' from DER, 153' right of centerline, 4781' MSL.

Buildings, pole, fence, vertical point beginning 18' from DER, 186' left of centerline, up to 17' AGL/4796' MSL.

Vehicles on road 60' from DER, 150' right of centerline, 4786' MSL.

Trees, vehicles on road beginning 61' from DER, 151' right of centerline, up to 4814' MSL.

Pole, fence, terrain, tank, vehicles on road, tree beginning 149' from DER, 137' left of centerline, up to 25' AGL/4804' MSL.

Trees, poles beginning 365' from DER, 7' right of centerline, up to 4823' MSL.

Poles beginning 562' from DER, 353' left of centerline, up to 38' AGL/4817' MSL.

Trees, poles, buildings, transmission lines beginning 779' from DER, 38' left of centerline, up to 4825' MSL.

Trees, transmission lines, poles beginning 1121' from DER, 18' left of centerline, up to 4838' MSL.

Trees, pole, transmission line beginning 1192' from DER, 26' right of centerline, up to 4827' MSL.

Trees beginning 1328' from DER, 51' right of centerline, up to 4834' MSL.

Trees beginning 1552' from DER, 55' right of centerline, up to 4837' MSL.

Tree 1627' from DER, 73' left of centerline, 4842' MSL.

TAKEOFF MINIMUMS, (OBSTACLE) DEPARTURE PROCEDURES, AND DIVERSE VECTOR AREA (RADAR VECTORS)

24025

NW-1

TAKEOFF MINIMUMS, (OBSTACLE) DEPARTURE PROCEDURES, AND DIVERSE VECTOR AREA (RADAR VECTORS)

24025

WHIDBEY ISLAND NAS (AULT FIELD) (KNUW)

OAK HARBOR, WA

TAKEOFF MINIMUMS AND (OBSTACLE) DEPARTURE PROCEDURES

AMDT 1 21MAY20 (20142)

DEPARTURE PROCEDURE:

Rwy 7, diverse departure NA.**Rwy 14**, diverse departure authorized 135° to 310° CW, requires CG 228 to 800.**Rwy 25**, diverse departure authorized 120° to 330° CW.**Rwy 32**, diverse departure NA.**All Rwys**, use NASWI TWO (OBSTACLE) DEPARTURE.

TAKEOFF OBSTACLE NOTES:

Rwy 7, terrain 1901' from DER, 1009' right of cntrln, 75' MSL.

Terrain 1983' from DER, 1004' right of cntrln, 75' MSL.

Terrain 1903' from DER, 999' right of cntrln, 75' MSL.

Rwy 14, terrain 1238' from DER, 1007' left of cntrln, 82' MSL.

Terrain 1172' from DER, 1000' left of cntrln, 82' MSL.

Terrain 1153' from DER, 1005' left of cntrln, 82' MSL.

DIVERSE VECTOR AREA (RADAR VECTORS)

ORIG 21MAY20 (20142) (FAA)

Rwy 14, headings as assigned by ATC; requires min. climb of 247 FT/NM to 5800.**Rwy 25**, headings as assigned by ATC; requires min. climb of 242 FT/NM to 5200.

WILBUR, WA

WILBUR (2S8)

TAKEOFF MINIMUMS AND (OBSTACLE) DEPARTURE PROCEDURES

ORIG 07MAR13 (13066) (FAA)

DEPARTURE PROCEDURE:

Rwys 2, 20, use WIPES (RNAV) DEPARTURE.

WORLAND, WY

WORLAND MUNI (WRL)

TAKEOFF MINIMUMS AND (OBSTACLE) DEPARTURE PROCEDURES

AMDT 2 20SEP12 (12264) (FAA)

TAKEOFF MINIMUMS:

Rwys 4, 10, 22, 28, NA-Environmental.**Rwy 16**, 300-1½ or std. w/min. climb of 212' per NM to 4500.

DEPARTURE PROCEDURE:

Rwy 16, climb heading 156° to 5000, then climbing right turn direct RLY VOR/DME. Thence ...**Rwy 34**, climb heading 336° to 5000, then climbing left turn direct RLY VOR/DME. Thence ...

... Continue climb in RLY VOR/DME holding pattern, (hold N, right turns, 159° inbound) to cross RLY VOR/DME at or above the MEA For route of flight.

TAKEOFF OBSTACLE NOTES:

Rwy 16, road beginning 267' from DER, 17' right and 51' left of centerline, up to 4348' MSL.

Pole 661' from DER, 397' right of centerline, 15' AGL/4287' MSL.

Pole 183' from DER, 197' right of centerline, 5' AGL/4273' MSL.

Poles beginning 6344' from DER, left and right of centerline, 48' AGL/4421' MSL.

Light 10' from DER, 30' left of centerline, 2' AGL/4253' MSL.

REIL 40' from DER, 90' right of centerline, 2' AGL/4253' MSL.

Rwy 34, sign 16' from DER, 200' right of centerline, 1' AGL/4175' MSL.

Road 63' from DER, 486' left of centerline, 4182' MSL.

Road 86' from DER, 509' left of centerline, 4183' MSL.

Tower 288' from DER, 540' right of centerline, 37' AGL/4211' MSL.

Antenna on RTR tower 318' from DER, 550' right of centerline, 52' AGL/4226' MSL.

Rod on DF antenna 327' from DER, 505' left of centerline, 15' AGL/4189' MSL.

Pole 483' from DER, 535' right of centerline, 44' AGL/4218' MSL.

Trees beginning 700' from DER, 648' right of centerline, up to 64' AGL/4238' MSL.

YAKIMA, WA

YAKIMA AIR TRML/MCALLISTER FLD (YKM)

TAKEOFF MINIMUMS AND (OBSTACLE) DEPARTURE PROCEDURES

AMDT 5 13JAN11 (21112) (FAA)

DEPARTURE PROCEDURE:

Use ZILLA DEPARTURE.

22 FEB 2024 to 21 MAR 2024

22 FEB 2024 to 21 MAR 2024

TAKEOFF MINIMUMS, (OBSTACLE) DEPARTURE PROCEDURES, AND DIVERSE VECTOR AREA (RADAR VECTORS)

24025

NW-1