

WAAS CH 69232 W34A	APP CRS 319°	Rwy Idg 3421 TDZE 14 Apt Elev 14
--	------------------------	---

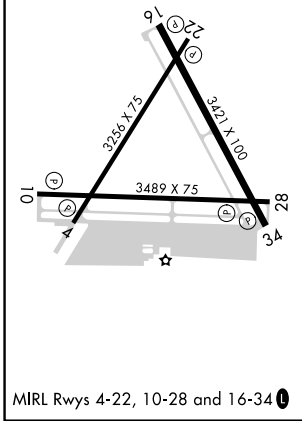
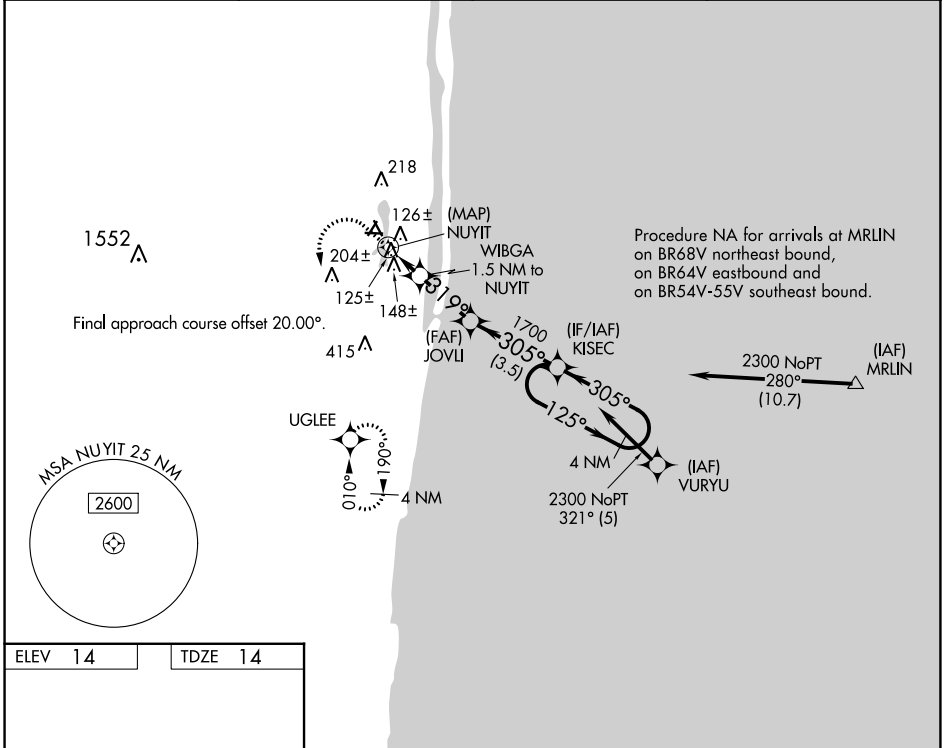
RNAV (GPS) RWY 34

PALM BEACH COUNTY PARK (L.N.A)

▼ DME/DME RNP-0.3 NA. Rwy 34 helicopter visibility reduction below 1 SM NA. Circling to Rwy 4, 16, 22, 28 NA at night. Straight-in Rwy 34 NA at night, Circling Rwy 34 NA at night.

MISSED APPROACH: (Do not exceed 200K until UGLEE) Climb to 700 then climbing left turn to 2000 direct UGLEE and hold.

AWOS-3PT 119.925	PALM BEACH APP CON 127.35 343.6	CINC DEL 127.35	UNICOM 122.7 (CTAF) 0
----------------------------	---	---------------------------	---------------------------------



700	2000	UGLEE	Visual Segment - Obstacles.	4 NM Holding Pattern
↑	↻	✦	WIBGA 1.5 NM to NUYIT	KISEC
			JOVLI	125° → 2300
			NUYIT	← 305°
			800	1700
			0.5	1.5 NM
			2.4 NM	3.5 NM
CATEGORY	A	B	C	D
LP MDA	380-1 366 (400-1)			NA
LNAV MDA	400-1	386 (400-1)	400-1 ¹ / ₈ 386 (400-1 ¹ / ₈)	NA
C CIRCLING	460-1 446 (500-1)	520-1 506 (600-1)	580-1 ¹ / ₂ 566 (600-1 ¹ / ₂)	NA

SE-3, 30 NOV 2023 to 28 DEC 2023

SE-3, 30 NOV 2023 to 28 DEC 2023

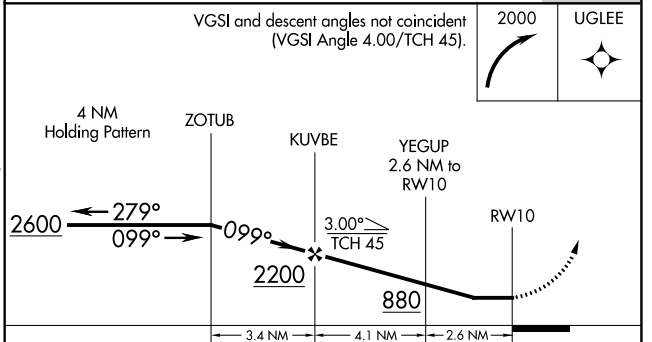
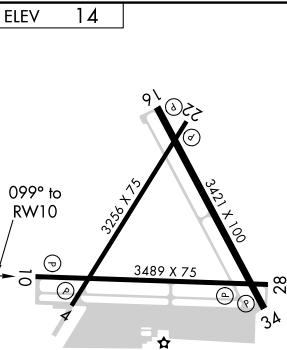
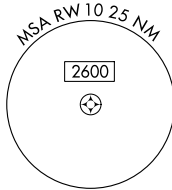
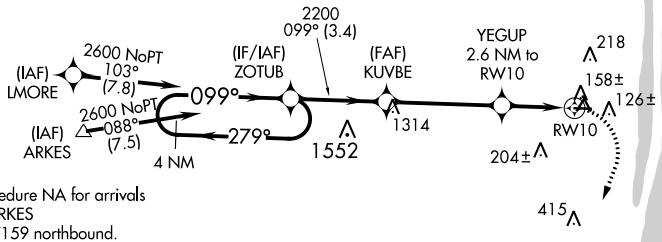
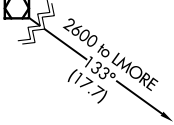
APP CRS	Rwy Idg	NA
099°	TDZE	NA
	Apt Elev	14

RNAV (GPS)-A

PALM BEACH COUNTY PARK (L.N.A)

<p>▼ DME/DME RNP-0.3 NA. Rwy 10 helicopter visibility reduction below ¼ SM NA. Circling to Rwy's 4, 16, 22, 28, 34 NA at night.</p>		<p>MISSED APPROACH: (Do not exceed 210K until turn completion) Climbing right turn to 2000 direct UGLEE and hold.</p>	
AWOS-3PT 119.925	PALM BEACH APP CON 127.35 343.6	CLNC DEL 127.35	UNICOM 122.7 (CTAF) 0

PAHOKEE PHK
Procedure NA for arrival on PHK VOR/DME airway radials 115 CW 211.



CATEGORY	A	B	C	D
CIRCLING	460-1 446 (500-1)	520-1 506 (600-1)	580-1½ 566 (600-1½)	NA

SE-3, 30 NOV 2023 to 28 DEC 2023

SE-3, 30 NOV 2023 to 28 DEC 2023

APP CRS	Rwy Idg	NA
279°	TDZE	NA
	Apt Elev	14

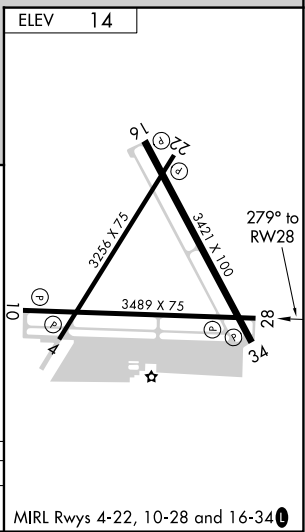
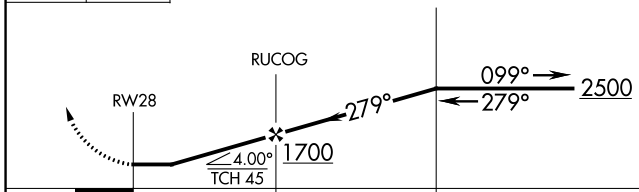
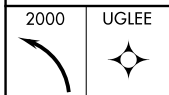
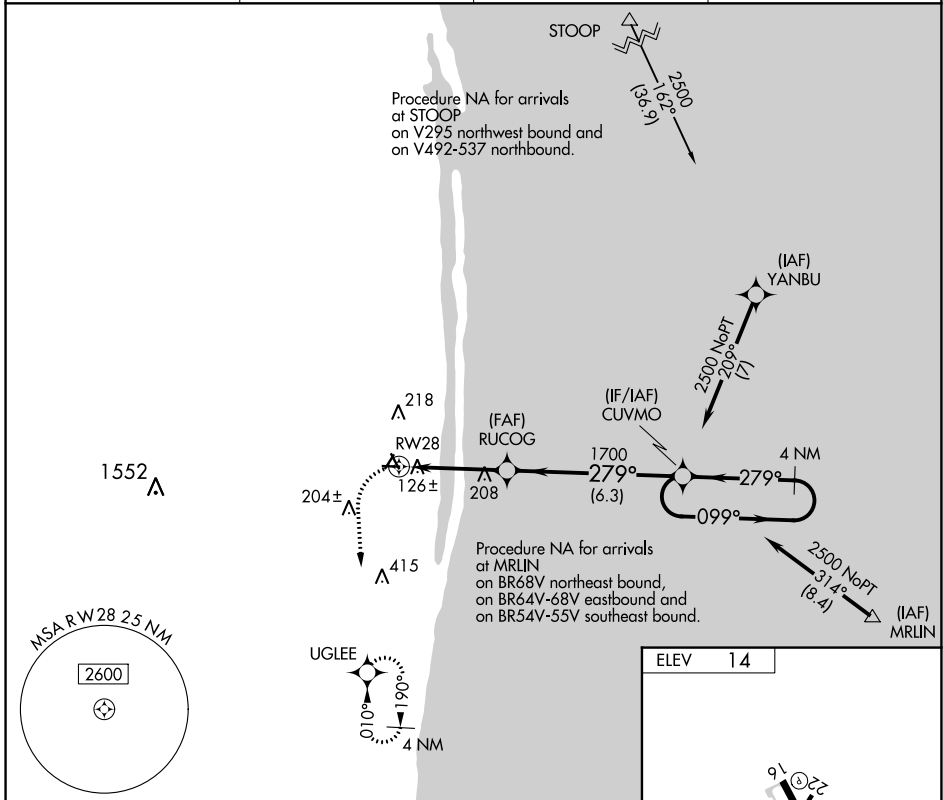
RNAV (GPS)-B

PALM BEACH COUNTY PARK (L.N.A)

▼ DME/DME RNP-0.3 NA. Rwy 28 helicopter visibility reduction below 1 SM NA. Circling to Rwys 4, 16, 22, 28, 34 NA at night.

MISSED APPROACH: (Do not exceed 210K until turn completion) Climbing left turn to 2000 direct UGLEE and hold.

AWOS-3PT 119.925	PALM BEACH APP CON 127.35 343.6	CLNC DEL 127.35	UNICOM 122.7 (CTAF) 0
----------------------------	---	---------------------------	---------------------------------



CATEGORY	A	B	C	D
C CIRCLING	460-1 446 (500-1)	520-1 506 (600-1)	580-1½ 566 (600-1½)	NA

SE-3, 30 NOV 2023 to 28 DEC 2023

SE-3, 30 NOV 2023 to 28 DEC 2023