

BORRN SIX DEPARTURE (RNAV)  
(BORRN6.BORRN) 30NOV23

BAYTOWN, TEXAS  
RWJ AIRPARK (54T)

CTAF  
122.7  
HOUSTON DEP CON  
134.45 284.0

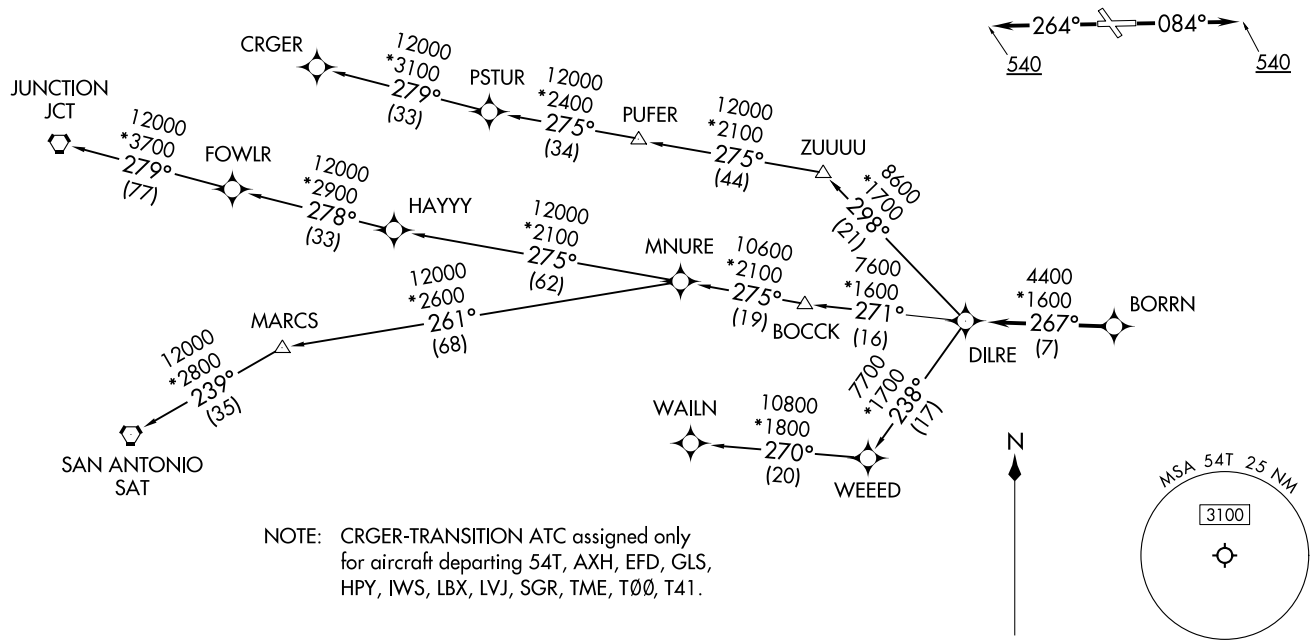
RNAV 1 - DME/DME/IRU or GPS.

RADAR required.

**TOP ALTITUDE:  
ASSIGNED BY ATC**

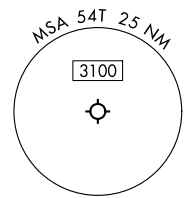
TAKEOFF MINIMUMS

Rwys 14, 32: NA - Environmental.  
Rwys 8, 26: Standard with minimum climb  
of 500'/NM to 540.



NOTE: CRGER-TRANSITION ATC assigned only  
for aircraft departing 54T, AXH, EFD, GLS,  
HPY, IWS, LBX, LVJ, SGR, TME, T00, T41.

(NARRATIVE ON FOLLOWING PAGE)



NOTE: Chart not to scale.

(BORRN6.BORRN) 23334  
BORRN SIX DEPARTURE (RNAV)

BAYTOWN, TEXAS  
RWJ AIRPARK (54T)

AL6674 (FAA)

# BORRN SIX DEPARTURE (RNAV)



## DEPARTURE ROUTE DESCRIPTION

TAKEOFF RUNWAY 8: Climb on heading 084° to 540, for RADAR vectors to BORRN, thence. . . .

TAKEOFF RUNWAY 26: Climb on heading 264° to 540, for RADAR vectors to BORRN, thence. . . .

. . . .on track 267° to DILRE, then on (transition). Maintain ATC assigned altitude. Expect filed altitude 10 minutes after departure.

CRGER TRANSITION (BORRN6.CRGER)

JUNCTION TRANSITION (BORRN6.JCT)

MNURE TRANSITION (BORRN6.MNURE)

SAN ANTONIO TRANSITION (BORRN6.SAT)

WAILN TRANSITION (BORRN6.WAILN)

SC-5, 22 FEB 2024 to 21 MAR 2024

SC-5, 22 FEB 2024 to 21 MAR 2024